

Instructions for Parts Books

The heading at the top of the page will be the same for the picture of the parts as it is for the page with the part numbers.

Definition of column headings on part number pages:

REF.No → The number referring to the part on the picture page of the parts book.

Part No. → The number assigned to this part at the time of printing the parts book.

Description → Description of part.

Q'ty → Quantity of part used on that page.

S.No. → Serial number range of the equipment that this part will fit.

>= Your serial number should be greater than or equal to the number shown.

<= Your serial number should be lesser than or equal to the serial number shown.

I/C → Interchangeability of part shown.

↔ The part shown will work for the older and later serial number.

The part shown is not interchangeable with the other serial number.

← new for old

→ old for new

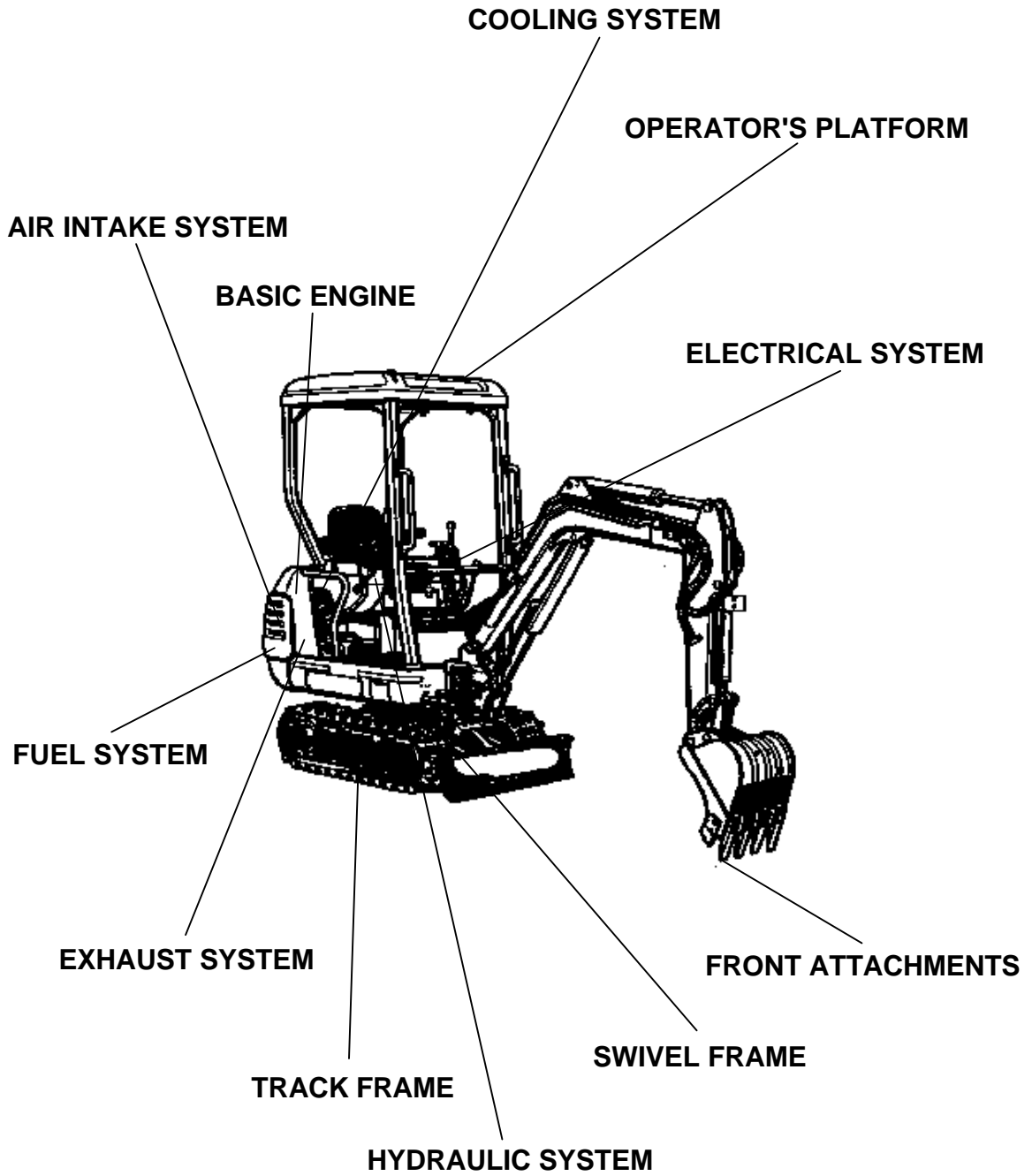
Remarks → Notes about this particular part. Sometimes this may say except [FR] or [CA]

Note about Country Codes:

The parts books we use in the United States of America may also contain information about a part that would be different in another country. It is important that you are aware of the country codes in some instances.

Symbol	Country
A	United States of America
CA	Canada
FR	France
GR	Greece
PO	Portugal
AU	Australia

If the remarks column says for example EXCEPT [FR] this part works in all countries except France. That means it will work here in the USA.



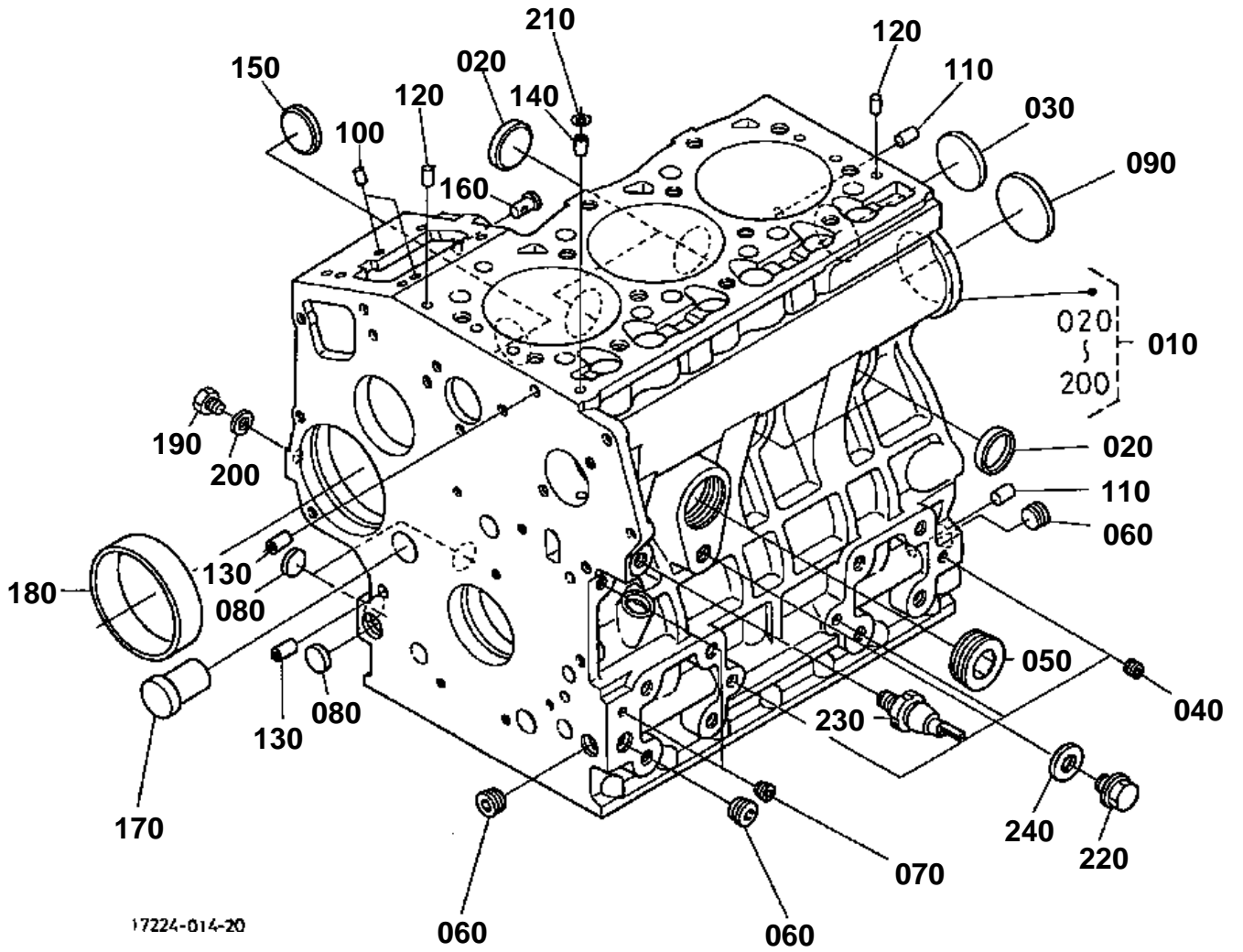
ACCESSORIES

Item	Part No.	Description	Book
BASIC ENGINE	01S001	CRANKCASE	100A0198
	01S002	OIL PAN	100A0198
	01S003	PISTON,CRANKSHAFT	100A0198
	01S004	MAIN BEARING CASE	100A0198
	01S005	CAMSHAFT	100A0198
	01S006	CYLINDER HEAD	100A0198
	01S007	VALVE AND ROCKER ARM	100A0198
	01S008	HEAD COVER	100A0198
	01S009	GEAR CASE	100A0198
FUEL SYSTEM	01S013	NOZZLE HOLDER,GLOW PLUG	100A0198
	01S014	NOZZLE HOLDER [COMPONENT PARTS]	100A0198
	01S015	SPEED CONTROL PLATE	100A0198
	01S016	STOP SOLENOID	100A0198
	01S017	GOVERNOR	100A0198
	01S018	INJECTION PUMP	100A0198
	01S019	INJECTION PUMP [COMPONENT PARTS]	100A0198
	01S020	FUEL CAMSHAFT	100A0198
	COOLING SYSTEM	01S025	WATER FLANGE
01S026		WATER PUMP	100A0198
ELECTRICAL SYSTEM	01S029	FLYWHEEL,STARTER	100A0198
	01S030	STARTER [COMPONENT PARTS]	100A0198
	01S031	ALTERNATOR	100A0198
	01S032	ALTERNATOR [COMPONENT PARTS]	100A0198
BASIC ENGINE	02S010	ENGINE BRACKET	100A0198
AIR INTAKE SYSTEM	02S011	AIR CLEANER,INLET MANIFOLD	100A0198
EXHAUST SYSTEM	02S012	MUFFLER,EXHAUST MANIFOLD	100A0198
FUEL SYSTEM	02S021	ACCEL LEVER	100A0198
	02S022	FUEL PIPING	100A0198
	02S023	FUEL FILTER [COMPONENT PARTS]	100A0198
	02S024	FUEL TANK	100A0198
	COOLING SYSTEM	02S027	RADIATOR
02S028		WATER PIPE	100A0198
ELECTRICAL SYSTEM	02S033	BATTERY	100A0198
	02S034	TIMER,HORN	100A0198
	02S035	SWITCH,METER	100A0198
	02S036	ELECTRICAL WIRING	100A0198
HYDRAULIC SYSTEM	02S037	PUMP HOUSING	100A0198
	02S038	GEAR PUMP AND COMPONENT PARTS	100A0198
	02S039	HYDRAULIC PUMP AND COMPONENT PARTS	100A0198
	02S040-1	DRIVE MOTOR AND COMPONENT PARTS (1)	100A0198
	02S040-2	DRIVE MOTOR AND COMPONENT PARTS (2)	100A0198
	02S041	SWIVEL MOTOR AND COMPONENT PARTS	100A0198
	02S042	ROTARY JOINT	100A0198
	02S043	OIL TANK	100A0198
	02S044	CONTROL VALVE	100A0198
	02S045	CONTROL VALVE [COMPONENT PARTS]	100A0198
	02S046	SPOOL SECTION (BOOM)	100A0198
	02S047	SPOOL SECTION (BUCKET)	100A0198
	02S048	SPOOL SECTION (TRAVL RH)	100A0198
	02S049	SPOOL SECTION (TRAVEL STRAIGHT)	100A0198
	02S050	SPOOL SECTION (S/P)	100A0198
	02S051	SPOOL SECTION (TRAVEL LH)	100A0198
	02S052	SPOOL SECTION (ARM)	100A0198
	02S053	SPOOL SECTION (SPACER)	100A0198
	02S054	SPOOL SECTION (SWING)	100A0198
	02S055	SPOOL SECTION (BLADE)	100A0198
	02S056	SPOOL SECTION (SWIVEL)	100A0198
	02S057	CHANGE VALVE	100A0198
02S058	CHANGE VALVE [COMPONENT PARTS]	100A0198	

Item	Part No.	Description	Book
HYDRAULIC SYSTEM	02S059-1	MULTI VALVE	100A0198
	02S059-2	TPSS VALVE	100A0198
	02S060-1	MULTI VALVE [COMPONENT PARTS]	100A0198
	02S060-2	TPSS VALVE [COMPONENT PARTS]	100A0198
	02S061	CONTROL LEVER (FRAME)	100A0198
	02S062	CONTROL LEVER (LEVER LH)	100A0198
	02S063	CONTROL LEVER (LEVER RH)	100A0198
	02S064	PILOT VALVE [COMPONENT PARTS]	100A0198
	02S065	CONTROL LEVER (TRAVEL LH)	100A0198
	02S066	CONTROL LEVER (TRAVEL RH)	100A0198
	02S067	CONTROL TRAVEL PEDAL	100A0198
	02S068	CONTROL LEVER (SAFETY LOCK LEVER)	100A0198
	02S069	CONTROL PEDAL (SWIVEL/SWING CHANGE)	100A0198
	02S070-1	CONTROL LEVER (TPSS)	100A0198
	02S070-2	CONTROL LEVER (TPSS)	100A0198
	02S071	CONTROL LEVER (BLADE)	100A0198
	02S072	CONTROL LEVER (S/P 1)	100A0198
	02S073	CONTROL LEVER (S/P 2)	100A0198
	02S074	OIL PIPING (SUCTION,DELIVERY)	100A0198
	02S075	OIL PIPING (OIL RETURN)	100A0198
	02S076	OIL PIPING (OIL COOLER)	100A0198
	02S077	OIL PIPING (TRAVEL LH)	100A0198
	02S078	OIL PIPING (TRAVEL RH)	100A0198
	02S079	OIL PIPING (SWIVEL 1)	100A0198
	02S080	OIL PIPING (SWIVEL 2)	100A0198
	02S081	OIL PIPING (SWING)	100A0198
	02S082	OIL PIPING (LOOK)	100A0198
	02S083-1	OIL PIPING (BOOM 1)	100A0198
	02S083-2	OIL PIPING (BOOM 1)	100A0198
	02S083-3	OIL PIPING (BOOM 1)	100A0198
	02S084	OIL PIPING (BOOM 2)	100A0198
	02S085-1	OIL PIPING (ARM 1)	100A0198
	02S085-2	OIL PIPING (ARM 1)	100A0198
	02S085-3	OIL PIPING (ARM 1)	100A0198
	02S086	OIL PIPING (ARM 2)	100A0198
	02S087	OIL PIPING (BUCKET 1)	100A0198
	02S088	OIL PIPING (BUCKET 2)	100A0198
	02S089	OIL PIPING (BLADE)	100A0198
	02S090	OIL PIPING (CLAMP)	100A0198
	02S091	OIL PIPING (S/P)	100A0198
	02S092	BOOM CYLINDER AND COMPONENT PARTS	100A0198
	02S093	ARM CYLINDER AND COMPONENT PARTS	100A0198
	02S094	BUCKET CYLINDER AND COMPONENT PARTS	100A0198
02S095	BLADE CYLINDER AND COMPONENT PARTS	100A0198	
02S096	SWING CYLINDER AND COMPONENT PARTS	100A0198	
FRONT ATTACHMENTS	02S097	SWING BRACKET	100A0198
	02S098	BOOM	100A0198
	02S099	CYLINDER COVER (BOOM)	100A0198
	02S100	ARM	100A0198
	02S101	BUCKET LINK	100A0198
	02S102	BUCKET	100A0198
	02S103	BLADE	100A0198
TRACK FRAME	02S104	TRACK FRAME	100A0198
	02S105	IDLER	100A0198
	02S106	TRACK ROLLER	100A0198
SWIVEL FRAME	02S107	CRAWLER	100A0198
	02S108	SWIVEL FRAME	100A0198
	02S109	ARCH FRAME	100A0198
	02S110	SWIVEL BEARING	100A0198

Item	Part No.	Description	Book
SWIVEL FRAME	02S111	STEP	100A0198
	02S112	COVER (LEFT)	100A0198
	02S113	BONNET	100A0198
	02S114	SPONGE (1)	100A0198
	02S115	SPONGE (2)	100A0198
	02S116	WEIGHT	100A0198
OPERATOR'S PLATFORM	02S117	CANOPY	100A0198
	02S118	INSTRUMENT PANEL	100A0198
	02S119	SEAT	100A0198
	02S120	LIGHT	100A0198
	02S121	LABEL	100A0198
ACCESSORIES	02S122	ACCESSORIES	100A0198
	02S123	WEIGHT KIT	100A0198
	02S124	LABEL KIT	100A0198

CRANKCASE



220 15841-7302-0



220

RG108-801-10

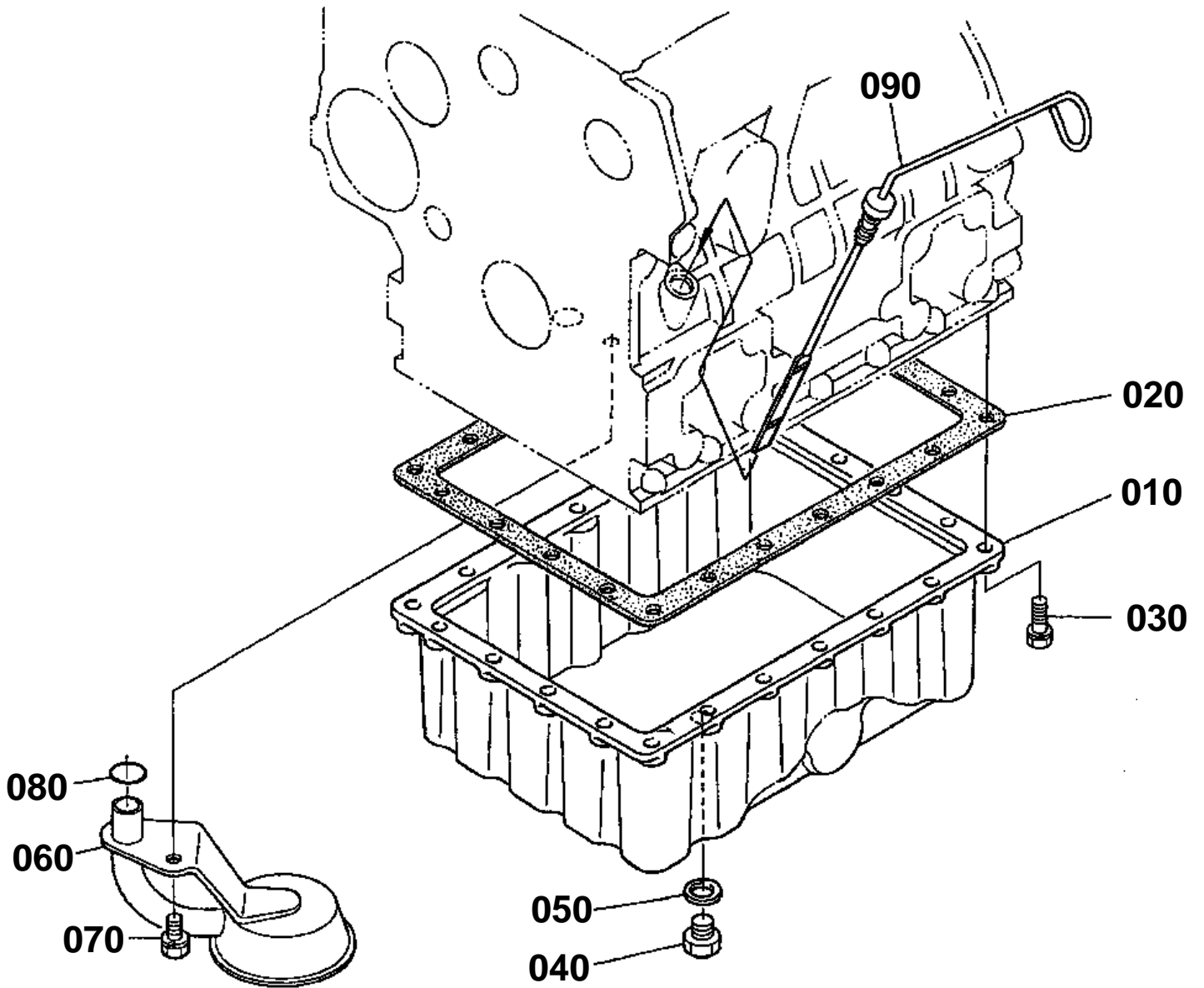


CRANKCASE

↔ Interchangeable; ≠ not interchangeable; ← new for old; → old for new

REF.No	Part No.	Description	Q'ty	S.No.	I/C	REMARKS	Weight (kgf)	Weight (lb)
010	16613-01010	COMP.CRANKCASE	1	<=110326			31.47	69.234
010	16613-01012	COMP.CRANKCASE	1	>=110327	≠		0	0
020	15451-96270	CAP SEALING	4				0.012	0.0264
030	15221-03490	CAP SEALING	1				0.02	0.044
040	15261-96010	PLUG	3				0.002	0.0044
050	16683-96020	PLUG	1				0.47	1.034
060	16241-96010	PLUG	3				0.007	0.0154
070	15521-96020	PLUG	2				0.003	0.0066
080	17391-96160	PLUG EXPANSION	3				0.003	0.0066
090	16271-96160	PLUG EXPANSION	1				0.025	0.055
100	05012-00508	PIN STRAIGHT	2	<=WT2678			0.001	0.0022
100	16225-94510	PIN STRAIGHT	2	>=WU0001	↔		0.001	0.0022
110	05012-00814	PIN STRAIGHT	2				0.006	0.0132
120	05012-00610	PIN STRAIGHT	2	<=WT2678			0.003	0.0066
120	16221-94520	PIN STRAIGHT	2	>=WU0001	↔		0.005	0.011
130	15231-33960	PIN PIPE	2				0.001	0.0022
140	16241-33650	PIN PIPE	1				0.002	0.0044
150	16241-96262	PLUG	1	<=49889			0.007	0.0154
150	16241-96262	PLUG FUEL CAMSHAFT	1	>=49890	←		0.007	0.0154
160	16261-56280	PIN START SPRING	1				0.004	0.0088
170	16282-96010	PLUG	1				0.09	0.198
180	16271-55350	BUSH GOVERNOR GEAR	1				0.06	0.132
190	15221-33610	PLUG	1				0.009	0.0198
200	15021-33660	GASKET	1				0.001	0.0022
210	15221-33700	O RING	1				0.001	0.0022
220	15841-73020	ASSY COCK DRAIN	1	<=139735			0.03	0.066
220	06311-55020	PLUG	1	>=139736	←		0.031	0.0682
230	15531-39010	SWITCH OIL	1				0.032	0.0704
240	04714-00200	GASKET	1	>=139736			0.002	0.0044

OIL PAN



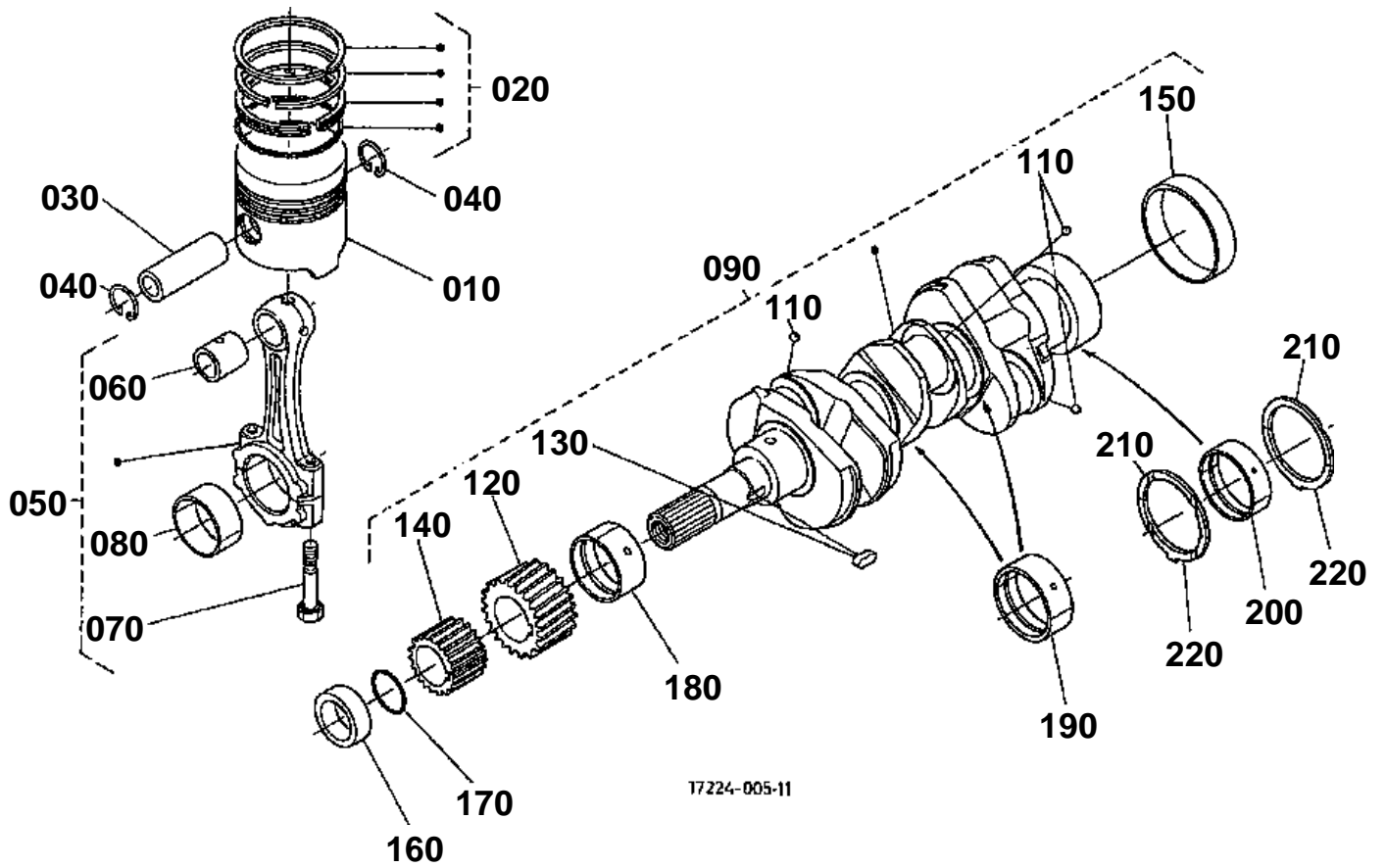
16215-001-10



OIL PAN

↔ Interchangeable; ≠ not interchangeable; ← new for old; → old for new

REF.No	Part No.	Description	Q'ty	S.No.	I/C	REMARKS	Weight (kgf)	Weight (lb)
010	16215-01610	OIL PAN	1				4.06	8.932
020	16261-01630	GASKET OIL PAN	1				0.001	0.0022
030	01023-50618	BOLT	22				0.006	0.0132
040	15221-33750	PLUG	1				0.032	0.0704
050	15109-33660	GASKET	1	≤WP2119			0.001	0.0022
050	6C090-58960	GASKET	1	≥WQ0001	←		0.002	0.0044
060	16261-32114	FILTER OIL	1				0.21	0.462
070	01123-60816	BOLT	1				0.01	0.022
080	04814-00160	O RING	1				0.001	0.0022
090	16215-36412	GAUGE OIL	1				0.042	0.0924



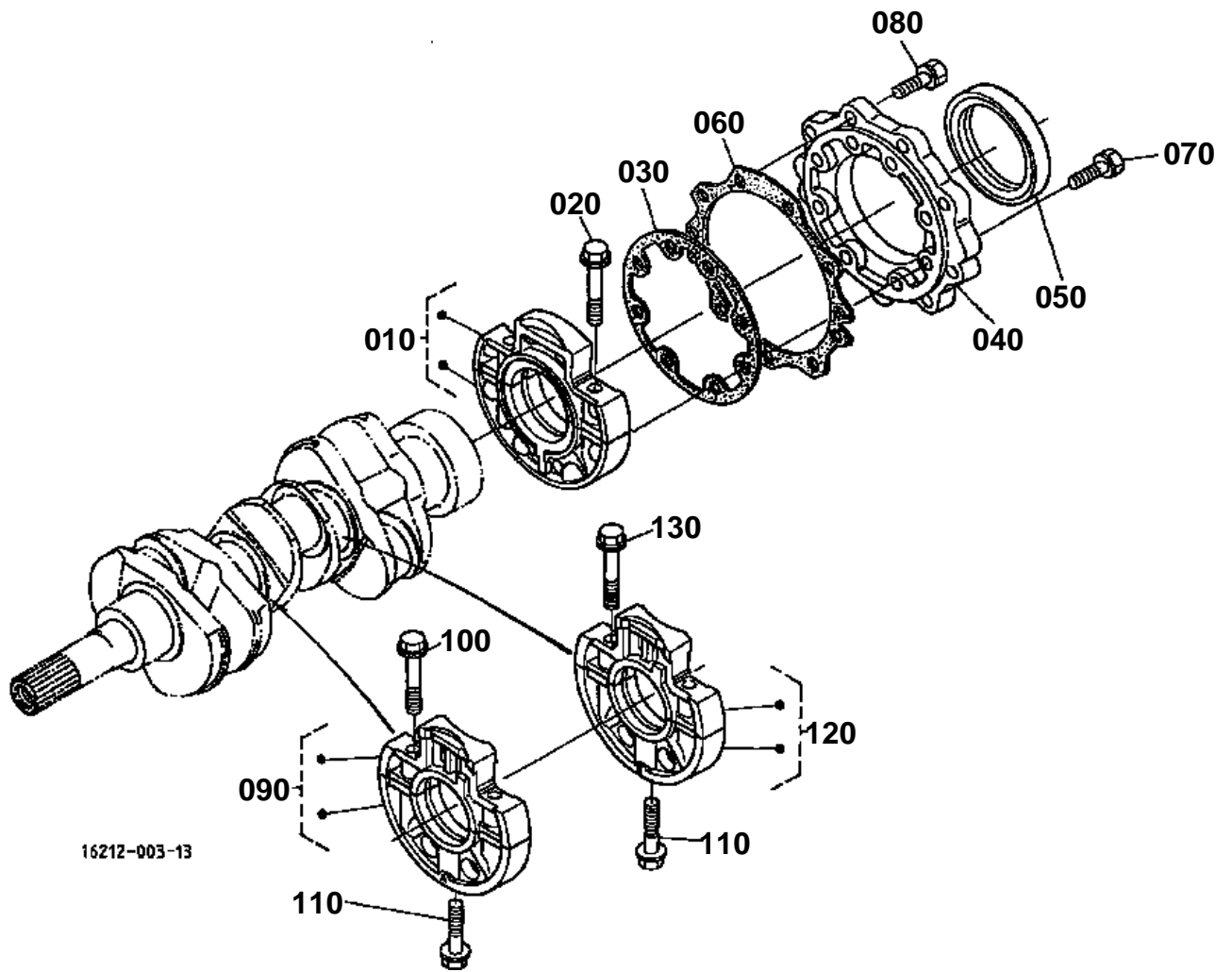


PISTON,CRANKSHAFT

↔ Interchangeable; ≠ not interchangeable; ← new for old; → old for new

REF.No	Part No.	Description	Q'ty	S.No.	I/C	REMARKS	Weight (kgf)	Weight (lb)
010	16060-21110	PISTON	3			STD	0.4	0.88
010	16060-21910	PISTON	3			+0.5MM	0.415	0.913
010	16060-21910	PISTON	1		↔		0.415	0.913
020	16261-21050	ASSY PISTON RING	3			STD	0.042	0.0924
020	16261-21090	ASSY PISTON RING	3			+0.5MM	0.05	0.11
030	16241-21310	PIN PISTON	3				0.135	0.297
040	16241-21330	CIR CLIP PISTON PIN	6				0.002	0.0044
050	16241-22012	ASSY ROD CONNECTING	3				0.545	1.199
060	16241-21980	BUSH PISTON PIN	3				0.03	0.066
070	16241-22140	BOLT CONNECTING ROD	6				0.024	0.0528
080	16241-22310	METAL CRANKPIN	3			STD SET	0.038	0.0836
080	16241-22970	METAL CRANKPIN	3			-0.2MM SET	0.08	0.176
080	16241-22980	METAL CRANKPIN	3			-0.4MM SET	0.1	0.22
090	16265-23013	COMP.CRANKSHAFT	1				8.2	18.04
100	99999-99999	BLANK	0				0	0
110	07715-00401	BALL	3				0.001	0.0022
120	16241-24110	GEAR CRANK	1				0.15	0.33
130	16271-95230	KEY	1				0.005	0.011
140	16241-35630	GEAR OIL PUMP DRIVE	1				0.102	0.2244
150	16241-23280	SLEEVE CRANKSHAFT	1				0.06	0.132
160	16241-23250	COLLAR CRANKSHAFT	1				0.05	0.11
170	15667-96750	O RING	1	<=WH4333			0.02	0.044
170	04814-10280	O RING	1	>=WJ0001	≠		0.001	0.0022
180	16241-23470	METAL CRANKSHAFT	1			STD	0.06	0.132
180	16241-23910	METAL CRANKSHAFT	1			-0.2MM	0.03	0.066
180	16241-23920	METAL CRANKSHAFT	1			-0.4MM	0.068	0.1496
190	16241-23480	METAL CRANKSHAFT	2			STD SET	0.05	0.11
190	16241-23930	METAL CRANKSHAFT	2			-0.2MM SET	0.1	0.22
190	16241-23940	METAL CRANKSHAFT	2			-0.4MM SET	0.05	0.11
200	16292-23490	METAL CRANKSHAFT	1			STD SET	0.07	0.154
200	16241-23860	METAL CRANKSHAFT	1			-0.2MM SET	0.1	0.22
200	16292-23860	METAL CRANKSHAFT	1		↔		0.05	0.11
200	16241-23870	METAL CRANKSHAFT	1			-0.4MM SET	0.068	0.1496
200	16292-23870	METAL CRANKSHAFT	1		↔		0.05	0.11
210	15521-23530	METAL SIDE	2			STD	0.01	0.022
210	15521-23950	METAL SIDE	2			+0.2MM	0.01	0.022
210	15521-23960	METAL SIDE	2			+0.4MM	0.01	0.022
220	19202-23540	METAL SIDE	2			STD	0.01	0.022
220	19202-23970	METAL SIDE	2			+0.2MM	0.01	0.022
220	19202-23980	METAL SIDE	2			+0.4MM	0.01	0.022

MAIN BEARING CASE



16212-003-13

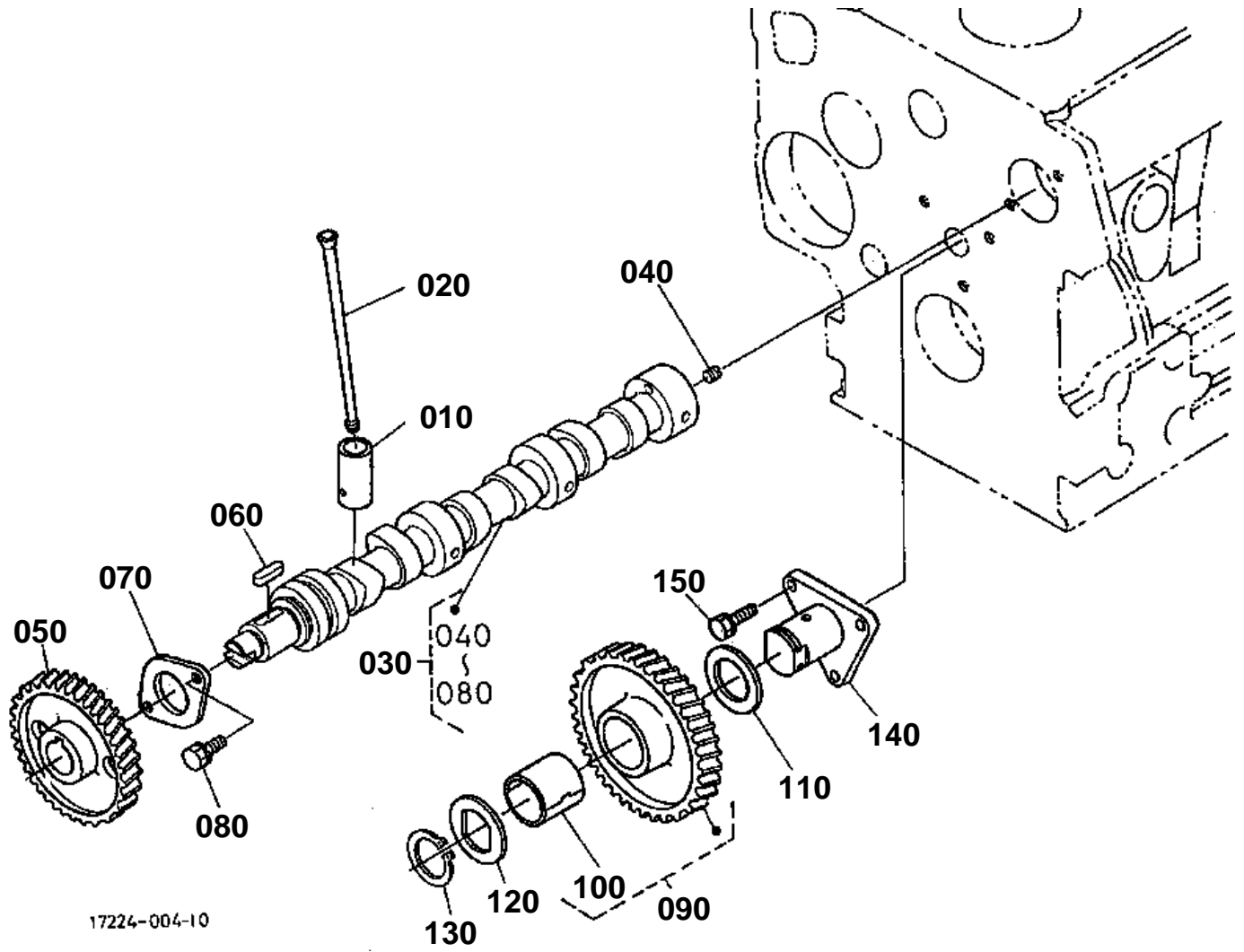


MAIN BEARING CASE

↔ Interchangeable; ≠ not interchangeable; ← new for old; → old for new

REF.No	Part No.	Description	Q'ty	S.No.	I/C	REMARKS	Weight (kgf)	Weight (lb)
010	16241-04092	ASSY CASE MAIN BRG.	1				1.13	2.486
020	16241-04540	BOLT BEARING CASE	2				0.02	0.044
030	16264-04360	GASKET BRG.CASE	1				0.002	0.0044
040	16241-04813	COVER BEARING CASE	1				0.22	0.484
050	16241-04460	SEAL OIL	1				0.02	0.044
060	16264-04820	GASKET	1				0.008	0.0176
070	01023-50625	BOLT	8				0.007	0.0154
080	01023-50620	BOLT	9				0.006	0.0132
090	16261-04040	ASSY CASE MAIN BRG.	1				0.9	1.98
100	16241-04540	BOLT BEARING CASE	2				0.02	0.044
110	16241-04560	BOLT BEARING CASE	2				0.03	0.066
120	16261-04050	ASSY CASE MAIN BRG.	1				1.11	2.442
130	16241-04540	BOLT BEARING CASE	2				0.02	0.044

CAMSHAFT



17224-004-10

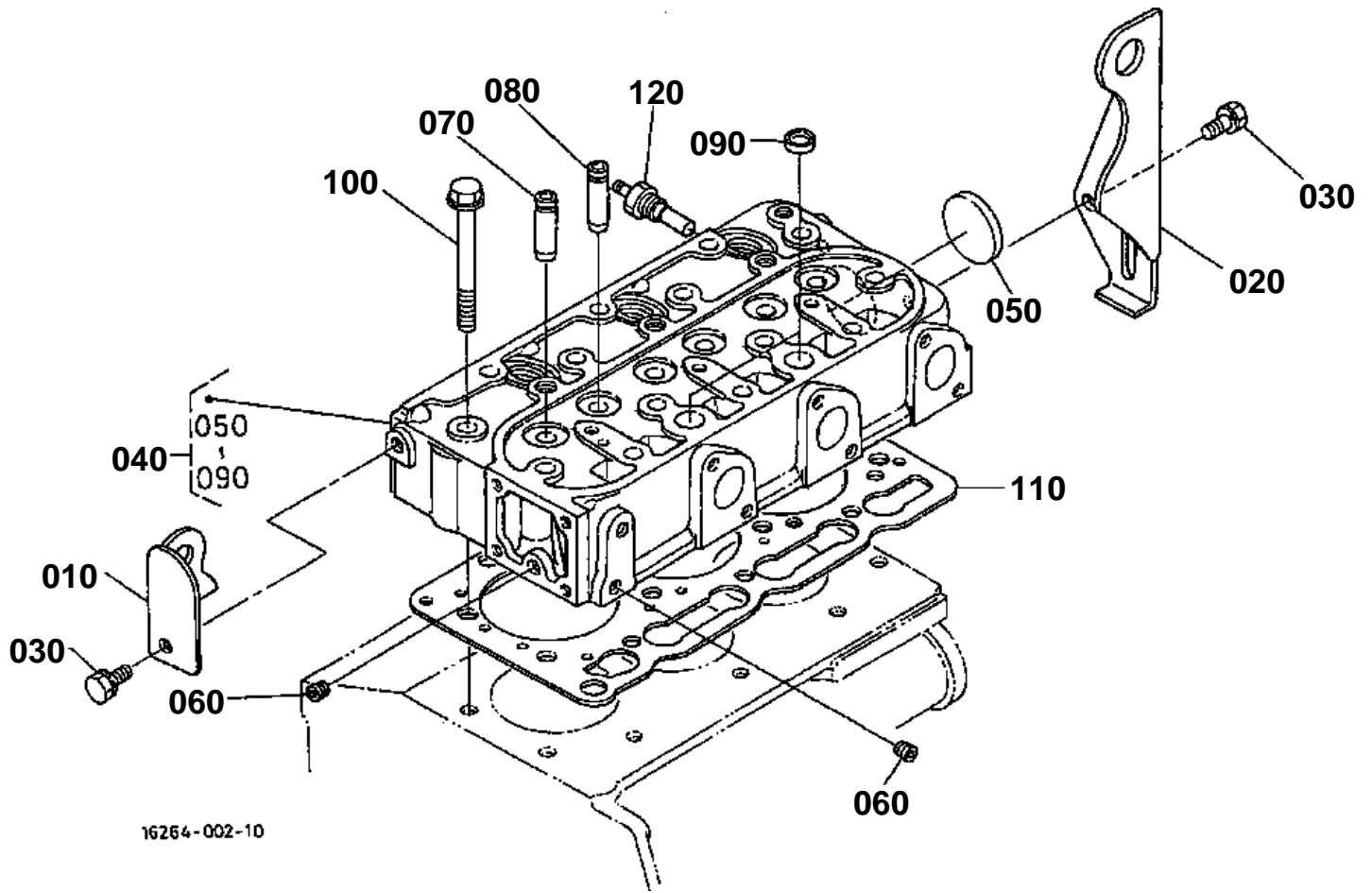


CAMSHAFT

↔ Interchangeable; ≠ not interchangeable; ← new for old; → old for new

REF.No	Part No.	Description	Q'ty	S.No.	I/C	REMARKS	Weight (kgf)	Weight (lb)
010	16261-15550	TAPPET	6				0.035	0.077
020	16241-15110	PUSH ROD	6				0.03	0.066
030	16261-16010	ASSY CAMSHAFT	1				1.7	3.74
040	15521-93610	SCREW SET	1				0.002	0.0044
050	16241-16510	GEAR CAM	1				0.45	0.99
060	05712-00518	KEY FEATHER	1				0.003	0.0066
070	16241-16270	STOPPER CAMSHAFT	1				0.04	0.088
080	01023-50614	BOLT	2				0.005	0.011
090	16271-24010	COMP GEAR IDLE	1				0.6	1.32
100	16271-24980	BUSH IDLE GEAR	1				0.02	0.044
110	16241-24360	COLLAR IDLE GEAR	1				0.01	0.022
120	16241-24370	COLLAR IDLE GEAR	1				0.012	0.0264
130	16241-24320	CIR CLIP IDLE GEAR	1				0.003	0.0066
140	16241-24250	SHAFT IDLE GEAR	1				0.255	0.561
150	01023-50616	BOLT	3				0.005	0.011

CYLINDER HEAD



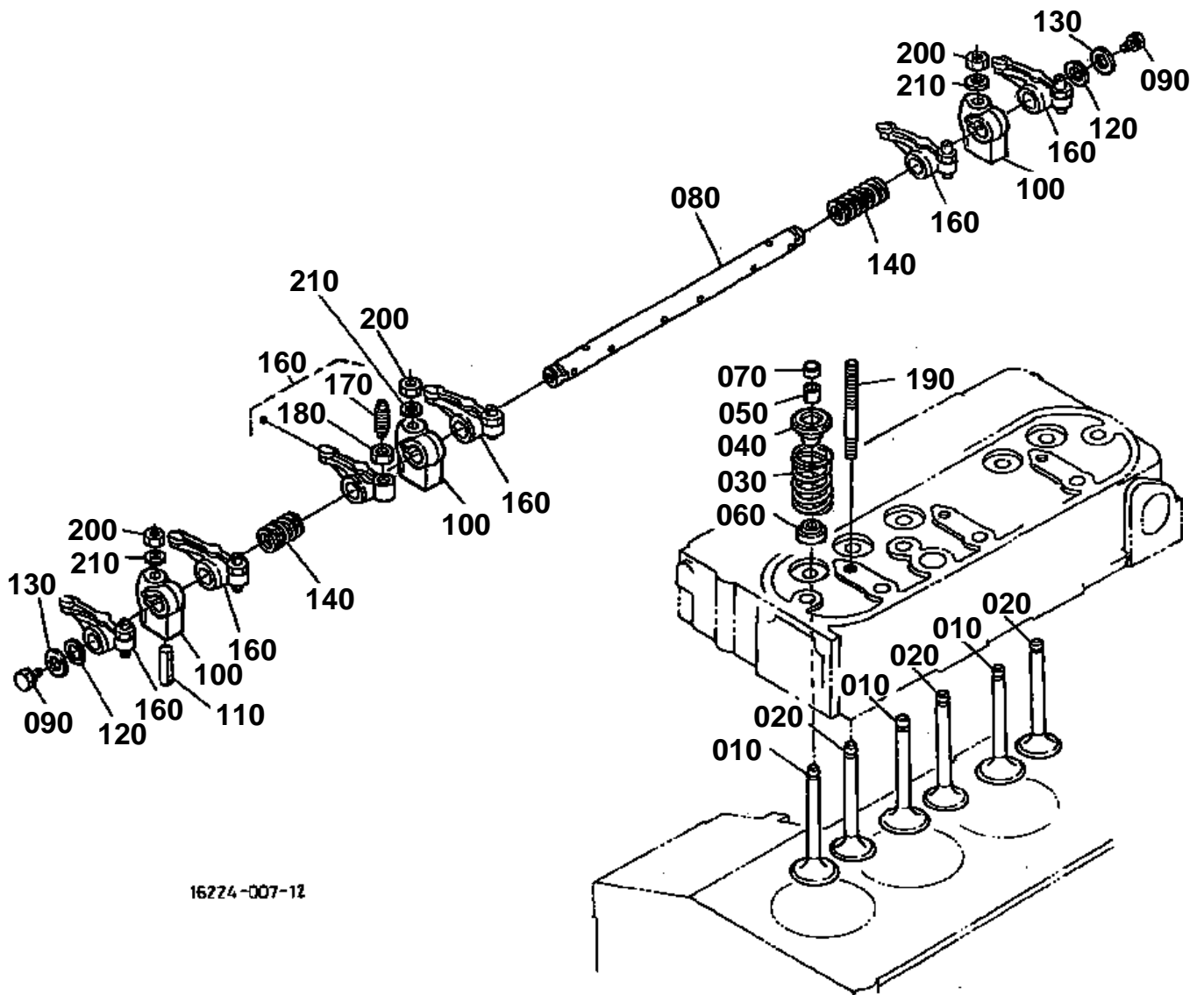


CYLINDER HEAD

↔ Interchangeable; ≠ not interchangeable; ← new for old; → old for new

REF.No	Part No.	Description	Q'ty	S.No.	I/C	REMARKS	Weight (kgf)	Weight (lb)
010	16241-01750	HOOK ENGINE	1				0.08	0.176
020	16241-01770	HOOK ENGINE	1				0.175	0.385
030	01123-60814	BOLT	2				0.01	0.022
040	16032-03040	COMP.CYLINDER HEAD	1	<=110326			10	22
040	16032-03042	COMP.CYLINDER HEAD	1	>=110327	≠		9.2	20.24
050	15321-96260	CAP SEALING	1				0.014	0.0308
060	15261-96010	PLUG	2				0.002	0.0044
070	16241-13540	GUIDE INLET VALVE	3				0.02	0.044
080	16241-13560	GUIDE EXHAUST VALVE	3				0.01	0.022
090	15261-03370	CAP SEALING	2				0.005	0.011
100	16241-03450	BOLT CYLINDER HEAD	14				0.07	0.154
110	16261-03310	GASKET CYLINDER HEAD	1	<=110326			0.07	0.154
110	1E038-03310	GASKET CYL.HEAD	1	>=110327	≠		0.07	0.154
110	1E038-03310	GASKET CYL.HEAD	1	>=WY0001	↔		0.07	0.154
120	31351-32830	SENSOR THERMO	1				0.02	0.044

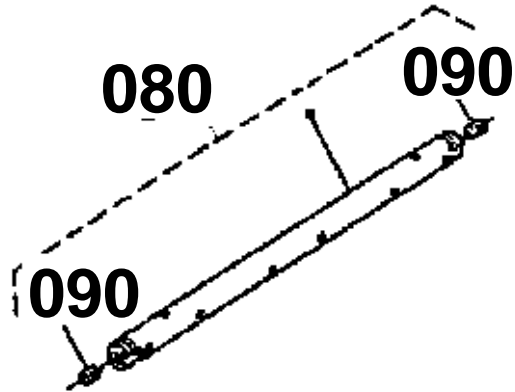
VALVE AND ROCKER ARM



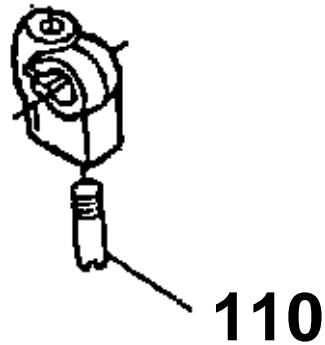
16224-007-12

080 16261-1405-0

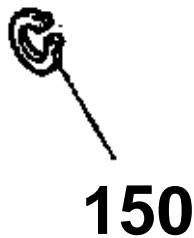
090 03410-50606



110 15261-1442-0



150 04612-00120



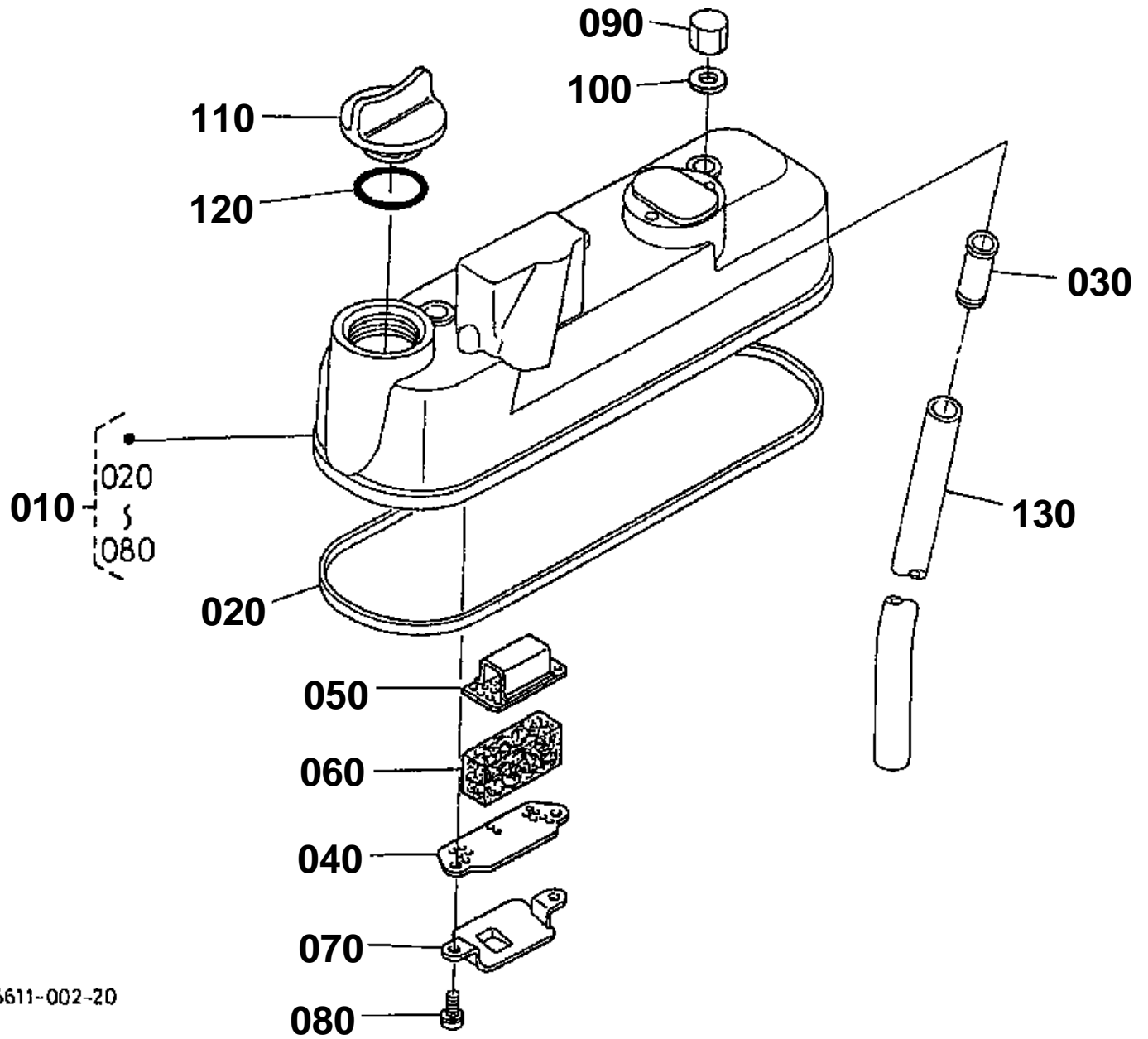


VALVE AND ROCKER ARM

↔ Interchangeable; ≠ not interchangeable; ← new for old; → old for new

REF.No	Part No.	Description	Q'ty	S.No.	I/C	REMARKS	Weight (kgf)	Weight (lb)
010	16241-13110	VALVE INLET	3				0.05	0.11
020	16241-13120	VALVE EXHAUST	3				0.045	0.099
030	16271-13240	SPRING VALVE	6				0.015	0.033
040	16241-13330	RETAINER VALVE SP.	6				0.015	0.033
050	15261-13360	COLLET VALVE SPRING	6			SET	0.001	0.0022
060	16241-13150	SEAL VALVE STEM	6	≤=116859			0.002	0.0044
060	1C010-13150	SEAL VALVE STEM	6	≥=116860	↔		0.002	0.0044
070	16241-13280	CAP VALVE	6				0.005	0.011
080	16261-14050	ASSY SHAFT R-ARM	1	≤=WD2848			0.17	0.374
080	16261-14264	SHAFT ROCKER ARM	1	≥=WE0001	≠		0.16	0.352
090	03410-50606	SCREW SET	2	≤=WD2848			0.001	0.0022
090	01023-50610	BOLT	2	≥=WE0001	≠		0.005	0.011
100	16241-14350	BRACKET ROCKER ARM	3				0.04	0.088
110	15261-14420	SCREW SET.ROCKER ARM	1	≤=WD2848			0.002	0.0044
110	05411-00428	PIN SPRING	1	≥=WE0001	≠		0.002	0.0044
120	16241-14430	WASHER R-ARM.SHAFT	2				0.002	0.0044
130	16241-14440	WASHER R-ARM.SHAFT	2	≤=WD2848			0.002	0.0044
130	15841-94022	WASHER PLAIN	2	≥=WE0001	≠		0.005	0.011
140	16241-14310	SPRING ROCKER ARM	2				0.004	0.0088
150	04612-00120	CIR CLIP EXTERNAL	2	≤=WD2848			0.001	0.0022
160	16241-14030	ASSY ROCKER ARM	6	≤=89029			0.06	0.132
160	16241-14032	ASSY ROCKER ARM	6	≥=89030	≠		0.052	0.1144
160	16241-14032	ASSY ROCKER ARM	6		↔		0.052	0.1144
170	16241-14230	SCREW ADJUSTING	6				0.008	0.0176
180	16241-14240	NUT	6				0.004	0.0088
190	16241-14410	STUD	3				0.022	0.0484
200	15261-92010	NUT	3				0.005	0.011
210	15261-94010	WASHER PLAIN	3				0.002	0.0044

HEAD COVER



16611-002-20

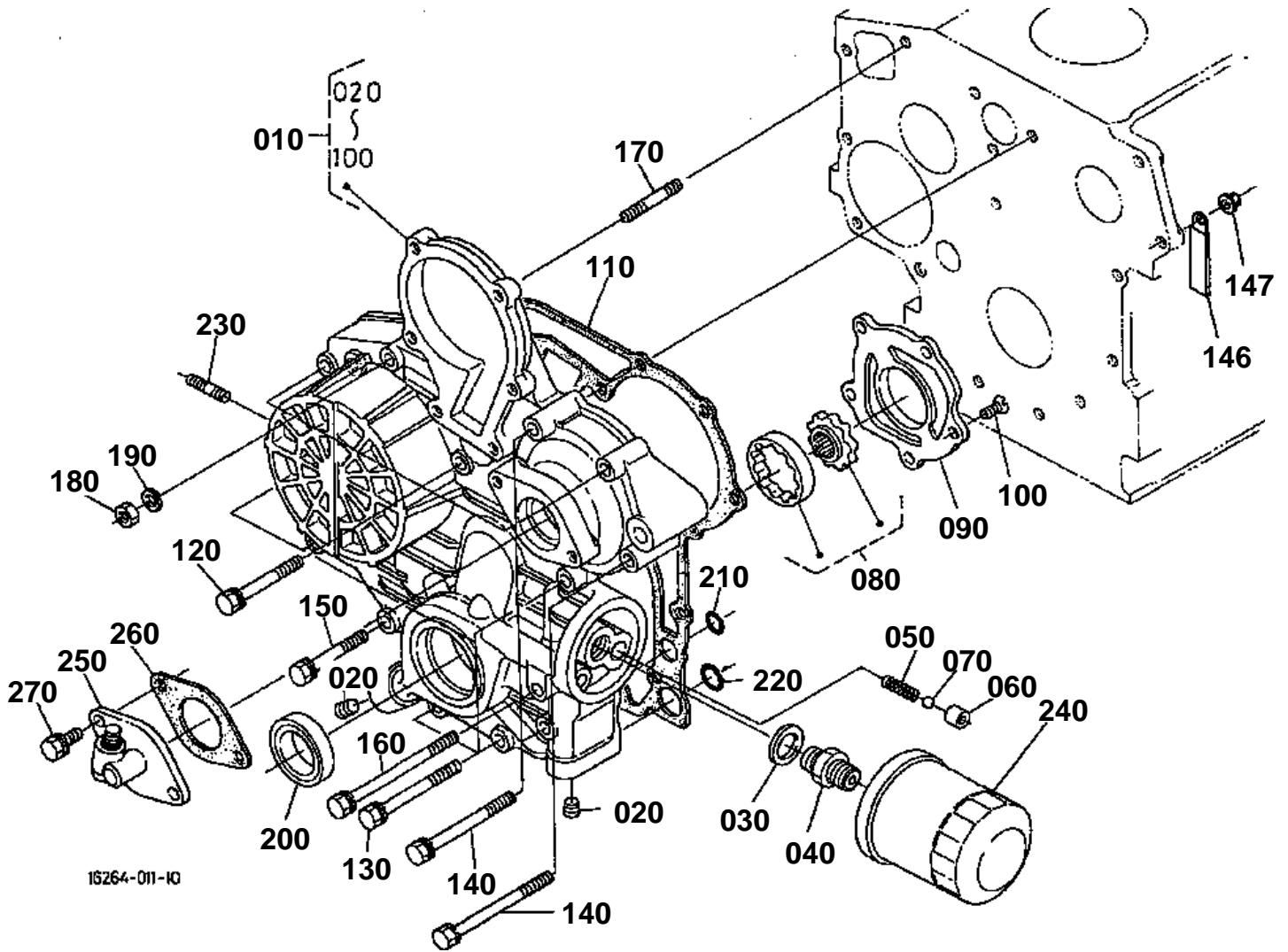


HEAD COVER

↔ Interchangeable; ≠ not interchangeable; ← new for old; → old for new

REF.No	Part No.	Description	Q'ty	S.No.	I/C	REMARKS	Weight (kgf)	Weight (lb)
010	16261-14503	ASSY COVER CYL.HEAD	1				0.78	1.716
020	16261-14520	GASKET HEAD COVER	1				0.01	0.022
030	16241-05550	JOINT BREATHER PIPE	1				0.02	0.044
040	16241-05140	PLATE B/THER ELEMENT	1				0.005	0.011
050	16241-05150	PLATE B/THER ELEMENT	1				0.01	0.022
060	16241-05670	ELEMENT BREATHER	1				0.01	0.022
070	16241-05370	OIL SHIELD BREATHER	1				0.01	0.022
080	03024-50510	SCREW WITH WASHER	2				0.002	0.0044
090	15952-92330	NUT	3				0.01	0.022
100	15951-96660	GASKET	3				0.001	0.0022
110	15852-33140	PLUG OIL FILLER	1				0.038	0.0836
120	04814-50300	O RING	1				0.001	0.0022
130	16206-05510	TUBE BREATHER	1				0.062	0.1364

GEAR CASE



1G264-011-10

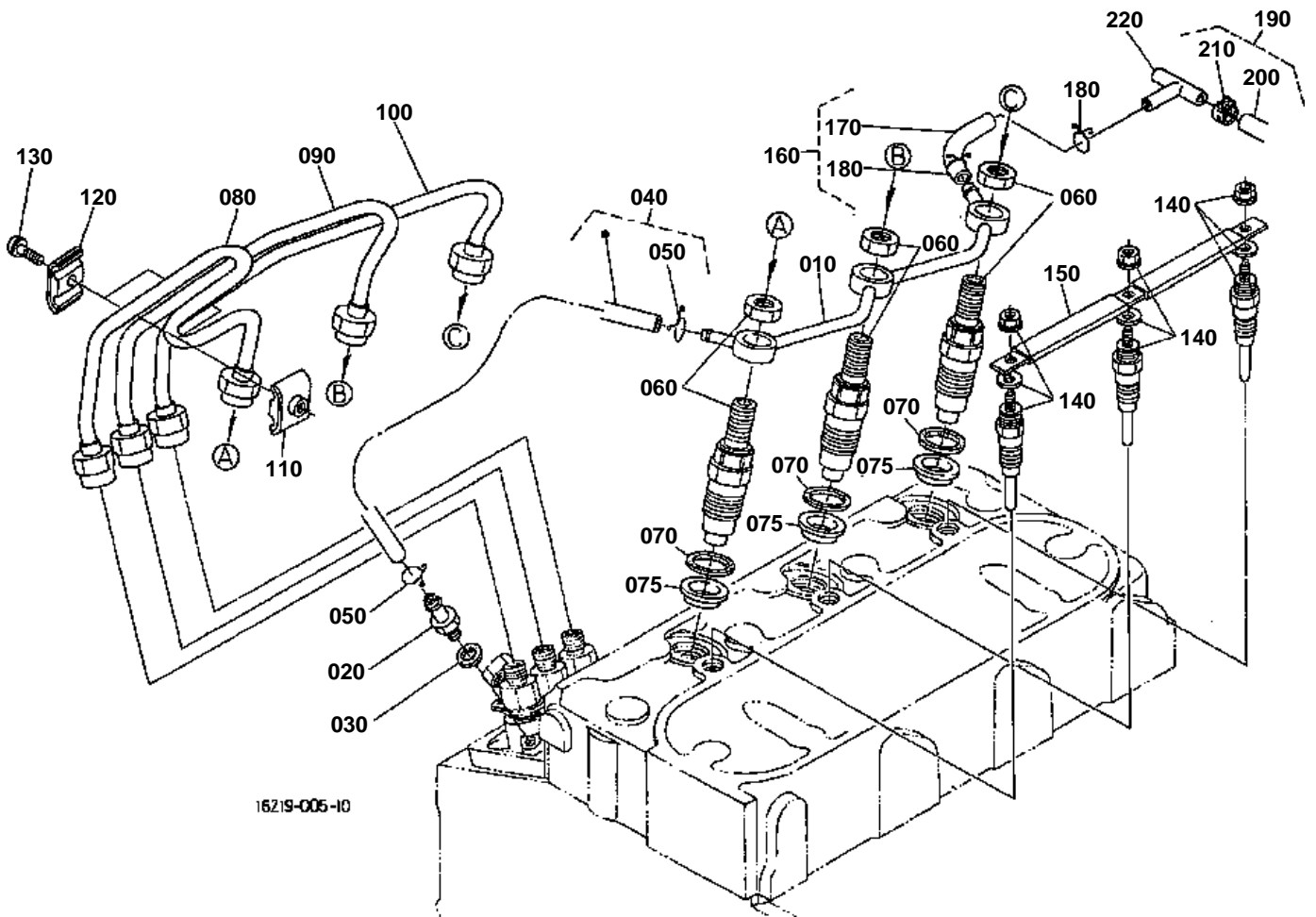


GEAR CASE

↔ Interchangeable; ≠ not interchangeable; ← new for old; → old for new

REF.No	Part No.	Description	Q'ty	S.No.	I/C	REMARKS	Weight (kgf)	Weight (lb)
010	16271-04020	COMP.CASE GEAR	1				2.5	5.5
020	16241-96020	PLUG	2				0.015	0.033
030	04011-50180	WASHER PLAIN	1				0.012	0.0264
040	15241-32290	JOINT PIPE	1				0.053	0.1166
050	16241-36950	SPRING	1				0.015	0.033
060	16241-36930	SEAT VALVE	1				0.012	0.0264
070	07715-00201	BALL	1				0.008	0.0176
080	16241-35070	ASSY ROTOR OIL PUMP	1				0.27	0.594
090	16241-35130	COVER OIL PUMP	1				0.066	0.1452
100	16241-93120	SCREW CSK-HD	5				0.005	0.011
110	16264-04130	GASKET GEAR CASE	1				0.01	0.022
120	01023-50645	BOLT	3				0.01	0.022
130	01023-60650	BOLT	5				0.015	0.033
140	01023-50655	BOLT	3				0.012	0.0264
146	15272-67580	CLAMP CORD	1				0.021	0.0462
147	02751-50060	NUT FLANGE	1				0.005	0.011
150	15841-91040	BOLT	1				0.01	0.022
160	16241-91040	BOLT	1				0.015	0.033
170	01513-50645	BOLT STUD	1	≤WH4333			0.011	0.0242
170	16245-91530	STUD	1	≥WJ0001	↔		0.01	0.022
180	02056-50060	NUT	1				0.002	0.0044
190	04512-60060	WASHER SPRING	1				0.001	0.0022
200	16259-04210	SEAL OIL	1				0.015	0.033
210	04814-06100	O RING	2				0.003	0.0066
220	04814-00150	O RING	2				0.001	0.0022
230	01513-50616	BOLT STUD	2	≤WH4333			0.004	0.0088
230	16245-91540	STUD	2	≥WJ0001	↔		0.005	0.011
240	16271-32092	ASSY CARTRIDGE OIL	1				0.4	0.88
250	58417-25950	ASSY GEAR CASE H/M	1				0.29	0.638
260	16264-88130	GASKET H/METER UNIT	1				0.002	0.0044
270	01023-50618	BOLT	2				0.006	0.0132

NOZZLE HOLDER, GLOW PLUG

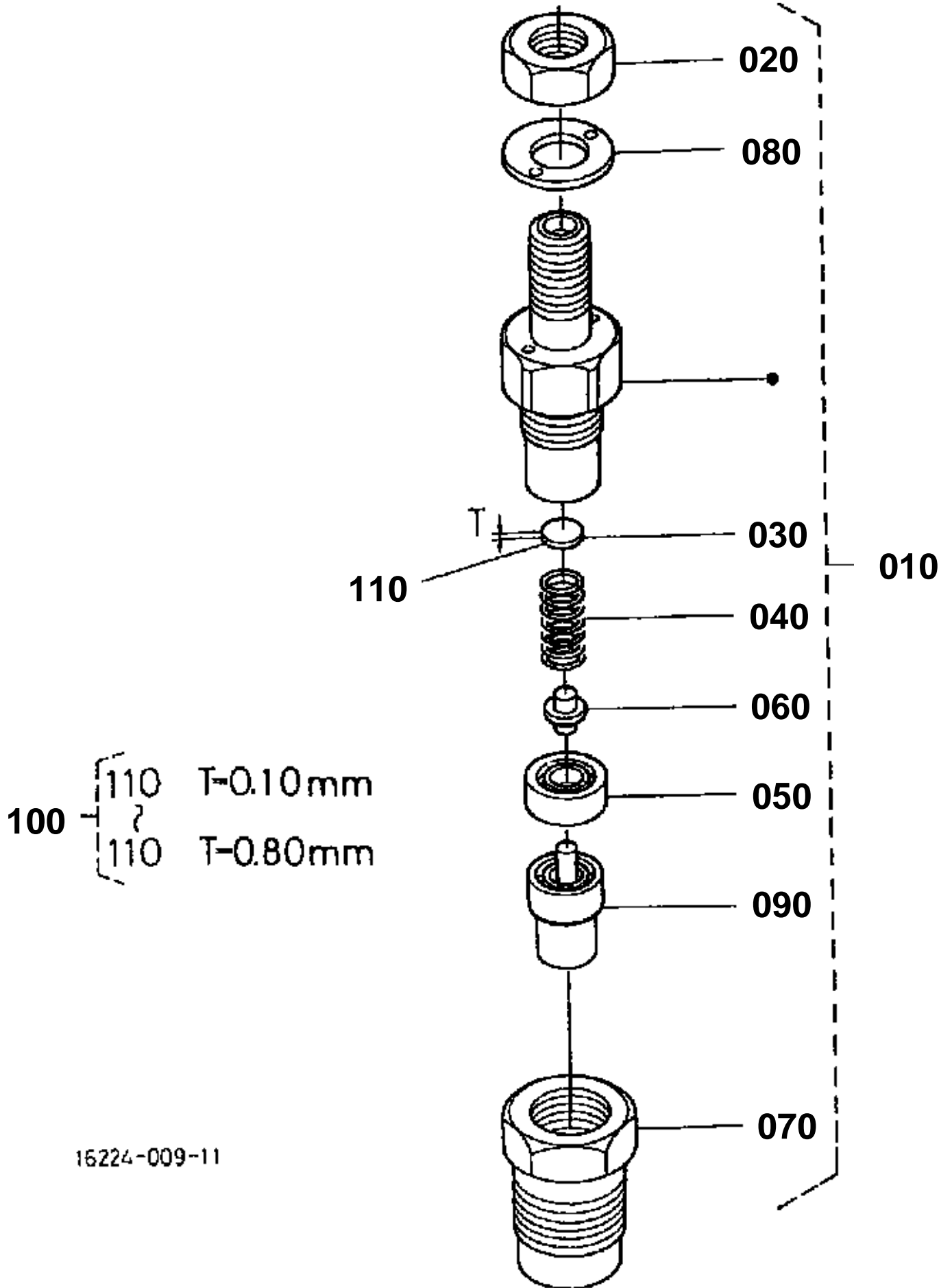


**NOZZLE HOLDER,GLOW PLUG**

↔ Interchangeable; ≠ not interchangeable; ← new for old; → old for new

REF.No	Part No.	Description	Q'ty	S.No.	I/C	REMARKS	Weight (kgf)	Weight (lb)
010	16261-42502	ASSY PIPE OVER FLOW	1				0.04	0.088
020	15841-51360	SCREW AIR BREEDER	1				0.008	0.0176
030	15601-96650	GASKET	1				0.001	0.0022
040	15841-42500	ASSY PIPE OVER FLOW	1				0.015	0.033
050	14971-42750	CLIP PIPE	2				0.001	0.0022
060	16032-53000	ASSY HOLDER NOZZLE	3				0.14	0.308
070	15841-53622	GASKET	3				0.002	0.0044
075	19077-53650	SEAL HEAT	3				0.005	0.011
080	16282-53712	PIPE INJECTION	1				0.117	0.2574
090	16271-53722	PIPE INJECTION	1				0.12	0.264
100	16271-53732	PIPE INJECTION	1				0.118	0.2596
110	15841-53850	CLAMP PIPE	2				0.01	0.022
120	15841-53860	CLAMP PIPE	2				0.009	0.0198
130	03024-50520	SCREW WITH WASHER	2				0.004	0.0088
140	16851-65510	GLOW PLUG	3				0.02	0.044
150	16261-65560	CORD GLOW PLUG	1				0.01	0.022
160	16261-42030	ASSY PIPE OVER FLOW	1	<=95969			0.005	0.011
160	16264-42030	ASSY PIPE OVER FLOW	1	>=95970			0.005	0.011
170	09661-40080	TUBE FUEL	1				0.01	0.022
180	16241-42320	BAND PIPE	2	<=95969			0.005	0.011
180	14971-42750	CLIP PIPE	2	>=95970	↔		0.001	0.0022
190	16261-42040	ASSY PIPE OVER FLOW	1				0.015	0.033
200	09661-40260	TUBE FUEL	1				0.015	0.033
210	16241-42320	BAND PIPE	2	<=95969			0.005	0.011
210	14971-42750	CLIP PIPE	2	>=95970	↔		0.001	0.0022
220	15101-42570	JOINT PIPE	1				0.006	0.0132

NOZZLE HOLDER [COMPONENT PARTS]



16224-009-11

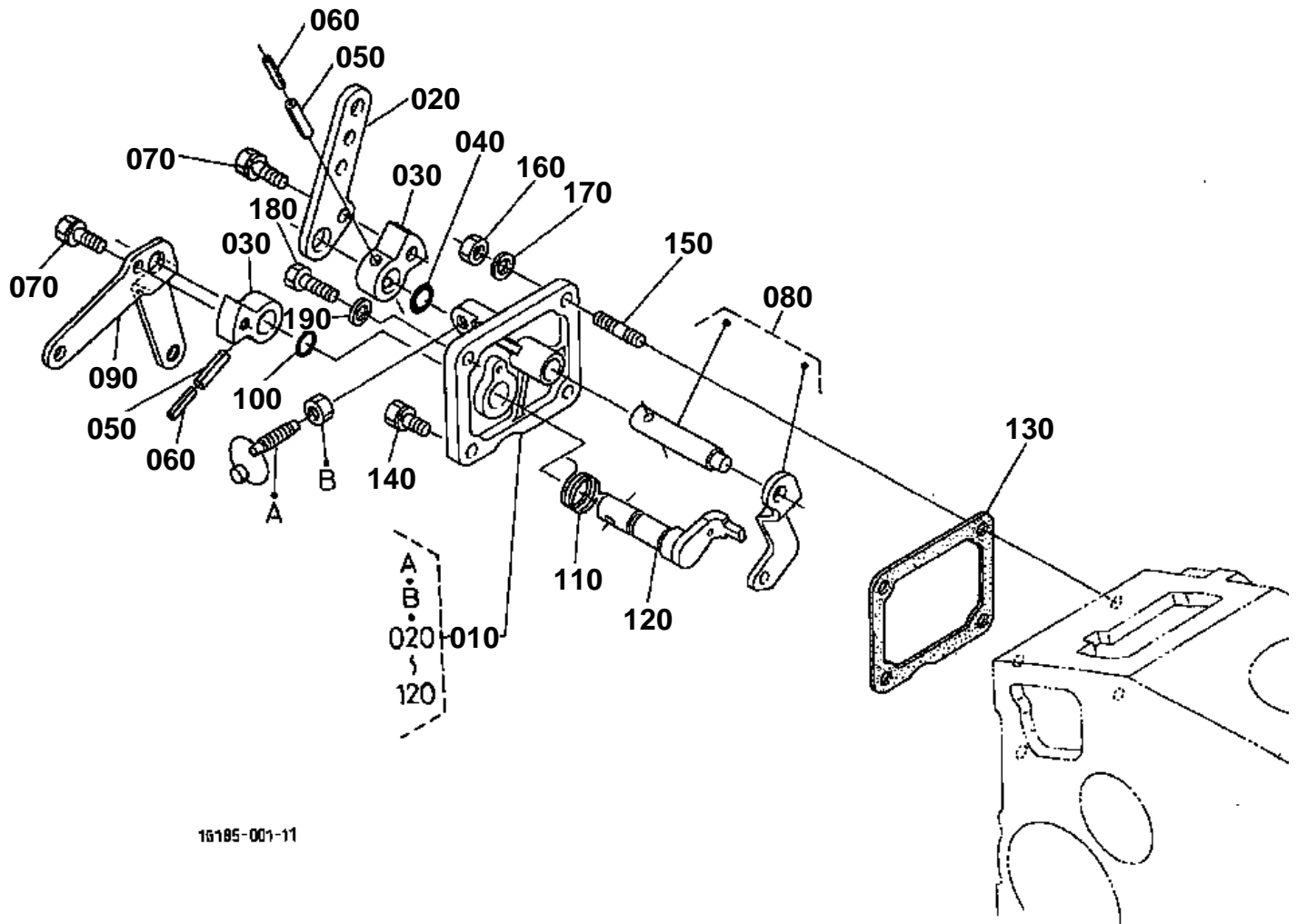


NOZZLE HOLDER [COMPONENT PARTS]

↔ Interchangeable; ≠ not interchangeable; ← new for old; → old for new

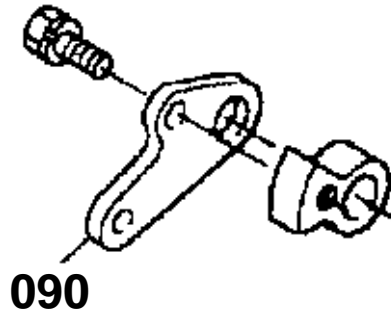
REF.No	Part No.	Description	Q'ty	S.No.	I/C	REMARKS	Weight (kgf)	Weight (lb)
010	16032-53000	ASSY HOLDER NOZZLE	3				0.14	0.308
020	16032-92030	NUT	3				0.007	0.0154
030	16032-53230	WASHER ADJUSTING	3				0.001	0.0022
040	16032-53170	SPRING NOZZLE	3				0.007	0.0154
050	16032-53350	SPACER DISTANCE	3				0.02	0.044
060	16032-53160	PUSH ROD	3				0.001	0.0022
070	16032-53280	NUT NOZZLE	3				0.037	0.0814
080	16032-94040	WASHER PLAIN	3				0.002	0.0044
090	16032-53610	PIECE NOZZLE	3				0.021	0.0462
100	16032-98100	ASSY WASHER ADJUST	3			OPTION	0.016	0.0352
110	16032-98500	WASHER ADJUSTING	3			0.10MM	0.001	0.0022
110	16032-98510	WASHER ADJUSTING	3			0.20MM	0.001	0.0022
110	16032-98520	WASHER ADJUSTING	3			0.30MM	0.001	0.0022
110	16032-98530	WASHER ADJUSTING	3			0.40MM	0.001	0.0022
110	16032-98540	WASHER ADJUSTING	3			0.50MM	0.001	0.0022
110	16032-98550	WASHER ADJUSTING	3			0.52MM	0.001	0.0022
110	16032-98560	WASHER ADJUSTING	3			0.54MM	0.001	0.0022
110	16032-98570	WASHER ADJUSTING	3			0.56MM	0.001	0.0022
110	16032-98580	WASHER ADJUSTING	3			0.58MM	0.001	0.0022
110	16032-98590	WASHER ADJUSTING	3			0.80MM	0.001	0.0022

SPEED CONTROL PLATE



15195-001-11

090 16205-5772-0



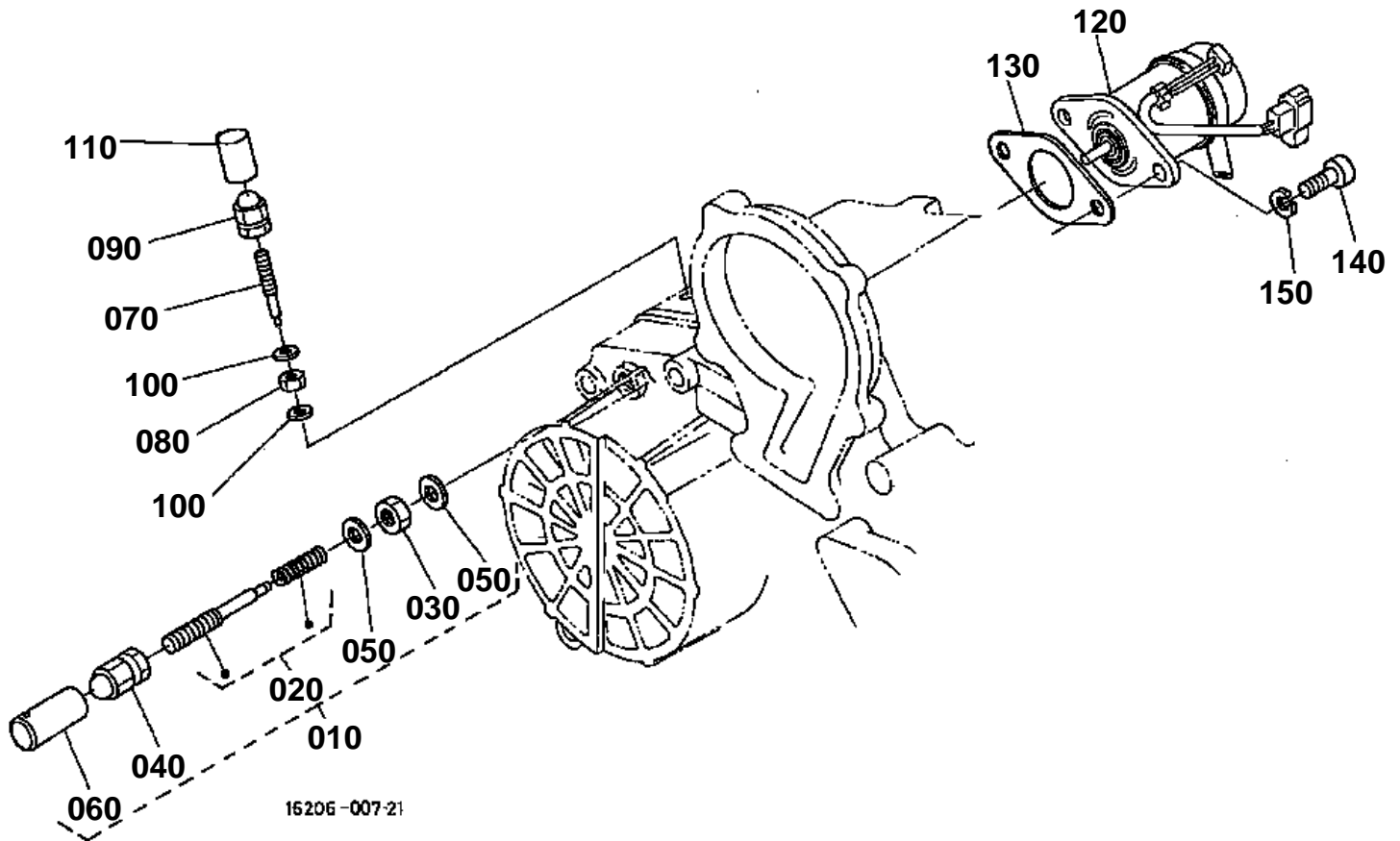
16185-800-10

**SPEED CONTROL PLATE**

↔ Interchangeable; ≠ not interchangeable; ← new for old; → old for new

REF.No	Part No.	Description	Q'ty	S.No.	I/C	REMARKS	Weight (kgf)	Weight (lb)
010	16205-57010	ASSY PLATE CONTROL	1	≤62857			0.34	0.748
010	16185-57010	ASSY PLATE CONTROL	1	>=62858	≠		0.375	0.825
020	16205-57150	LEVER SPEED CONTROL	1				0.033	0.0726
030	16205-57160	LEVER SPEED CONTROL	2				0.03	0.066
040	04814-00100	O RING	1				0.001	0.0022
050	05411-00420	PIN SPRING	2				0.001	0.0022
060	05411-02520	PIN SPRING	2				0.001	0.0022
070	01023-50612	BOLT	2				0.005	0.011
080	16205-56020	COMP.LEVER GOVERNOR	1				0.02	0.044
090	16205-57720	LEVER ENGINE STOP	1	≤62857			0.02	0.044
090	16294-57150	LEVER SPEED CONTROL	1	>=62858	≠		0.052	0.1144
100	19202-96750	O RING	1	≤WJ9533			0.001	0.0022
100	04814-10070	O RING	1	>=WL0001	↔		0.001	0.0022
110	16205-57510	SPRING RETURN	1				0.002	0.0044
120	16205-57740	COMP.LEVER STOP	1				0.046	0.1012
130	16264-57210	GASKET	1				0.002	0.0044
140	01023-50616	BOLT	2	≤89029			0.005	0.011
140	01023-50616	BOLT	1	>=89030			0.005	0.011
150	01513-50616	BOLT STUD	2	≤WH4333			0.004	0.0088
150	16245-91540	STUD	2	>=WJ0001	↔		0.005	0.011
160	02056-50060	NUT	2				0.002	0.0044
170	04512-60060	WASHER SPRING	2				0.001	0.0022
180	01053-50618	BOLT	1	>=89030			0.006	0.0132
190	15601-96650	GASKET	1	>=89030			0.001	0.0022

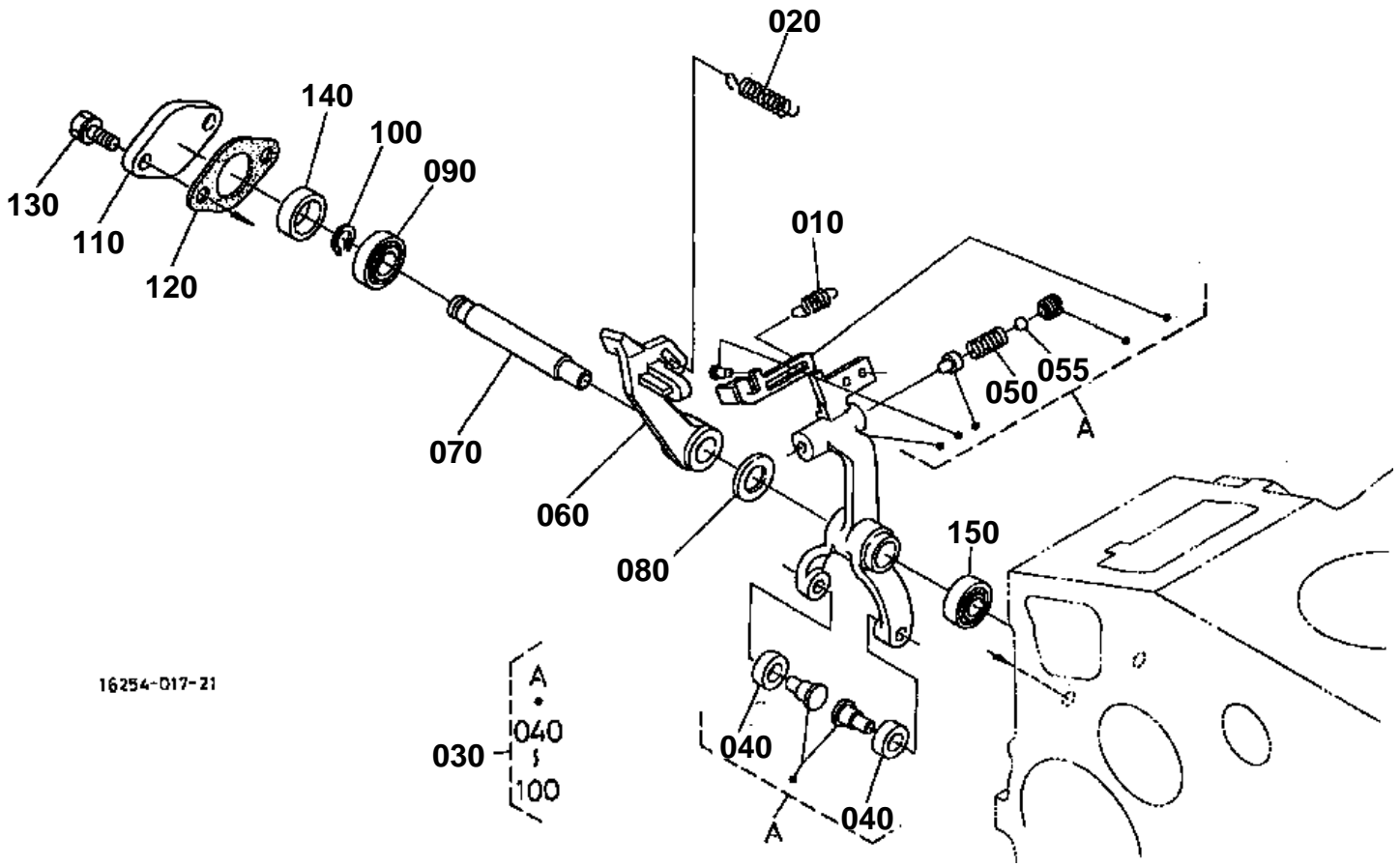
STOP SOLENOID



**STOP SOLENOID**

↔ Interchangeable; ≠ not interchangeable; ← new for old; → old for new

REF.No	Part No.	Description	Q'ty	S.No.	I/C	REMARKS	Weight (kgf)	Weight (lb)
010	16282-54090	ASSY APPARATUS IDLE	1				0.025	0.055
020	16282-54100	ASSY BOLT ADJUSTING	1				0.01	0.022
030	15841-92020	NUT	1				0.004	0.0088
040	15841-92330	NUT	1				0.006	0.0132
050	15601-96650	GASKET	2				0.001	0.0022
060	16221-54420	CAP	1				0.001	0.0022
070	16241-54120	BOLT ADJUSTING	1				0.005	0.011
080	15841-92020	NUT	1				0.004	0.0088
090	15841-92330	NUT	1				0.006	0.0132
100	15601-96650	GASKET	2				0.001	0.0022
110	16221-54420	CAP	1				0.001	0.0022
120	16271-60012	ASSY SOLENOID	1				0.35	0.77
130	16299-60150	GASKET	1				0.003	0.0066
140	01202-50612	BOLT	2	≤95969			0.005	0.011
140	01311-10614	BOLT HEX-SOC-HD	2	≥95970	→		0.005	0.011
150	04512-60060	WASHER SPRING	2	≥95970			0.001	0.0022

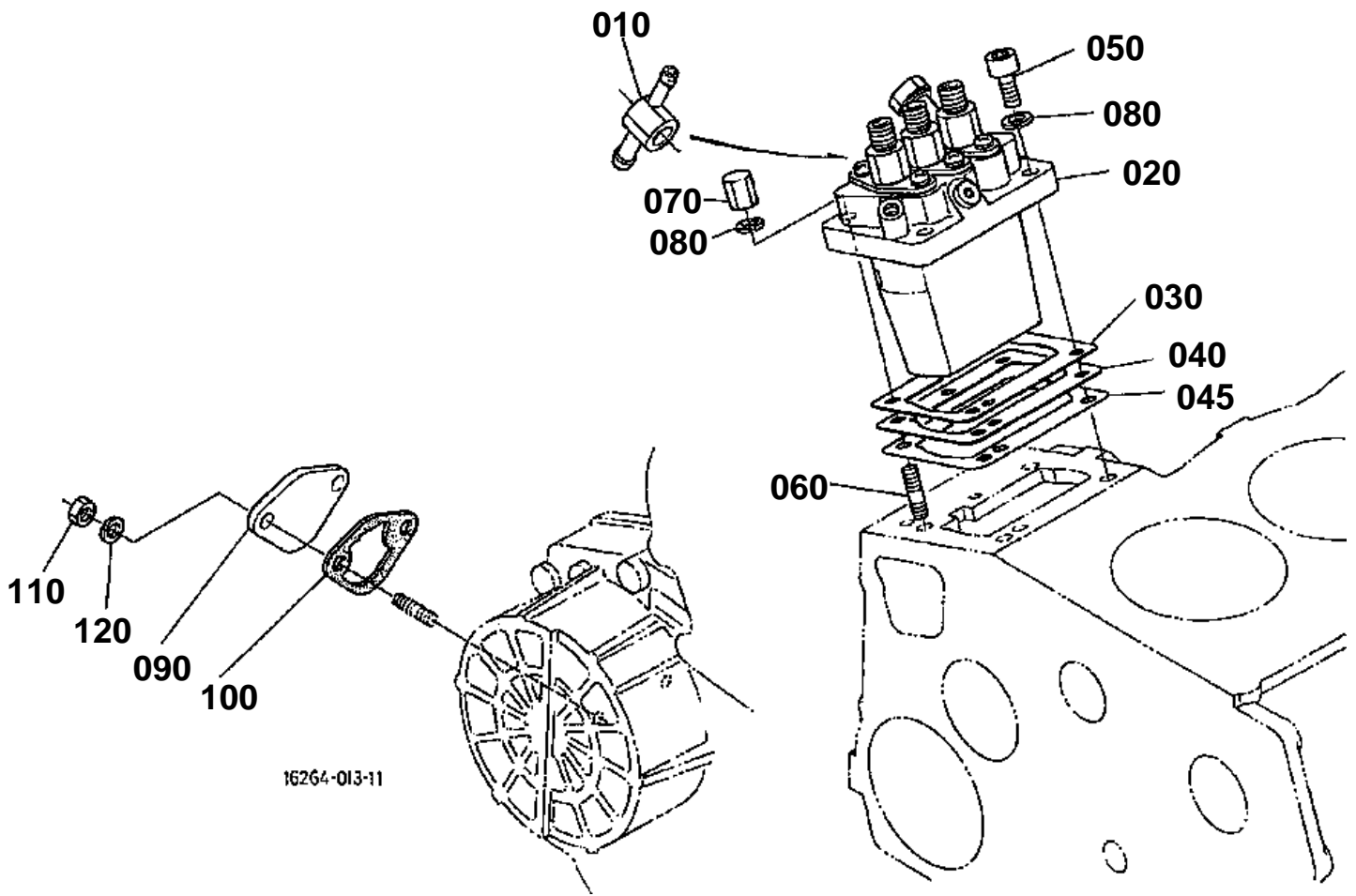


16254-017-21

**GOVERNOR**

↔ Interchangeable; ≠ not interchangeable; ← new for old; → old for new

REF.No	Part No.	Description	Q'ty	S.No.	I/C	REMARKS	Weight (kgf)	Weight (lb)
010	16261-56480	SPRING START	1				0.002	0.0044
020	16271-56413	SPRING GOVERNOR	1	<=WJ9533			0.02	0.044
020	16271-56413	SPRING GOVERNOR	1	>=WL0001	←		0.02	0.044
020	16271-56414	SPRING GOVERNOR	1		→		0.022	0.0484
030	16204-56057	ASSY LEVER FORK	1	<=WX9999			0	0
030	16204-56057	ASSY LEVER FORK	1	>=WY0001	←		0	0
040	19484-55440	ROLLER	2				0.005	0.011
050	16032-54230	SPRING	1				0.001	0.0022
055	07715-03205	BALL	1				0.001	0.0022
060	16222-56130	LEVER FORK	1				0	0
070	16241-56153	SHAFT FORK LEVER	1				0.04	0.088
080	16241-94010	WASHER PLAIN	1				0.002	0.0044
090	16241-56330	BEARING MINIATURIZE	1				0.007	0.0154
100	04612-00090	CIR CLIP EXTERNAL	1				0.001	0.0022
110	16241-56250	COVER FORK LEV.SHAFT	1				0.013	0.0286
120	16299-56260	GASKET	1				0.002	0.0044
130	01023-50614	BOLT	2				0.005	0.011
140	16241-56210	COLLAR	1				0.008	0.0176
150	16241-56340	BEARING MINIATURIZE	1				0.007	0.0154

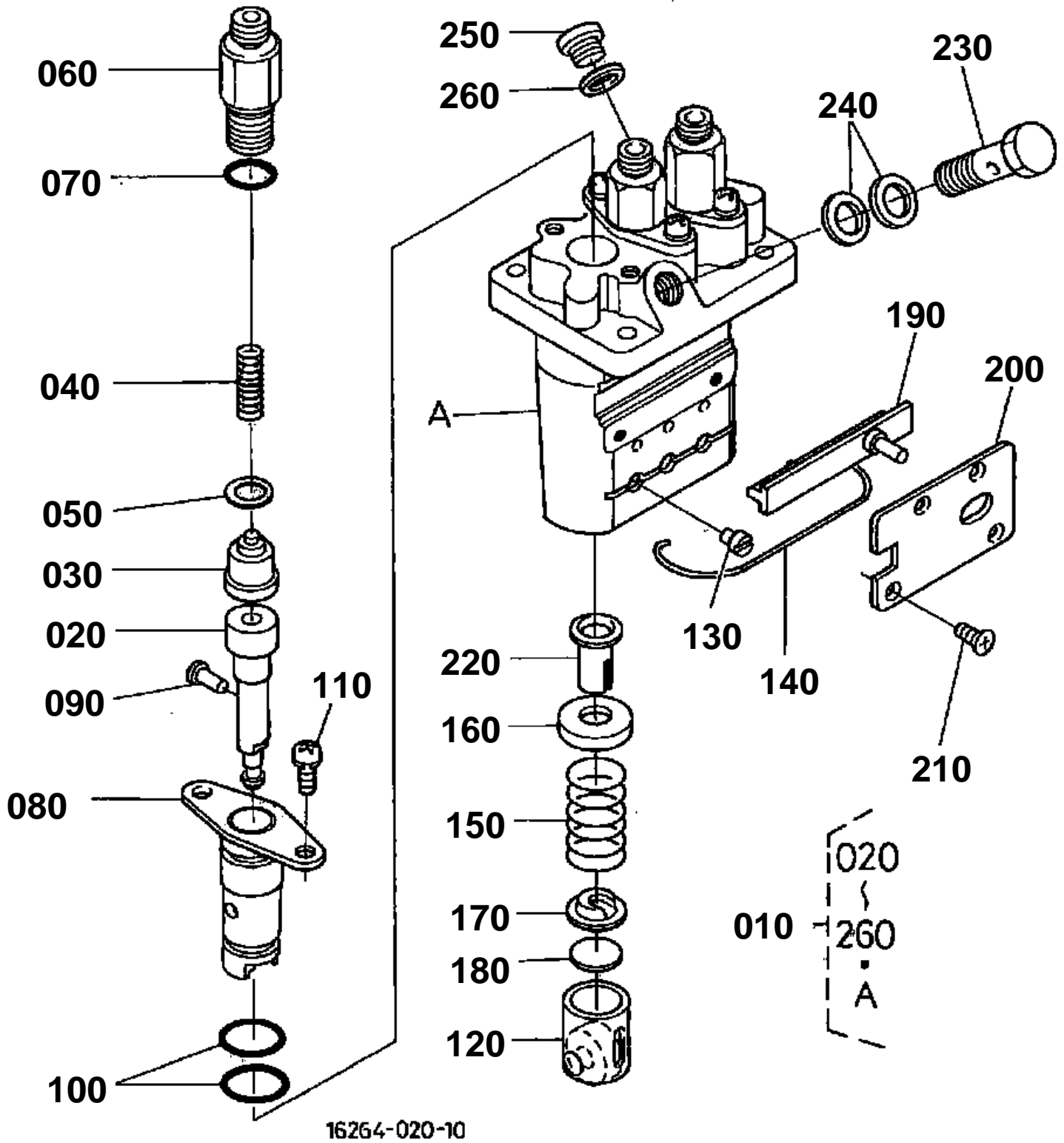




INJECTION PUMP

↔ Interchangeable; ≠ not interchangeable; ← new for old; → old for new

REF.No	Part No.	Description	Q'ty	S.No.	I/C	REMARKS	Weight (kgf)	Weight (lb)
010	16271-95690	JOINT EYE	1				0.046	0.1012
020	16032-51010	ASSY PUMP INJECTION	1				1	2.2
030	16006-52092	SHIM INJECTION PUMP	1			0.20MM	0.004	0.0088
040	16006-52112	SHIM INJECTION PUMP	1			0.25MM	0.004	0.0088
045	16006-52122	SHIM INJECTION PUMP	1			0.30MM	0.006	0.0132
050	01311-10620	BOLT HEX-SOC-HD	2				0.012	0.0264
060	15841-91500	STUD	2				0.02	0.044
070	15841-92320	NUT	2				0.01	0.022
080	04512-60060	WASHER SPRING	4				0.001	0.0022
090	15852-52850	COVER	1				0.058	0.1276
100	16264-52140	GASKET FUEL PUMP	1				0.001	0.0022
110	02056-50060	NUT	2				0.002	0.0044
120	04512-60060	WASHER SPRING	2				0.001	0.0022



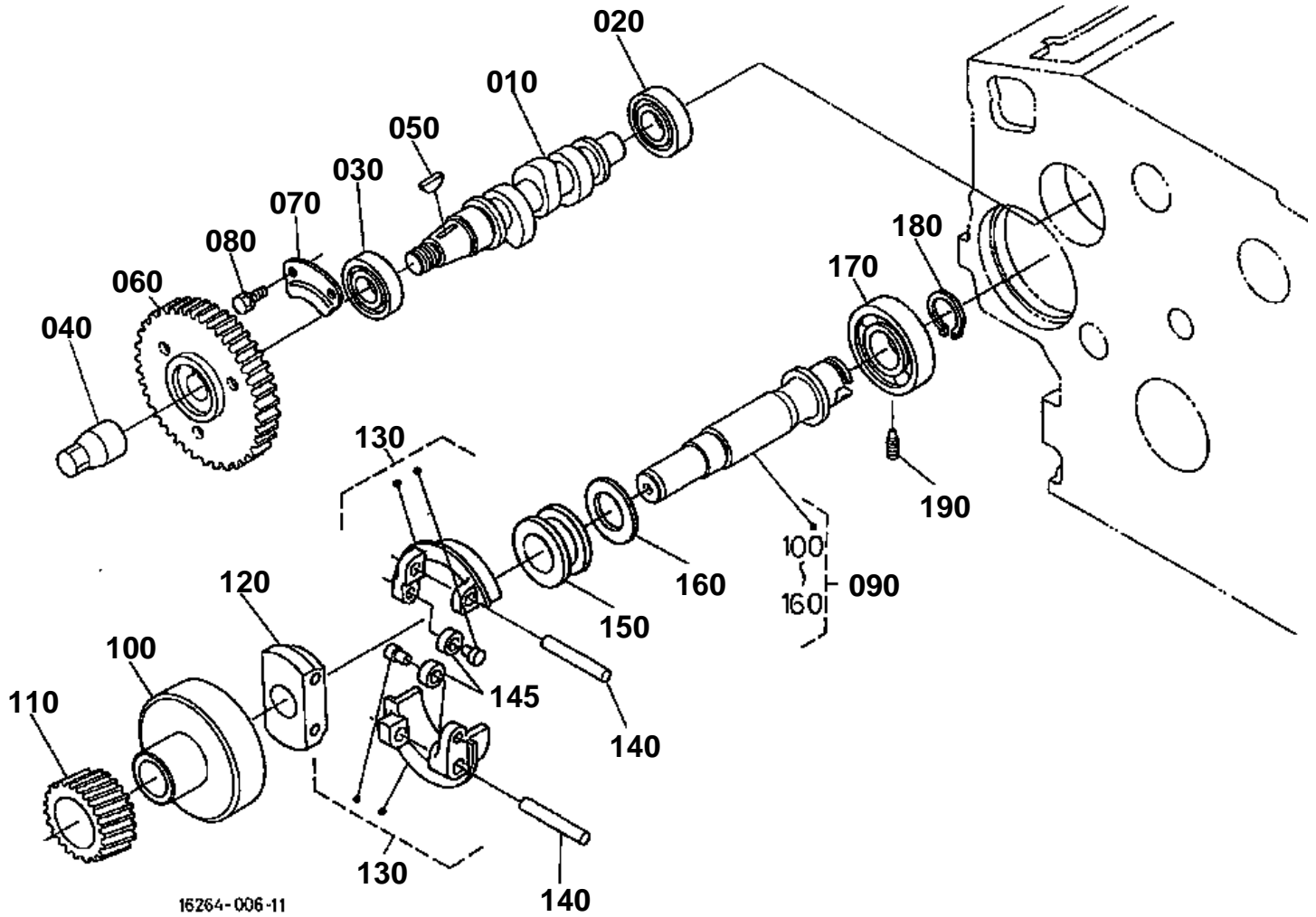


INJECTION PUMP [COMPONENT PARTS]

↔ Interchangeable; ≠ not interchangeable; ← new for old; → old for new

REF.No	Part No.	Description	Q'ty	S.No.	I/C	REMARKS	Weight (kgf)	Weight (lb)
010	16032-51010	ASSY PUMP INJECTION	1				1	2.2
020	16030-51052	PLUNGER PUMP	3				0.024	0.0528
030	15841-51030	VALVE DELIVERY	3				0.015	0.033
040	15841-51230	SPRING DELIV.VALVE	3				0.004	0.0088
050	15841-51240	GASKET DELIV.VALVE	3				0.001	0.0022
060	16271-51220	HOLDER DELIV.VALVE	3				0.045	0.099
070	15841-96760	O RING	3				0.001	0.0022
080	15841-51560	FLANGE SLEEVE	3				0.06	0.132
090	15841-94570	PIN JOINT	3				0.001	0.0022
100	15841-51200	O RING	6				0.001	0.0022
110	15862-91430	SCREW	6				0.01	0.022
120	15841-51070	ASSY TAPPET	3				0.03	0.066
130	15841-51250	PIN TAPPET GUIDE	3				0.001	0.0022
140	15861-51430	PIN CLAMP	1				0.002	0.0044
150	15841-51280	SPRING PLUNGER	3				0.015	0.033
160	15841-51270	SEAT SPRING UPPER	3				0.005	0.011
170	15841-51290	SEAT SPRING LOWER	3				0.005	0.011
180	15841-51490	SHIM	3				0.005	0.011
190	16030-51060	RACK CONTROL	1				0.027	0.0594
200	16030-51540	PLATE	1				0.035	0.077
210	15841-93110	SCREW CSK-HD	4				0.001	0.0022
220	15841-51380	SLEEVE CONTROL	3				0.006	0.0132
230	16271-51320	SCREW FOLLOW	1				0.031	0.0682
240	15841-96650	GASKET	2				0.001	0.0022
250	16030-96010	PLUG	1				0.008	0.0176
260	15861-96650	GASKET	1				0.001	0.0022

FUEL CAMSHAFT

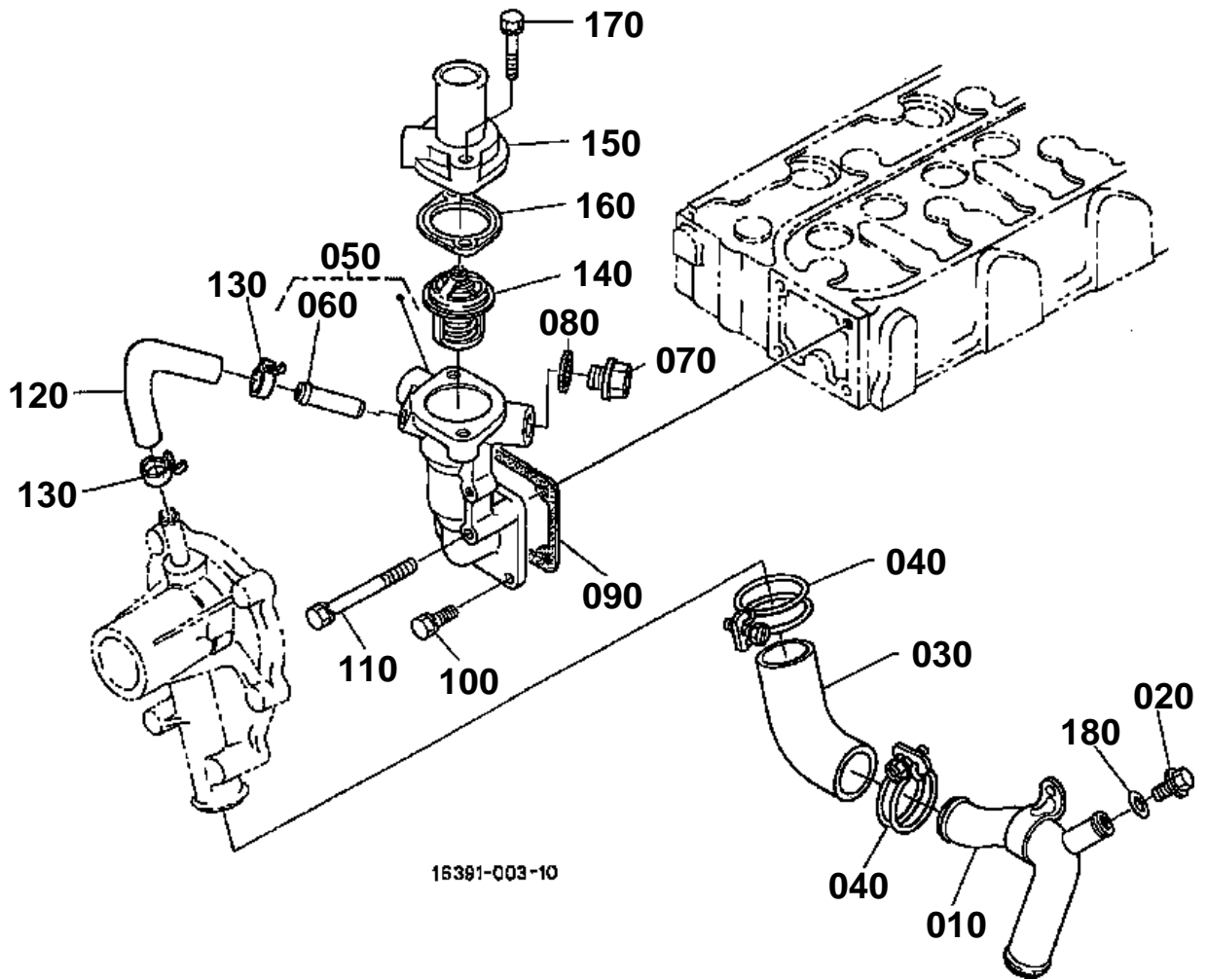


**FUEL CAMSHAFT**

↔ Interchangeable; ≠ not interchangeable; ← new for old; → old for new

REF.No	Part No.	Description	Q'ty	S.No.	I/C	REMARKS	Weight (kgf)	Weight (lb)
010	16020-16170	CAMSHAFT FUEL	1				0.38	0.836
020	08103-06202	BEARING BALL	1				0.05	0.11
030	08103-06204	BEARING BALL	1				0.105	0.231
040	16241-92330	NUT	1				0.035	0.077
050	16241-95230	KEY WOODRUFF	1				0.001	0.0022
060	16272-51150	GEAR INJECTION PUMP	1				0.49	1.078
070	16241-16320	STOPPER FUEL.C/SHAFT	1				0.04	0.088
080	01023-50612	BOLT	2				0.005	0.011
090	16265-55013	ASSY SHAFT GOVERNOR	1				1.22	2.684
100	16241-55392	HOLDER GOVERNOR GEAR	1				0.34	0.748
110	16282-55320	GEAR GOVERNOR	1				0.24	0.528
120	16241-55270	HOLDER GOV.WEIGHT	1				0.085	0.187
130	16241-55062	COMP.WEIGHT GOVERNOR	2				0.085	0.187
140	16241-55260	SHAFT GOV. WEIGHT	2				0.013	0.0286
145	19484-55440	ROLLER	2				0.005	0.011
150	16241-55450	SLEEVE GOVERNOR	1				0.04	0.088
160	16241-55463	WASHER THRUST	1				0.005	0.011
170	08101-06304	BEARING BALL	1				0.146	0.3212
180	16271-55410	CIR CLIP GOV.SHAFT	1				0.005	0.011
190	16241-55554	SCREW SET	1				0.007	0.0154

WATER FLANGE



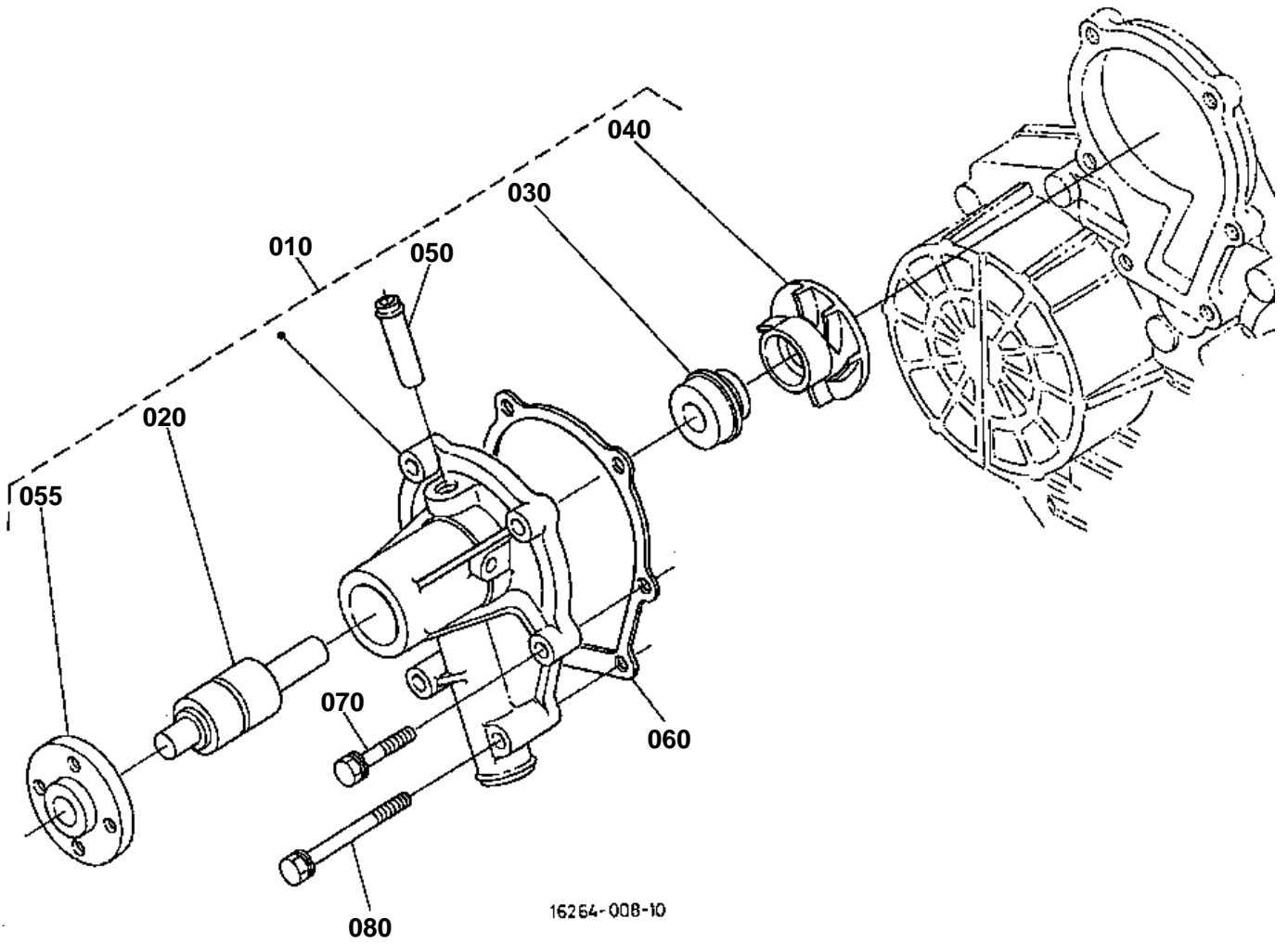


WATER FLANGE

↔ Interchangeable; ≠ not interchangeable; ← new for old; → old for new

REF.No	Part No.	Description	Q'ty	S.No.	I/C	REMARKS	Weight (kgf)	Weight (lb)
010	16282-72863	PIPE WATER	1				0.24	0.528
020	06311-55010	PLUG	1			CANOPY	0.015	0.033
030	16241-72870	PIPE WATER	1				0.06	0.132
040	36200-82720	CLAMP	2				0.025	0.055
050	16261-72705	COMP FLANGE WATER	1	≤110326			0.26	0.572
050	16180-72700	COMP FLANGE WATER	1	≥110327	≠		0.265	0.583
060	16241-73370	PIPE WATER RETURN	1				0.007	0.0154
070	06311-55030	PLUG	1			CANOPY	0.05	0.11
080	16261-96710	GASKET	1			CANOPY	0.002	0.0044
090	16264-72920	GASKET WATER FLANGE	1				0.001	0.0022
100	01023-50616	BOLT	3				0.005	0.011
110	01023-50655	BOLT	1				0.012	0.0264
120	16241-73350	PIPE WATER RETURN	1				0.015	0.033
130	16241-73360	BAND PIPE	2				0.003	0.0066
140	15531-73010	ASSY THERMOSTAT	1	≤110326			0.063	0.1386
140	15321-73014	ASSY THERMOSTAT	1	≥110327	≠		0.07	0.154
150	16271-73260	COVER THERMOSTAT	1	≤110326			0.06	0.132
150	16219-73260	COVER THERMOSTAT	1	≥110327	≠		0.094	0.2068
160	16264-73270	GASKET THERMOSTAT	1	≤110326			0.001	0.0022
160	1A021-73270	GASKET THERMOSTAT	1	≥110327	≠		0	0
160	16221-73270	GASKET THERMOSTAT	1	≥WY0001	↔		0.013	0.0286
170	01023-50632	BOLT	2	≤110326			0.01	0.022
170	01123-50835	BOLT	2	≥110327	≠		0.02	0.044
180	04724-00100	GASKET	1			CANOPY	0.001	0.0022

WATER PUMP



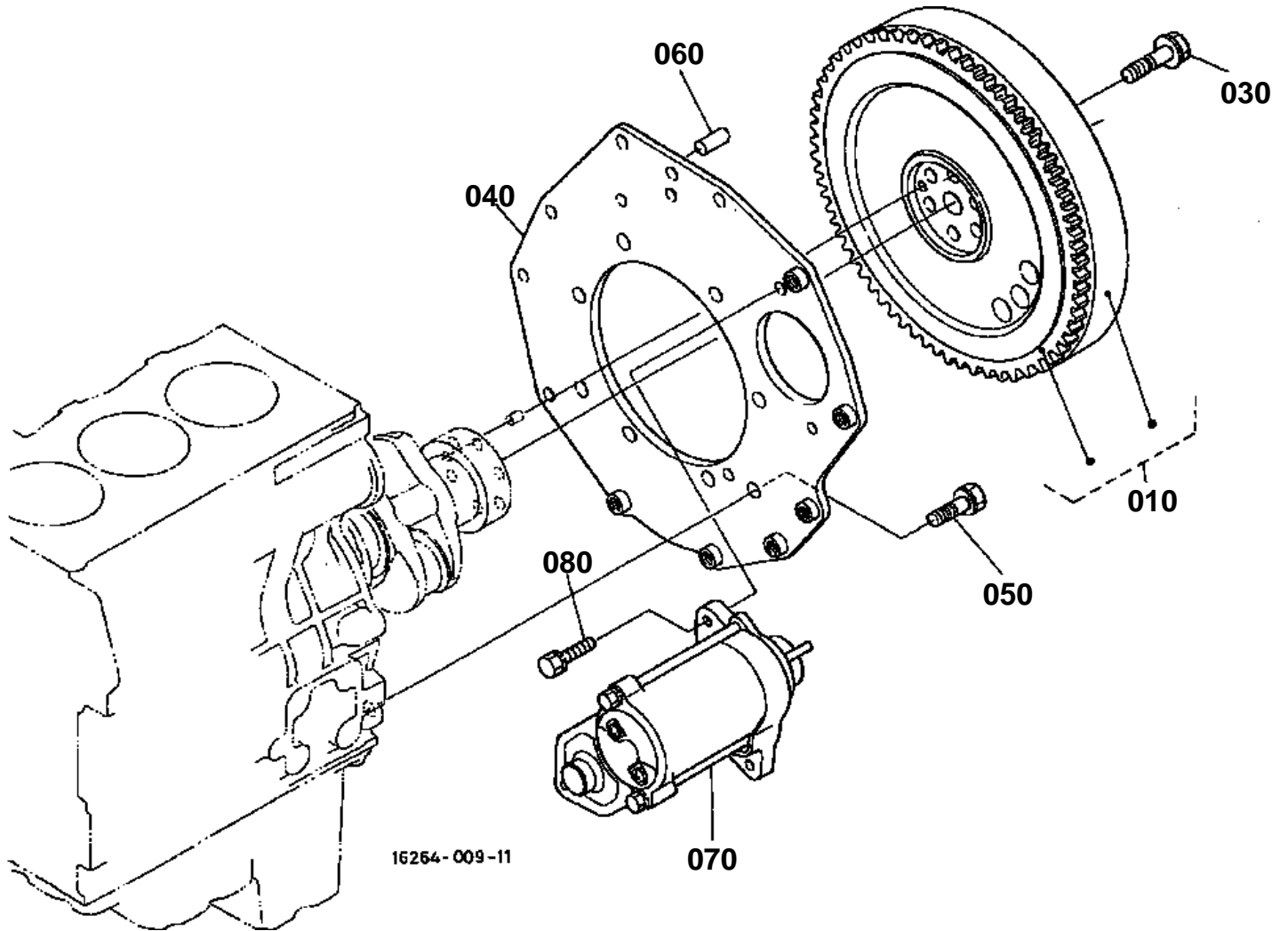


WATER PUMP

↔ Interchangeable; ≠ not interchangeable; ← new for old; → old for new

REF.No	Part No.	Description	Q'ty	S.No.	I/C	REMARKS	Weight (kgf)	Weight (lb)
010	16241-73033	ASSY PUMP WATER	1				0	0
020	16241-73550	BEARING	1				0.202	0.4444
030	16241-73052	ASSY SEAL MECHANICAL	1				0.016	0.0352
040	16241-73510	IMPELLER WATER PUMP	1				0.097	0.2134
050	16241-73340	PIPE WATER RETURN	1				0.006	0.0132
055	16241-73520	FLANGE WATER PUMP	1				0.135	0.297
060	16261-73430	GASKET WATER PUMP	1				0.001	0.0022
070	01023-50630	BOLT	4	≤WF5452			0.008	0.0176
070	01754-50625	BOLT FLANGE	4	≥WG0001	↔		0.008	0.0176
080	01023-50680	BOLT	2				0.017	0.0374

FLYWHEEL,STARTER

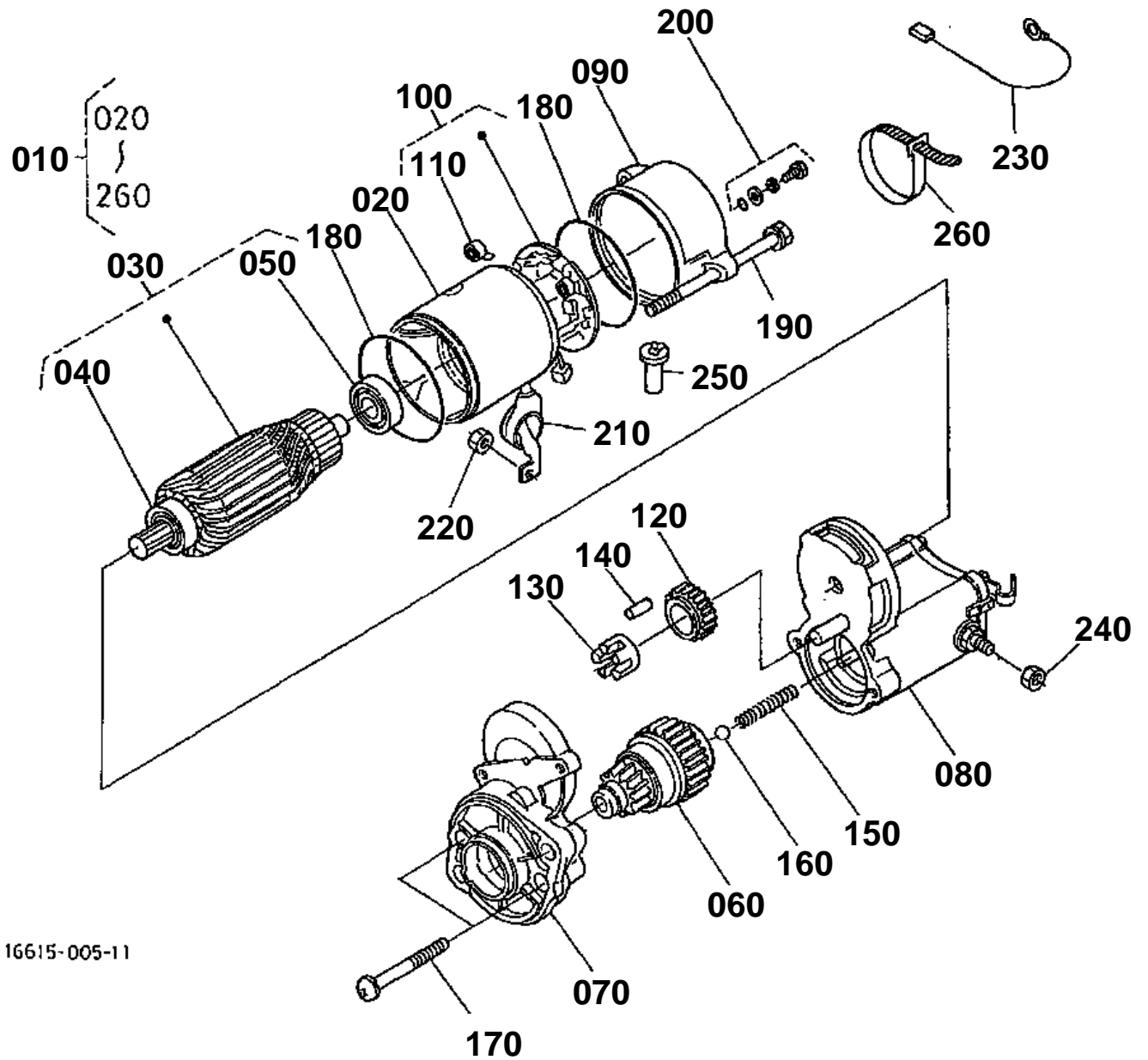


**FLYWHEEL,STARTER**

↔ Interchangeable; ≠ not interchangeable; ← new for old; → old for new

REF.No	Part No.	Description	Q'ty	S.No.	I/C	REMARKS	Weight (kgf)	Weight (lb)
010	16264-25015	COMP.FLYWHEEL	1				12.3	27.06
020	99999-99999	BLANK	0				0	0
030	16241-25160	BOLT FLYWHEEL	6				0.03	0.066
040	16264-04623	PLATE REAR END	1				2.7	5.94
050	15261-91190	BOLT	8				0.03	0.066
060	05012-00814	PIN STRAIGHT	1	<=WT2678			0.006	0.0132
060	16221-94530	PIN STRAIGHT	1	>=WU0001	↔		0.006	0.0132
070	16611-63010	ASSY STARTER	1				3.95	8.69
080	01123-50830	BOLT	2				0.015	0.033

STARTER [COMPONENT PARTS]



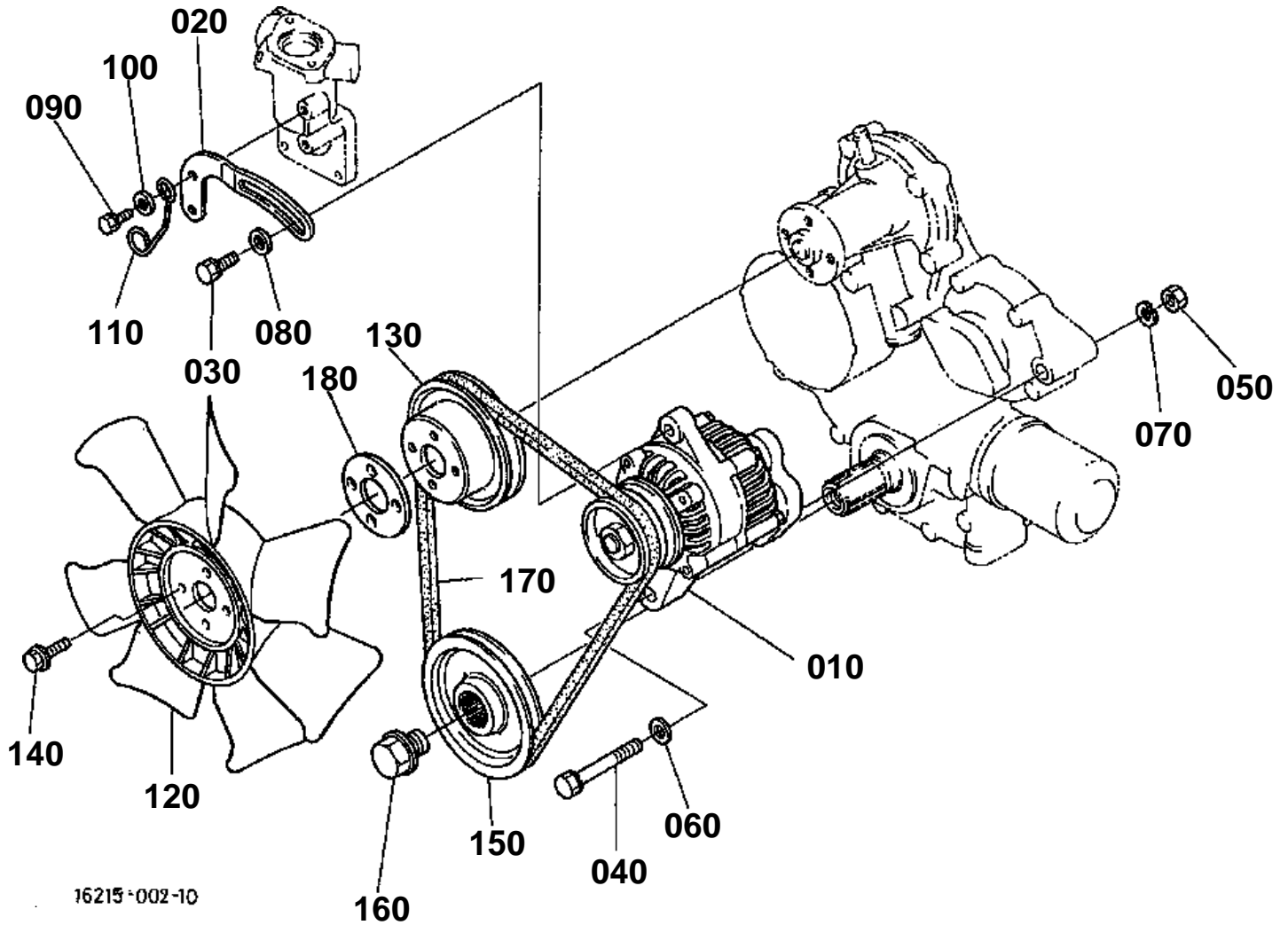
16615-005-11

**STARTER [COMPONENT PARTS]**

↔ Interchangeable; ≠ not interchangeable; ← new for old; → old for new

REF.No	Part No.	Description	Q'ty	S.No.	I/C	REMARKS	Weight (kgf)	Weight (lb)
010	16611-63010	ASSY STARTER	1				3.95	8.69
020	16661-63080	ASSY YOKE	1				0.96	2.112
030	11197-63070	ASSY ARMATURE	1				0.8	1.76
040	11460-63500	BEARING	1				0.03	0.066
050	11460-63530	BEARING	1				0.02	0.044
060	16611-63040	CLUTCH OVER RUNNING	1				0.08	0.176
070	16611-63030	FRAME DRIVE END	1				0.1	0.22
080	16285-63020	ASSY SWITCH MAGNETIC	1				0.95	2.09
090	17341-63200	FRAME END	1				0.13	0.286
100	11197-63380	ASSY HOLDER BRUSH	1				0.05	0.11
110	15401-63390	SPRING BRUSH	4				0.003	0.0066
120	11460-63270	GEAR	1				0.04	0.088
130	11460-63110	RETAINER	1				0.01	0.022
140	19212-63100	ROLLER	5				0.002	0.0044
150	11460-63120	SPRING	1				0.01	0.022
160	19212-97130	BALL	1				0.003	0.0066
170	11460-93310	BOLT	2				0.01	0.022
180	15511-96660	O RING	2				0.005	0.011
190	11197-63320	BOLT	2				0.02	0.044
200	15511-63760	ASSY BOLT	2				0.005	0.011
210	16611-63450	COVER	1				0.03	0.066
220	16611-92020	NUT HEXAGON	1				0.005	0.011
230	16611-63660	CORD STOP SOLENOID	1				0.005	0.011
240	16285-92010	NUT HEXAGON	1				0.005	0.011
250	16285-63570	PIPE DRAIN	1				0.005	0.011
260	16612-63100	BAND COVER	1				0.01	0.022

ALTERNATOR



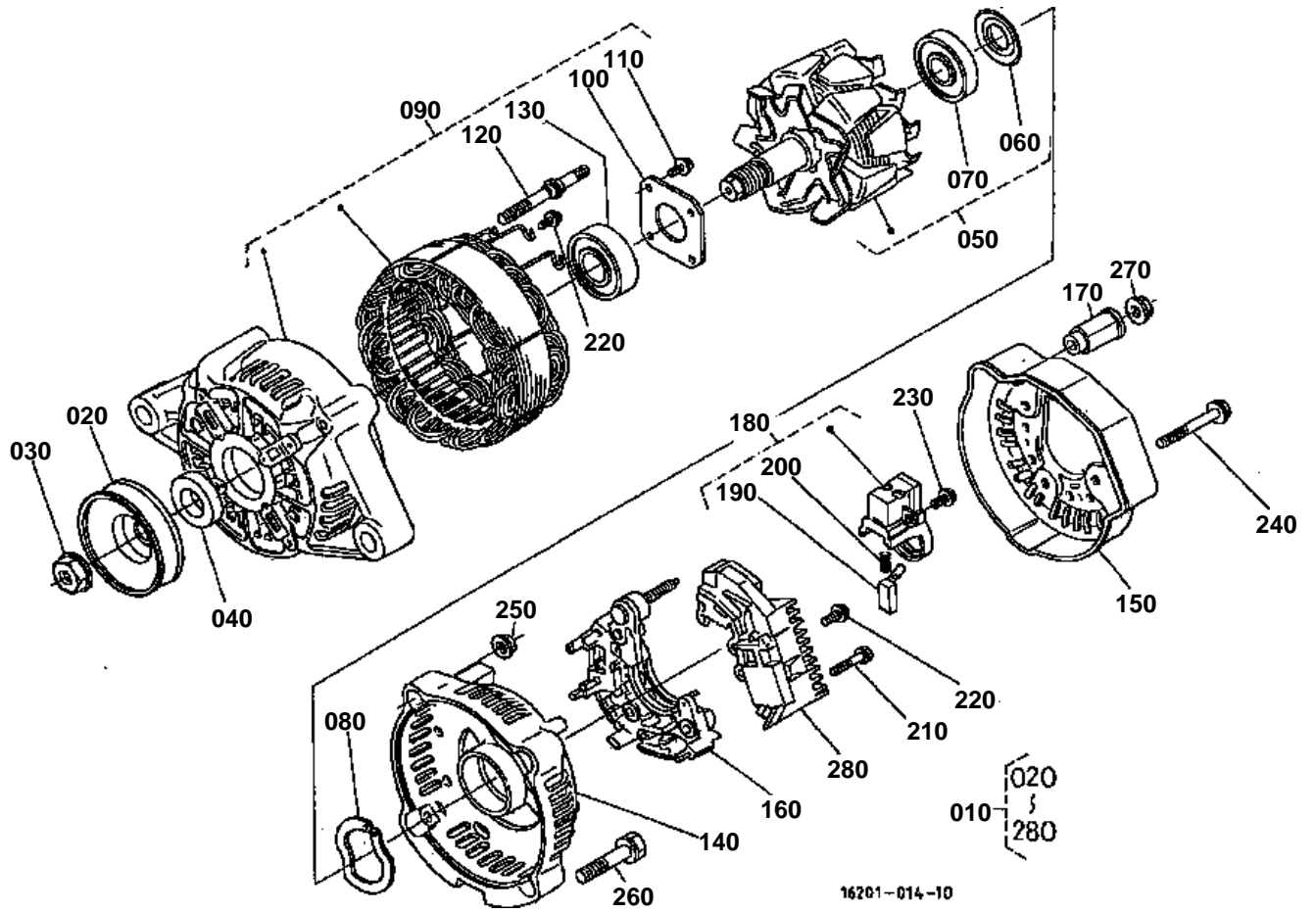


ALTERNATOR

↔ Interchangeable; ≠ not interchangeable; ← new for old; → old for new

REF.No	Part No.	Description	Q'ty	S.No.	I/C	REMARKS	Weight (kgf)	Weight (lb)
010	16241-64012	ASSY ALTERNATOR	1				3	6.6
020	16241-64420	STAY DYNAMO	1				0.095	0.209
030	01123-50825	BOLT	1	≤139735			0.013	0.0286
030	01123-50830	BOLT	1	≥139736	↔		0.015	0.033
040	01173-51085	BOLT	1				0.051	0.1122
050	02176-50100	NUT	1				0.005	0.011
060	04011-50100	WASHER PLAIN	1				0.002	0.0044
070	04512-60100	WASHER SPRING	1				0.002	0.0044
080	04015-60080	WASHER PLAIN	1				0.01	0.022
090	01023-50618	BOLT	1				0.006	0.0132
100	04012-50060	WASHER PLAIN	1				0.001	0.0022
110	16271-83370	CLAMP CORD	1				0.005	0.011
120	16204-74110	FAN	1				0.44	0.968
130	16217-74250	PULLEY FAN	1				0.2	0.44
140	01754-50622	BOLT FLANGE	4	≤139735			0.007	0.0154
140	01754-50620	BOLT FLANGE	4	≥139736	↔		0.007	0.0154
150	16261-74280	PULLEY FAN DRIVE	1				1.14	2.508
160	16241-91020	BOLT FAN DRIVE	1				0.1	0.22
170	16241-97010	V BELT	1				0.08	0.176
180	15876-74150	COLLAR FAN	1				0.05	0.11

ALTERNATOR [COMPONENT PARTS]

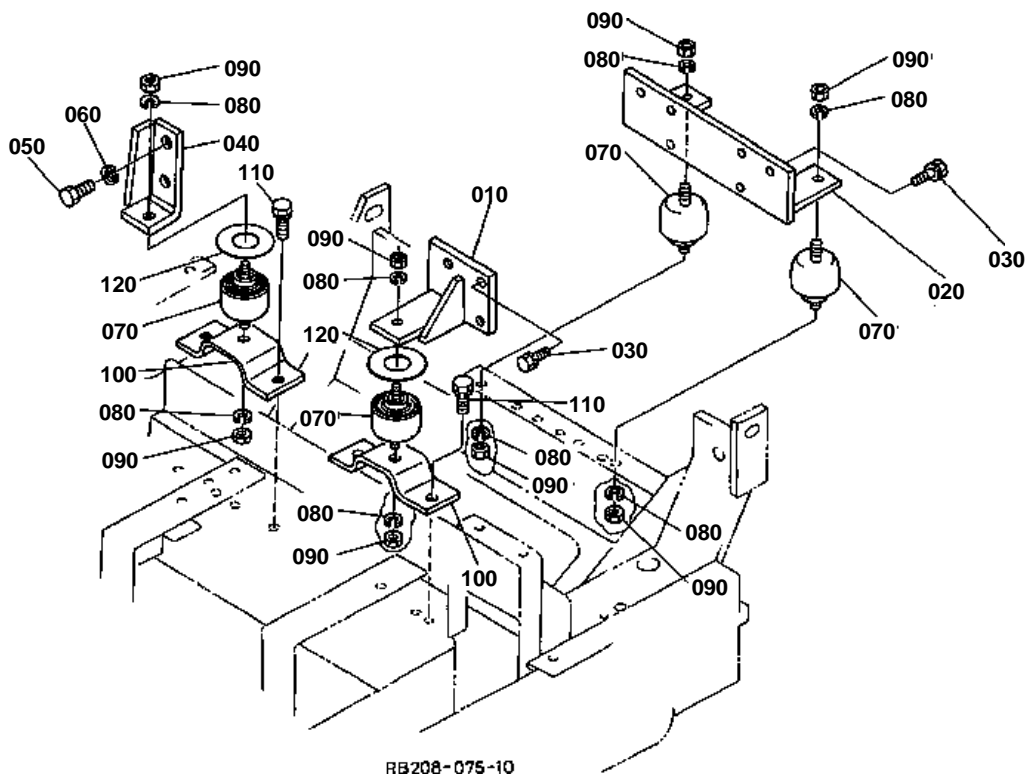


**ALTERNATOR [COMPONENT PARTS]**

↔ Interchangeable; ≠ not interchangeable; ← new for old; → old for new

REF.No	Part No.	Description	Q'ty	S.No.	I/C	REMARKS	Weight (kgf)	Weight (lb)
010	16241-64012	ASSY ALTERNATOR	1				3	6.6
020	15881-64110	PULLEY DYNAMO	1				0.16	0.352
030	15881-92010	NUT	1				0.02	0.044
040	15881-64150	COLLAR	1				0.004	0.0088
050	66436-64040	ROTOR	1				1.2	2.64
060	15881-64800	COVER BEARING	1				0.001	0.0022
070	15881-64770	BEARING BALL	1				0.04	0.088
080	15881-64810	WASHER THRUST	1				0.002	0.0044
090	15881-64020	FRAME DRIVE END	1				1.2	2.64
100	15881-64710	PLATE RETAINER	1				0.01	0.022
110	15881-93010	SCREW ROUND HEAD	4				0.003	0.0066
120	15881-64260	BOLT THROUGH	2				0.01	0.022
130	15881-64780	BEARING BALL	1				0.05	0.11
140	16241-64060	FRAME END	1				0.2	0.44
150	16241-64230	COVER END	1				0	0
160	16241-64850	ASSY RECTIFIER	1				0.16	0.352
170	16241-64900	BUSH INSULATION	1				0.007	0.0154
180	15881-64310	HOLDER BRUSH	1				0.025	0.055
190	15881-64090	BRUSH	2				0.002	0.0044
200	15881-64330	SPRING BRUSH	2				0.002	0.0044
210	15881-93020	SCREW ROUND HEAD	2				0.005	0.011
220	15881-93030	SCREW ROUND HEAD	6				0.003	0.0066
230	15881-93040	SCREW ROUND HEAD	1				0.003	0.0066
240	15881-91040	BOLT	3				0.005	0.011
250	15881-92020	NUT	2				0.02	0.044
260	15881-91050	BOLT	2				0.01	0.022
270	14182-92030	NUT	1				0.003	0.0066
280	15881-64600	ASSY REGULATOR	1				0.1	0.22

ENGINE BRACKET



RB208-075-10

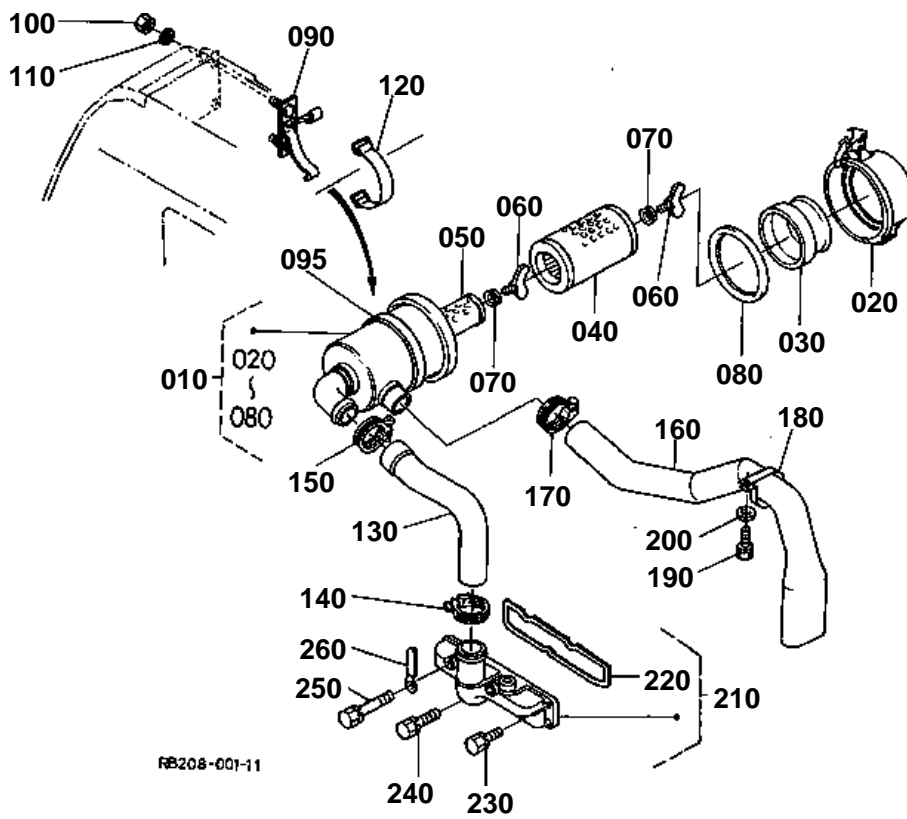


ENGINE BRACKET

↔ Interchangeable; ≠ not interchangeable; ← new for old; → old for new

REF.No	Part No.	Description	Q'ty	S.No.	I/C	REMARKS	Weight (kgf)	Weight (lb)
010	68311-42110	BRACKET ENGINE	1				0.89	1.958
020	RB201-42120	BRACKET ENGINE	1				0.8	1.76
030	01133-61025	BOLT	9				0.02	0.044
040	68311-42130	BRACKET ENGINE	1				0.57	1.254
050	01173-61425	BOLT	2				0.05	0.11
060	04512-60140	WASHER SPRING	2				0.008	0.0176
070	68051-42160	CUSHION RUBBER	4				0.37	0.814
080	04512-60100	WASHER SPRING	8				0.002	0.0044
090	02118-60100	NUT	8				0.006	0.0132
100	68191-42180	SUPPORT ENGINE	2				0.42	0.924
110	01133-61025	BOLT	4				0.02	0.044
120	RC101-42170	COVER RUBBER SEAT	2	>=11641			0.004	0.0088

AIR CLEANER, INLET MANIFOLD

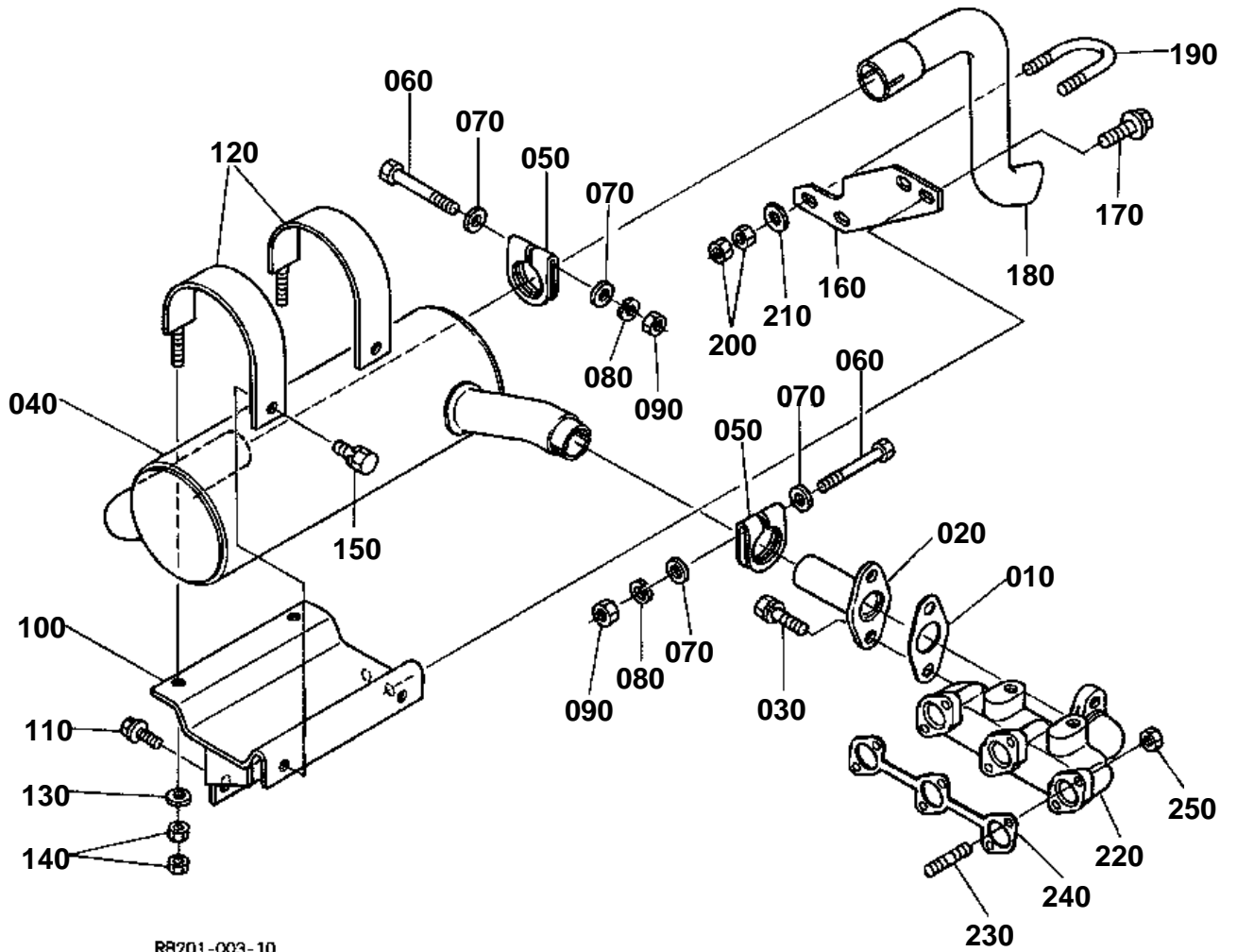


**AIR CLEANER,INLET MANIFOLD**

↔ Interchangeable; ≠ not interchangeable; ← new for old; → old for new

REF.No	Part No.	Description	Q'ty	S.No.	I/C	REMARKS	Weight (kgf)	Weight (lb)
010	RB208-42200	ASSY CLEANER AIR	1				1.5	3.3
020	RC108-42060	ASSY CUP	1				0.25	0.55
030	6C040-94230	RETAINER ELEMENT	1				0.049	0.1078
040	6C040-94240	ELEMENT OUTER	1				0.3	0.66
050	6C040-94250	ELEMENT INNER	1				0.108	0.2376
060	6C040-94260	NUT WING	2				0.001	0.0022
070	RC108-42070	WASHER SEAL	2				0.008	0.0176
080	RC108-42080	GASKET	1				0.01	0.022
090	69191-42250	BASE AIR CLEANER	1				0.21	0.462
095	34150-13970	CUSHION	1				0.02	0.044
100	02114-60080	NUT	2				0.002	0.0044
110	04512-60080	WASHER SPRING	2				0.002	0.0044
120	67401-54290	BAND AIR CLEANER	1				0.06	0.132
130	RB208-42220	HOSE INLET	1				0.3	0.66
140	15261-11720	BAND PIPE	1				0.03	0.066
150	15221-11720	BAND PIPE	1				0.03	0.066
160	RB208-42230	HOSE INLET	1				0.79	1.738
170	15221-11720	BAND PIPE	1				0.03	0.066
180	68731-42272	BAND PIPE	1				0.05	0.11
190	01133-61016	BOLT	1				0.018	0.0396
200	04013-60100	WASHER PLAIN	1				0.003	0.0066
210	16264-11770	ASSY MANIFOLD INLET	1				0.26	0.572
220	16261-11822	GASKET IN-MANIFOLD	1				0.01	0.022
230	01023-50618	BOLT	3				0.006	0.0132
240	01023-50630	BOLT	1				0.008	0.0176
250	01023-60650	BOLT WITH WASHER	2				0.015	0.033
260	15272-67590	CLAMP CORD	1				0.004	0.0088

MUFFLER,EXHAUST MANIFOLD



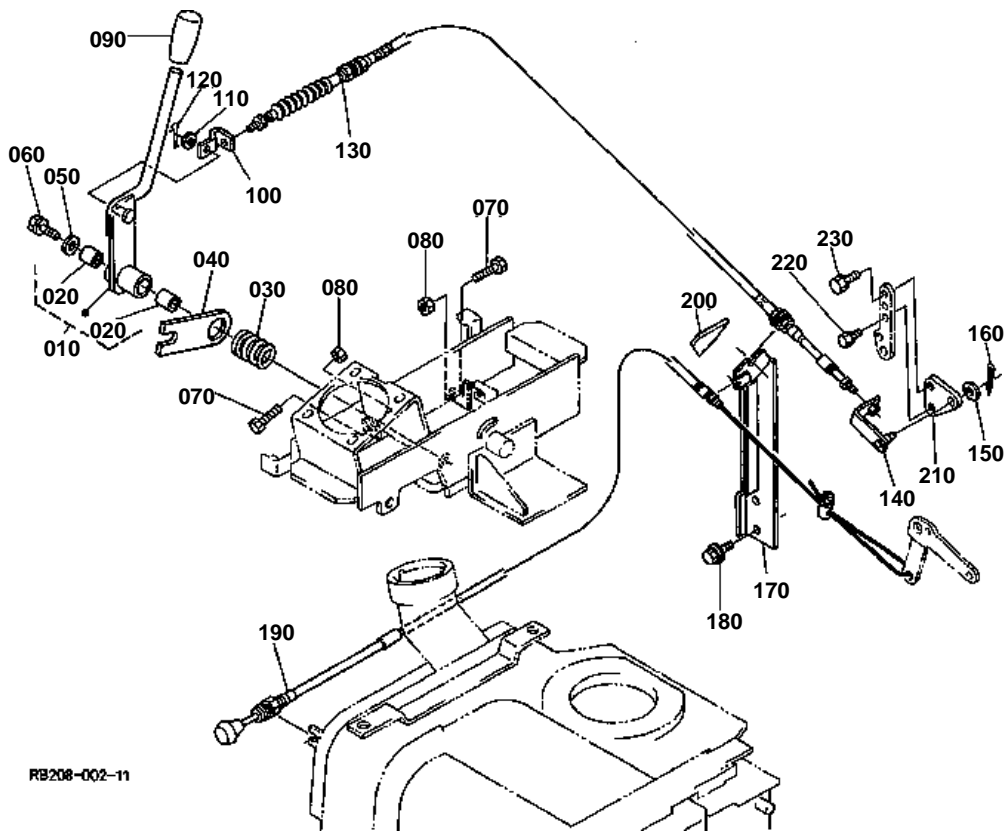
R8201-003-10

**MUFFLER,EXHAUST MANIFOLD**

↔ Interchangeable; ≠ not interchangeable; ← new for old; → old for new

REF.No	Part No.	Description	Q'ty	S.No.	I/C	REMARKS	Weight (kgf)	Weight (lb)
010	15313-12370	GASKET NA	1				0.008	0.0176
020	68741-42450	FLANGE MUFFLER	1				0.18	0.396
030	01133-61025	BOLT	2				0.02	0.044
040	RB201-42410	MUFFLER	1				3	6.6
050	66711-54420	BAND PIPE	2				0.038	0.0836
060	01153-60865	BOLT	2				0.04	0.088
070	04013-60080	WASHER PLAIN	4				0.002	0.0044
080	04512-60080	WASHER SPRING	2				0.002	0.0044
090	02114-60080	NUT	2				0.002	0.0044
100	RB201-42420	BRACKET MUFFLER	1				2.1	4.62
110	01135-61020	BOLT	4				0.015	0.033
120	68731-42420	BAND MUFFLER	2				0.26	0.572
130	04013-60100	WASHER PLAIN	2				0.003	0.0066
140	02118-60100	NUT	4				0.006	0.0132
150	01133-61020	BOLT	2				0.02	0.044
160	RB201-42430	BRACKET PIPE	1				0.25	0.55
170	01135-61025	BOLT	2				0.04	0.088
180	RB201-42440	PIPE MUFFLER	1				0.32	0.704
190	68271-42530	U-BOLT	1				0.07	0.154
200	02114-60100	NUT	4				0.008	0.0176
210	04013-60100	WASHER PLAIN	2				0.003	0.0066
220	16264-12310	MANIFOLD EXHAUST	1				1.7	3.74
230	16241-91490	STUD	6				0.005	0.011
240	16261-12350	GASKET EX-MANIFOLD	1				0.019	0.0418
250	16271-92010	NUT	6				0.005	0.011

ACCEL LEVER



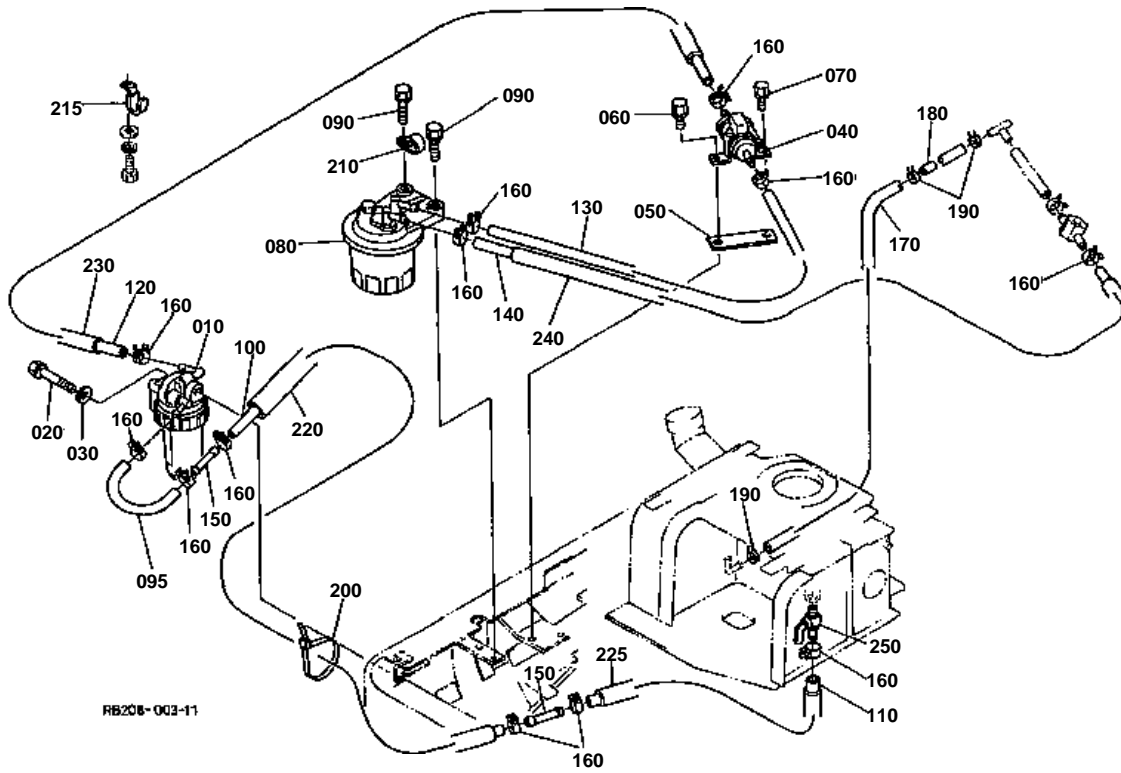
RB208-002-11

**ACCEL LEVER**

↔ Interchangeable; ≠ not interchangeable; ← new for old; → old for new

REF.No	Part No.	Description	Q'ty	S.No.	I/C	REMARKS	Weight (kgf)	Weight (lb)
010	RB101-35100	ASSY LEVER ACCEL.	1				0.62	1.364
020	08511-01615	BUSH	2				0.01	0.022
030	RC101-35120	SPRING	1				0.13	0.286
040	RC101-35170	PLATE	1				0.071	0.1562
050	04015-60100	WASHER PLAIN	1				0.015	0.033
060	01133-61025	BOLT	1				0.02	0.044
070	01175-61045	BOLT	2				0.04	0.088
080	02118-60100	NUT	2				0.006	0.0132
090	55611-31460	GRIP LEVER	1				0.03	0.066
100	RB101-35070	ADAPTER	1				0.024	0.0528
110	04012-50060	WASHER PLAIN	1				0.001	0.0022
120	05511-51612	PIN SPLIT	1				0.001	0.0022
130	RB208-35130	CABLE ACCEL	1				0.26	0.572
140	RB301-35170	PLATE	1				0.08	0.176
150	04012-50080	WASHER PLAIN	1				0.001	0.0022
160	05511-50215	PIN SPLIT	1				0.001	0.0022
170	RB208-35220	SUPPORT ACCEL	1				1.4	3.08
180	01135-61020	BOLT	2				0.015	0.033
190	RB208-53230	CABLE STOP	1	<=11090			0	0
190	RB208-53232	CABLE STOP	1	>=11091	←		0.12	0.264
200	RB301-35230	CUSHION	1				0.008	0.0176
210	RB301-35180	BRACKET LEVER	1				0.055	0.121
220	01023-60612	BOLT	1				0.008	0.0176
230	01123-60816	BOLT	1				0.01	0.022

FUEL PIPING

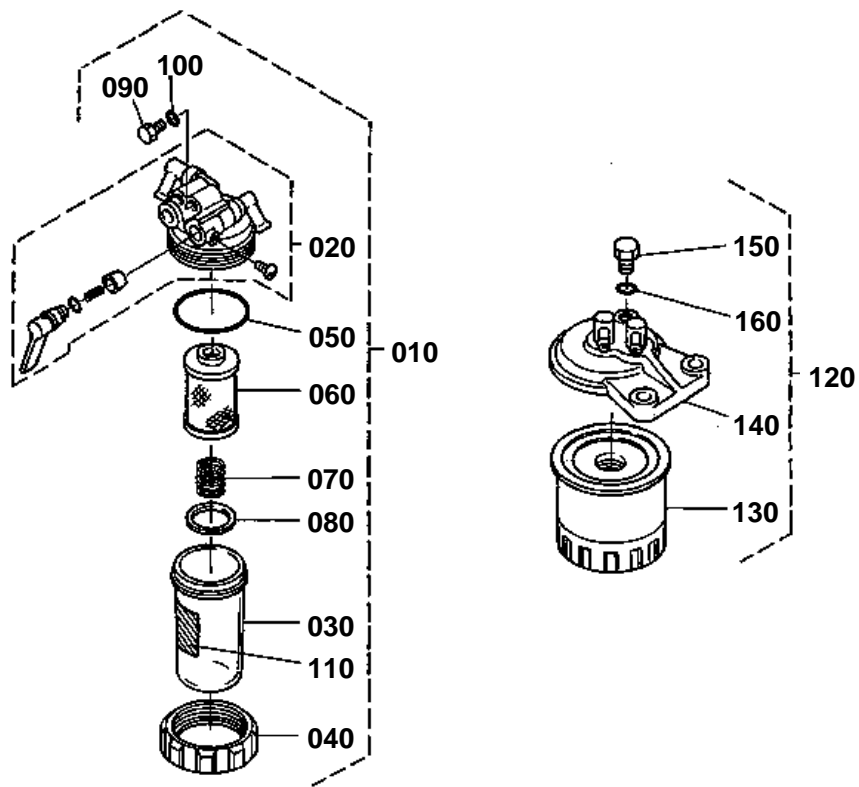


**FUEL PIPING**

↔ Interchangeable; ≠ not interchangeable; ← new for old; → old for new

REF.No	Part No.	Description	Q'ty	S.No.	I/C	REMARKS	Weight (kgf)	Weight (lb)
010	RB101-51260	ASSY FILTER	1				0.3	0.66
020	01123-60865	BOLT	1				0.025	0.055
030	04013-60080	WASHER PLAIN	1				0.002	0.0044
040	16851-52030	ASSY PUMP FUEL	1				0.2	0.44
050	66591-54560	CUSHION RUBBER	1				0.014	0.0308
060	01123-60814	BOLT	1				0.01	0.022
070	01202-60612	BOLT	1				0.006	0.0132
080	54711-23412	ASSY FILTER FUEL	1				0.52	1.144
090	01123-60820	BOLT	2				0.015	0.033
095	RB101-51250	TUBE FUEL	1				0.017	0.0374
100	09664-80300	TUBE FUEL	1				0.03	0.066
110	09664-80550	TUBE FUEL	1				0.06	0.132
120	09664-80490	TUBE FUEL	1				0.05	0.11
130	09664-80250	TUBE FUEL	1				0.02	0.044
140	09664-81300	TUBE FUEL	1				0.14	0.308
150	69181-51320	JOINT PIPE	2				0.006	0.0132
160	14301-42750	CLIP PIPE	12				0.005	0.011
170	09664-40500	TUBE FUEL	1				0.03	0.066
170	09664-40600	TUBE FUEL	1		≠		0.04	0.088
180	RC301-51170	THROTTLE	1				0.001	0.0022
190	10244-42320	CLIP PIPE	3				0.001	0.0022
200	55311-41260	BAND CORD	5				0.007	0.0154
210	34150-29390	CLAMP CORD	1				0.004	0.0088
215	36200-77610	ASSY CLAMP CORD	1				0.002	0.0044
220	RB208-51180	TUBE	1				0.032	0.0704
225	RC101-51180	TUBE	1				0.06	0.132
230	68701-51340	TUBE PROTECTOR	1				0.06	0.132
240	69241-51150	TUBE	1				0.155	0.341
250	15193-41380	COCK FUEL	1				0.075	0.165

FUEL FILTER [COMPONENT PARTS]



RB101-006-20

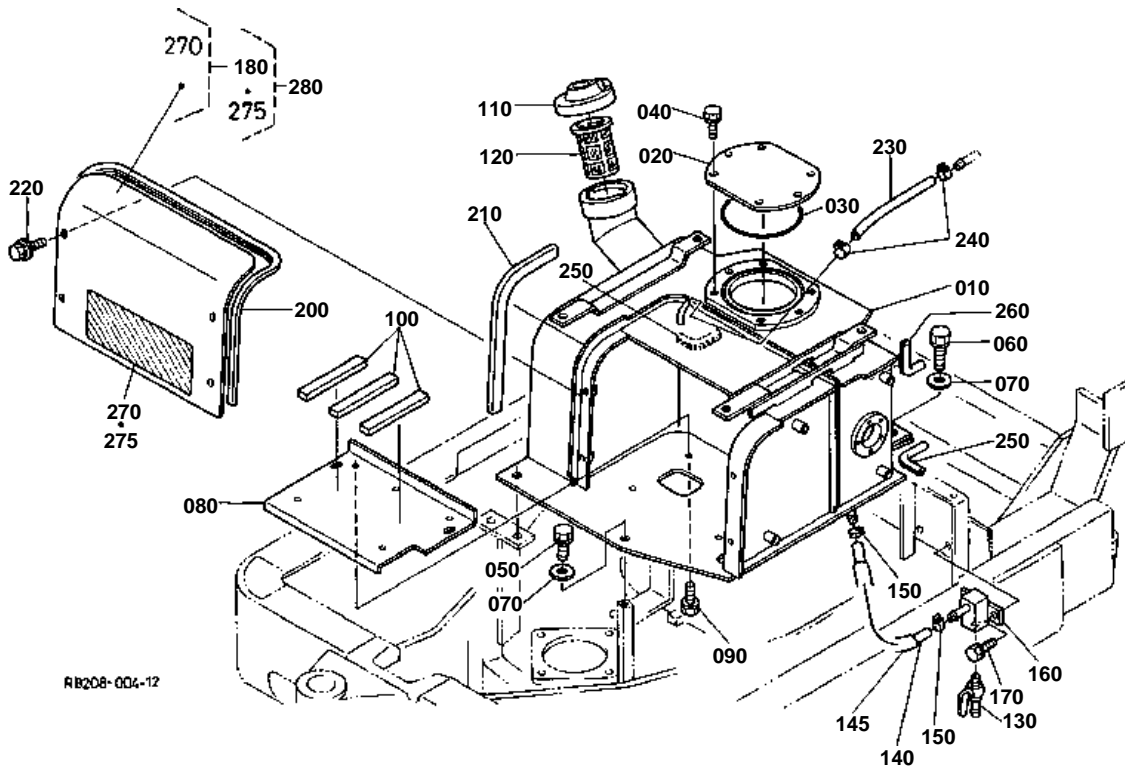


FUEL FILTER [COMPONENT PARTS]

↔ Interchangeable; ≠ not interchangeable; ← new for old; → old for new

REF.No	Part No.	Description	Q'ty	S.No.	I/C	REMARKS	Weight (kgf)	Weight (lb)
010	RB101-51260	ASSY FILTER	1				0.3	0.66
020	15831-43110	COMP.BODY	1				0.14	0.308
030	RB101-51270	CUP FILTER	1				0.025	0.055
040	16271-43590	RING RETAINING	1				0.075	0.165
050	16271-43570	O RING FILTER CUP	1				0.001	0.0022
060	RB101-51280	ELEMENT	1				0.035	0.077
070	15831-43930	SPRING	1				0.005	0.011
080	15831-43250	FLOAT	1				0.001	0.0022
090	15231-43283	SCREW AIR BREATHER	1				0.003	0.0066
100	15831-43340	GASKET	1				0.001	0.0022
110	15831-87462	LABEL	1				0.001	0.0022
120	54711-23412	ASSY FILTER FUEL	1				0.52	1.144
130	15221-43170	ELEMENT FILTER	1				0.31	0.682
140	54711-23400	ASSY COVER FILTER	1				0.23	0.506
150	19222-43280	PLUG FILTER BREATHER	1				0.01	0.022
160	15108-43290	O RING	1				0.001	0.0022

FUEL TANK



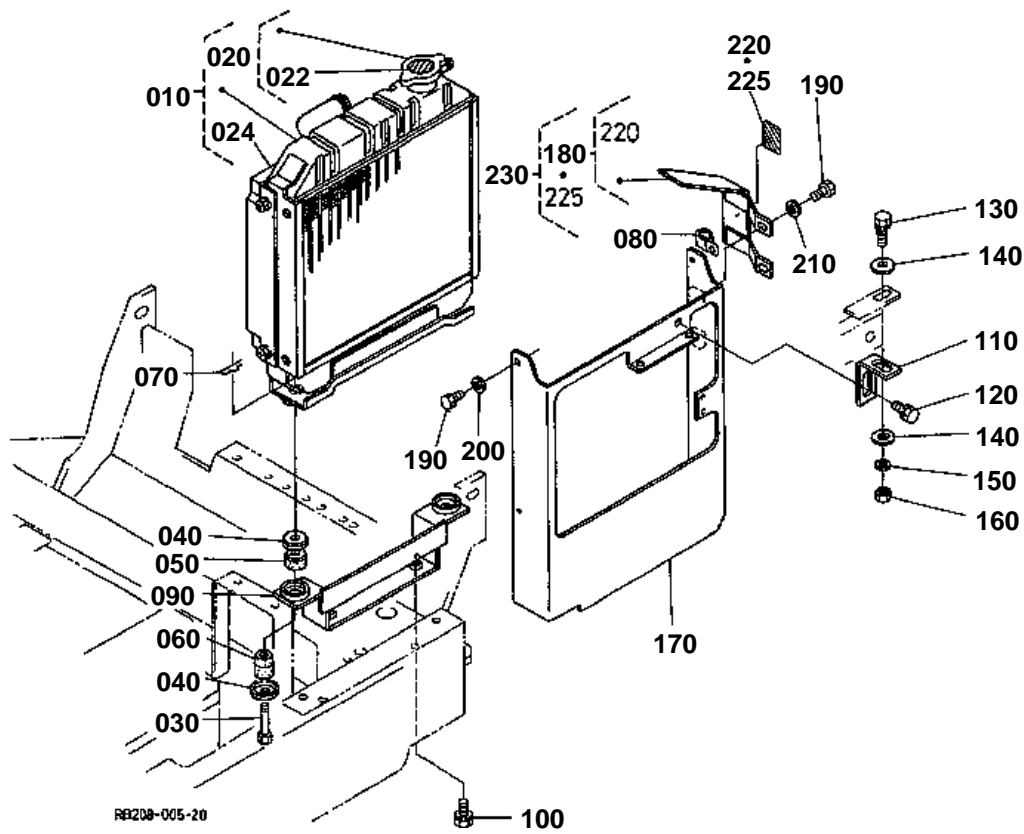
RB208-004-12

**FUEL TANK**

↔ Interchangeable; ≠ not interchangeable; ← new for old; → old for new

REF.No	Part No.	Description	Q'ty	S.No.	I/C	REMARKS	Weight (kgf)	Weight (lb)
010	RB208-51110	TANK FUEL	1				20	44
020	68191-51240	COVER FUEL TANK	1				0.82	1.804
030	68311-51260	RING	1				0.01	0.022
040	01123-60816	BOLT	6				0.01	0.022
050	01133-61225	BOLT	2				0.037	0.0814
060	01133-61235	BOLT	2				0.043	0.0946
070	04013-60120	WASHER PLAIN	4				0.01	0.022
080	RB208-51370	SUPPORT BATTERY	1				1.7	3.74
090	01133-51020	BOLT	5	<=11103			0.02	0.044
090	01133-61020	BOLT	5	>=11104	←		0.02	0.044
100	34150-33220	CUSHION	3				0.015	0.033
110	RC101-51120	CAP TANK	1				0.33	0.726
120	14261-41350	FILTER	1				0.02	0.044
130	15193-41380	COCK FUEL	1				0.075	0.165
140	09664-80500	TUBE FUEL	1				0.055	0.121
145	RB208-51180	TUBE	1				0.032	0.0704
150	14301-42750	CLIP PIPE	2				0.005	0.011
160	RB208-51352	ADAPTER DRAIN	1	<=11032			0.43	0.946
160	RB208-51352	ADAPTER DRAIN	1	>=11033	←		0.43	0.946
170	01133-61020	BOLT	2				0.02	0.044
180	RB208-91382	KIT COVER BATTERY(A)	1				1.45	3.19
190	99999-99999	BLANK	0				0	0
200	RB208-51330	SEAL RUBBER	1				0.8	1.76
210	RB208-51340	TRIM SASH	1				0.048	0.1056
220	01025-60616	BOLT	4				0.01	0.022
230	09664-80300	TUBE FUEL	1				0.03	0.066
240	14301-42750	CLIP PIPE	2				0.005	0.011
250	69244-41130	TRIM	3	<=11032			0.012	0.0264
250	RB208-51380	TRIM	2	>=11033	↔		0.012	0.0264
260	RB208-51390	TRIM	1	>=11033			0.009	0.0198
270	68198-57790	LABEL CAUTION	1			ENGLISH	0	0
275	RC108-58630	LABEL CAUTION	1			FRENCH	0	0
280	RB208-91680	KIT COVER BATTERY(B)	1				0	0

RADIATOR

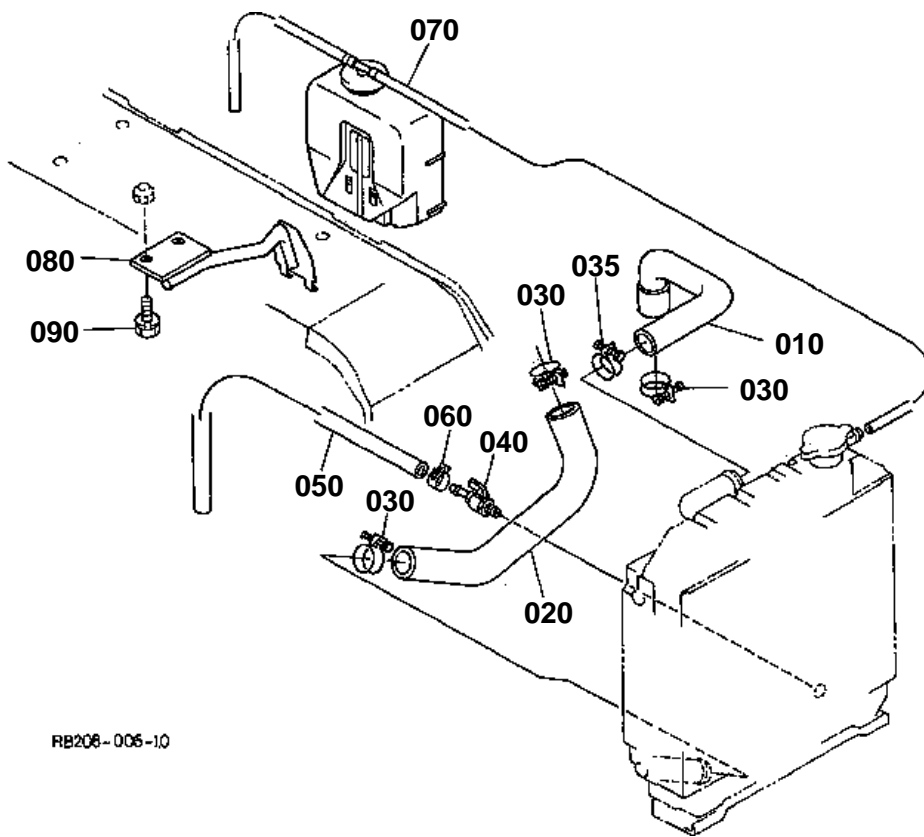




RADIATOR

↔ Interchangeable; ≠ not interchangeable; ← new for old; → old for new

REF.No	Part No.	Description	Q'ty	S.No.	I/C	REMARKS	Weight (kgf)	Weight (lb)
010	RB201-42300	ASSY RADIATOR	1				6	13.2
020	15272-72020	ASSY CAP	1				0.071	0.1562
022	19077-87240	LABEL CAUTION	1				0.002	0.0044
024	RB201-42520	SHROUD FAN	1				0.57	1.254
030	15108-72380	BOLT	2				0.04	0.088
040	15111-72200	WASHER	4				0.013	0.0286
050	15111-72180	CUSHION	2				0.015	0.033
060	15111-72190	CUSHION	2				0.016	0.0352
070	05515-61000	PIN SNAP	2				0.003	0.0066
080	15272-67590	CLAMP CORD	1				0.004	0.0088
090	RB101-42310	BRACKET RADIATOR	1				1.2	2.64
100	01133-61030	BOLT	2				0.023	0.0506
110	RB201-42320	SUPPORT RADIATOR	1				0.05	0.11
120	01135-61020	BOLT	1				0.015	0.033
130	01173-61025	BOLT	1				0.02	0.044
140	04013-60100	WASHER PLAIN	2				0.003	0.0066
150	04512-60100	WASHER SPRING	1				0.002	0.0044
160	02118-60100	NUT	1				0.006	0.0132
170	RB201-42370	PLATE PARTITION	1			≤NOV.98	0	0
170	RB201-42373	PLATE PARTITION	1		↔	≥DEC.98	2.4	5.28
180	RB208-91360	KIT COVER FAN(A)	1				4.458	9.8076
190	01202-60612	BOLT	6				0.006	0.0132
200	04013-60060	WASHER PLAIN	4				0.001	0.0022
210	04015-60060	WASHER PLAIN	2				0.005	0.011
220	RC108-57540	LABEL	1			ENGLISH	0.001	0.0022
225	RC108-58620	LABEL	1			FRENCH	0.001	0.0022
230	RB208-91660	KIT COVER FAN(B)	1				0	0



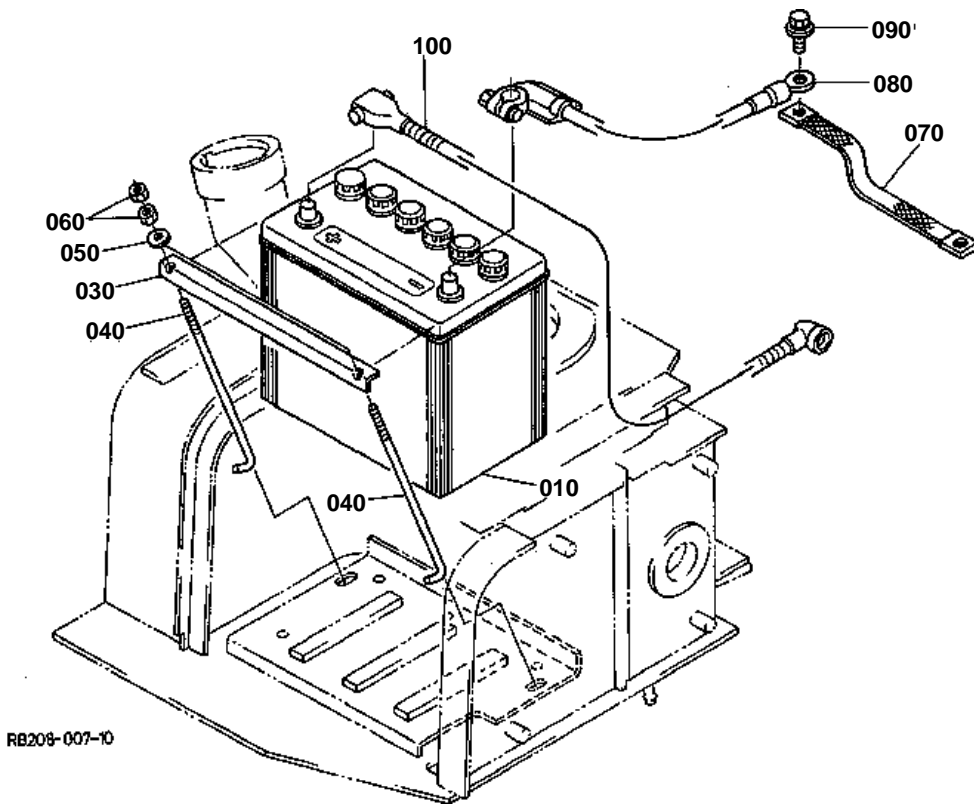
RB206-006-10

**WATER PIPE**

↔ Interchangeable; ≠ not interchangeable; ← new for old; → old for new

REF.No	Part No.	Description	Q'ty	S.No.	I/C	REMARKS	Weight (kgf)	Weight (lb)
010	RB201-42332	HOSE	1				0.132	0.2904
020	RB201-42342	HOSE	1				0.2	0.44
030	09318-89039	CLAMP HOSE	3				0.02	0.044
035	09318-89033	CLAMP HOSE	1				0.03	0.066
040	15000-34390	COCK DRAIN	1				0.078	0.1716
050	09664-80290	TUBE FUEL	1				0.03	0.066
060	14301-42750	CLIP PIPE	1				0.005	0.011
070	RB101-42470	ASSY TANK RESERVE	1				0.4	0.88
080	RB101-42460	STAY RESERVE TANK	1				0.8	1.76
090	01133-61020	BOLT	2				0.02	0.044

BATTERY

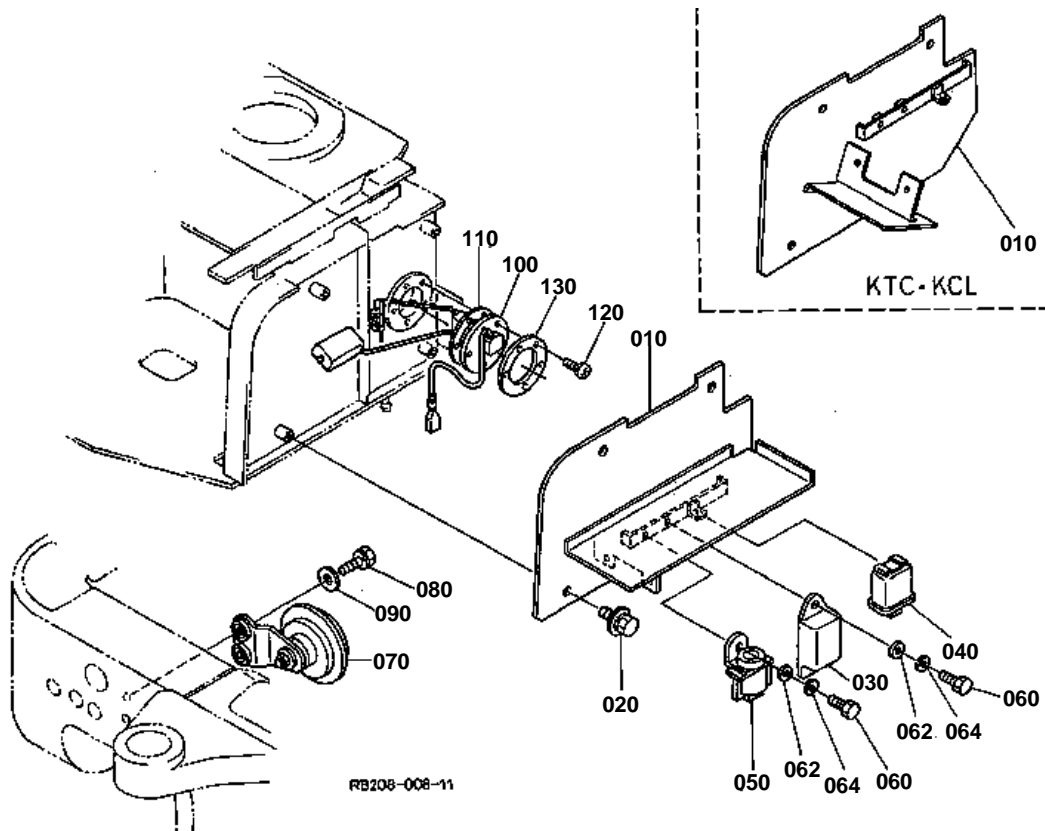


RB208-007-10

**BATTERY**

↔ Interchangeable; ≠ not interchangeable; ← new for old; → old for new

REF.No	Part No.	Description	Q'ty	S.No.	I/C	REMARKS	Weight (kgf)	Weight (lb)
010	68721-53232	BATTERY	1				0	0
020	99999-99999	BLANK	0				0	0
030	68721-53213	RETAINER BATTERY	1				0.2	0.44
040	68311-53240	BOLT BATTERY	2				0.05	0.11
050	04013-60060	WASHER PLAIN	2				0.001	0.0022
060	02014-60060	NUT	4				0.002	0.0044
070	68311-53250	CORD BODY EARTH	1				0.04	0.088
080	RB208-53260	CORD EARTH	1				0.64	1.408
090	01135-61020	BOLT	2				0.015	0.033
100	RC101-53230	CORD BATTERY	1				0.78	1.716



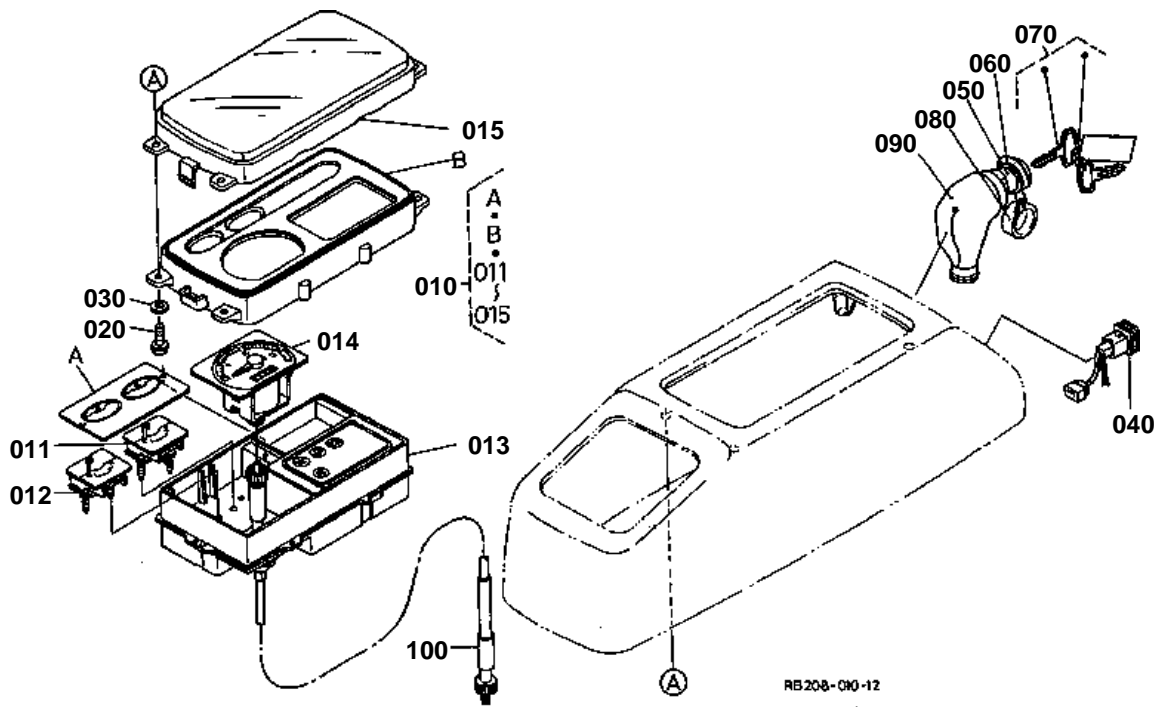


TIMER,HORN

↔ Interchangeable; ≠ not interchangeable; ← new for old; → old for new

REF.No	Part No.	Description	Q'ty	S.No.	I/C	REMARKS	Weight (kgf)	Weight (lb)
010	RB208-53120	BRACKET FUSE TOOL	1	<=11147		KTA	0	0
010	RB208-53122	BRACKET FUSE TOOL	1	>=11148	←	KTA	0.5	1.1
010	RB208-53190	BRACKET TPSS ELECTR.	1			KTC KCL	2	4.4
020	01125-60816	BOLT	4				0.01	0.022
030	15694-65990	TIMER GLOW LAMP	1				0.03	0.066
040	RC101-53650	RELAY TIMER	1				0.1	0.22
050	36530-55630	RELAY	1				0.06	0.132
060	01053-60616	BOLT	2				0.006	0.0132
062	04013-60060	WASHER PLAIN	2				0.001	0.0022
064	04512-60060	WASHER SPRING	2				0.001	0.0022
070	RC101-53360	ASSY HORN	1				0.26	0.572
080	01202-60620	BOLT	2				0.002	0.0044
090	04015-60060	WASHER PLAIN	2				0.005	0.011
100	68191-53140	SENSOR FUEL GAUGE	1				0.24	0.528
110	RC101-51342	GASKET	1				0.008	0.0176
120	03024-60516	SCREW WITH WASHER	5				0.003	0.0066
130	RC101-51330	PLATE FUEL UNIT	1				0.054	0.1188

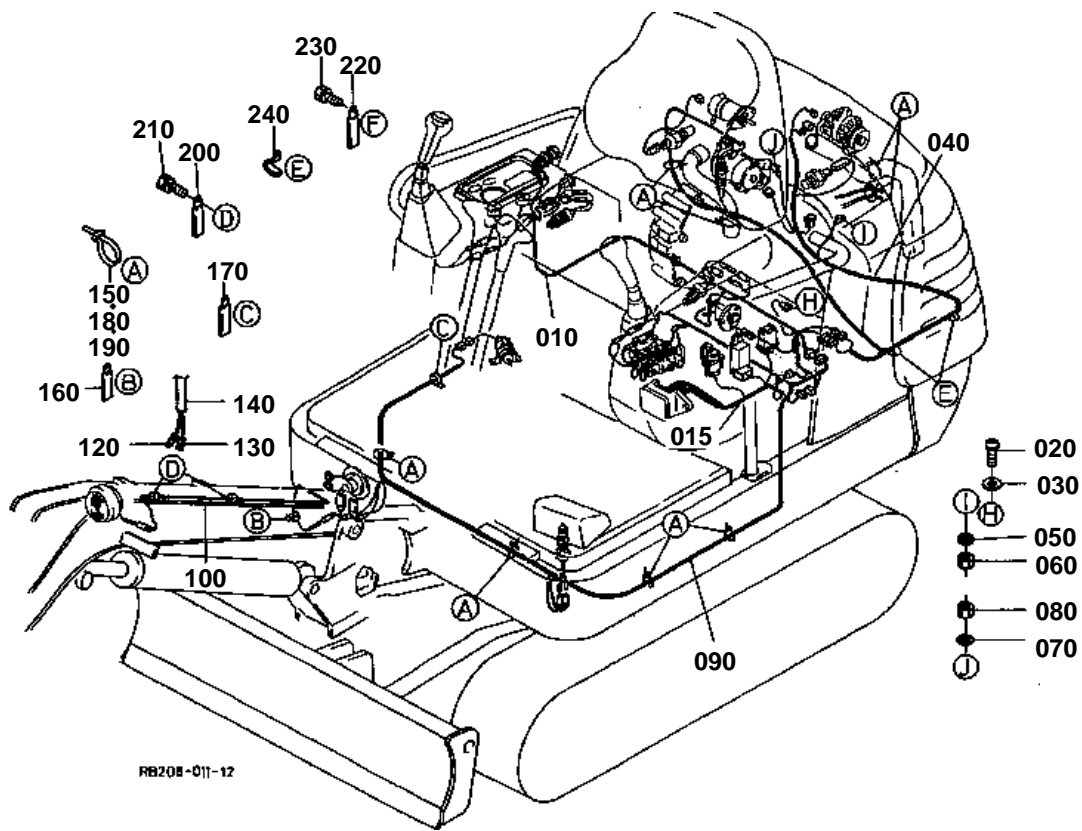
SWITCH,METER



**SWITCH,METER**

↔ Interchangeable; ≠ not interchangeable; ← new for old; → old for new

REF.No	Part No.	Description	Q'ty	S.No.	I/C	REMARKS	Weight (kgf)	Weight (lb)
010	RB201-53150	METER	1				0.8	1.76
011	RC101-53170	ASSY GAUGE SUB	1				0.05	0.11
012	RC101-53180	ASSY GAUGE SUB	1	<=11444			0	0
012	RC101-53182	ASSY GAUGE SUB	1	>=11445	←		0.02	0.044
013	RC101-53190	ASSY CASE SUB	1				0	0
014	RC401-53080	ASSY TACHOMETER	1				0.21	0.462
015	RC101-53090	WINDOW FRONT	1				0.24	0.528
020	03024-60416	SCREW WITH WASHER	4				0.001	0.0022
030	04013-60040	WASHER PLAIN	4				0.002	0.0044
040	36919-54222	SWITCH WORK LIGHT	1				0.04	0.088
050	RA111-53690	SWITCH STARTER	1	<=11715			0.27	0.594
050	RA111-53690	SWITCH STARTER	1	>=11716	↔		0.27	0.594
060	66706-55150	LABEL STARTER SWITCH	1				0.001	0.0022
070	RC101-53630	ASSY KEY STARTER	1				0.032	0.0704
080	54611-41120	CAP STARTER SWITCH	1				0.012	0.0264
090	68551-53210	COVER WATERPROOF	1	<=11715			0	0
090	RA111-53340	COVER DUSTPROOF	1	>=11716	↔		0.03	0.066
100	RB101-53240	CABLE METER	1				0.45	0.99

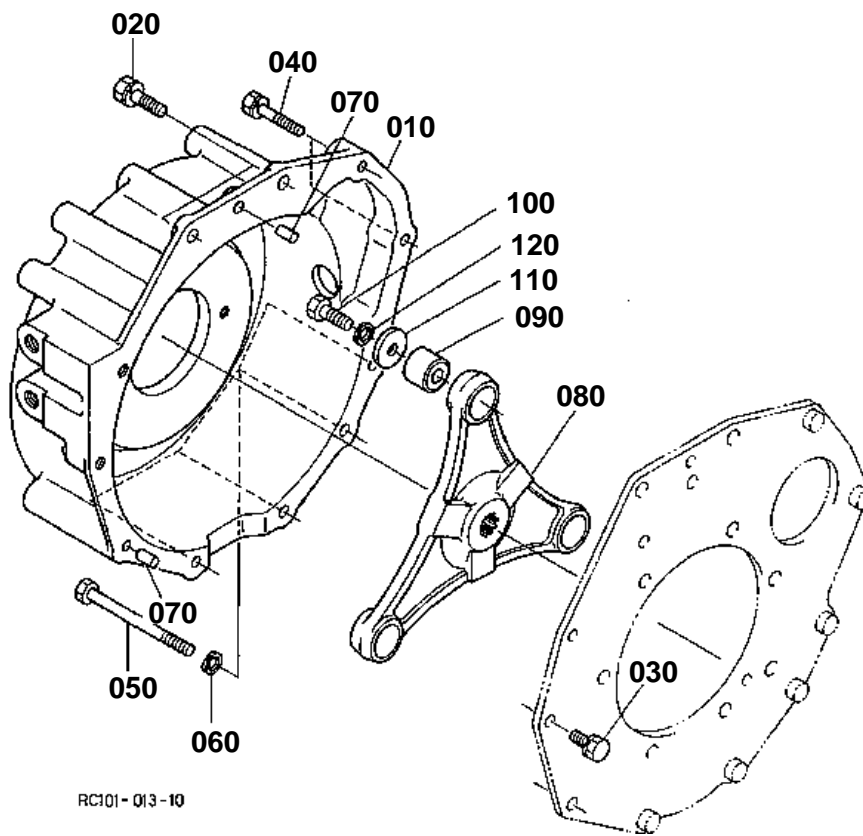


**ELECTRICAL WIRING**

↔ Interchangeable; ≠ not interchangeable; ← new for old; → old for new

REF.No	Part No.	Description	Q'ty	S.No.	I/C	REMARKS	Weight (kgf)	Weight (lb)
010	RB208-53350	WIRE HARNESS	1	≤11103			0.76	1.672
010	RB208-53353	WIRE HARNESS	1	≥11104	≠		0.63	1.386
015	RB208-53380	WIRE HARNESS	1	≥11104			0.18	0.396
020	03004-60616	SCREW WITH WASHER	2				0.01	0.022
030	04013-60060	WASHER PLAIN	2				0.001	0.0022
040	RB208-53360	WIRE HARNESS	1	≤11664			0	0
040	RB208-53364	WIRE HARNESS	1	≥11665	←		0.3	0.66
050	04512-60060	WASHER SPRING	1				0.001	0.0022
060	02014-60060	NUT	1				0.002	0.0044
070	04512-60080	WASHER SPRING	1				0.002	0.0044
080	02114-60080	NUT	1				0.002	0.0044
090	RB208-53370	WIRE HARNESS	1				0.19	0.418
100	RB208-53340	WIRE HARNESS	1				0.045	0.099
110	99999-99999	BLANK	0				0	0
120	68271-65900	ASSY TERMINAL	1				0.001	0.0022
130	68741-53400	ASSY TERMINAL	1				0.002	0.0044
140	RB101-53390	TUBE	1				0.002	0.0044
150	55311-41260	BAND CORD	2				0.007	0.0154
160	35340-29380	CLAMP CORD	1				0.01	0.022
170	34150-29390	CLAMP CORD	1				0.004	0.0088
180	55311-41260	BAND CORD	8				0.007	0.0154
190	55311-41260	BAND CORD	2				0.007	0.0154
200	68011-51160	CLAMP CORD	7				0.008	0.0176
210	01133-61016	BOLT	5				0.018	0.0396
220	90038-11170	CLAMP	1				0.025	0.055
230	01133-61016	BOLT	1				0.018	0.0396
240	36200-77610	ASSY CLAMP CORD	3				0.002	0.0044

PUMP HOUSING



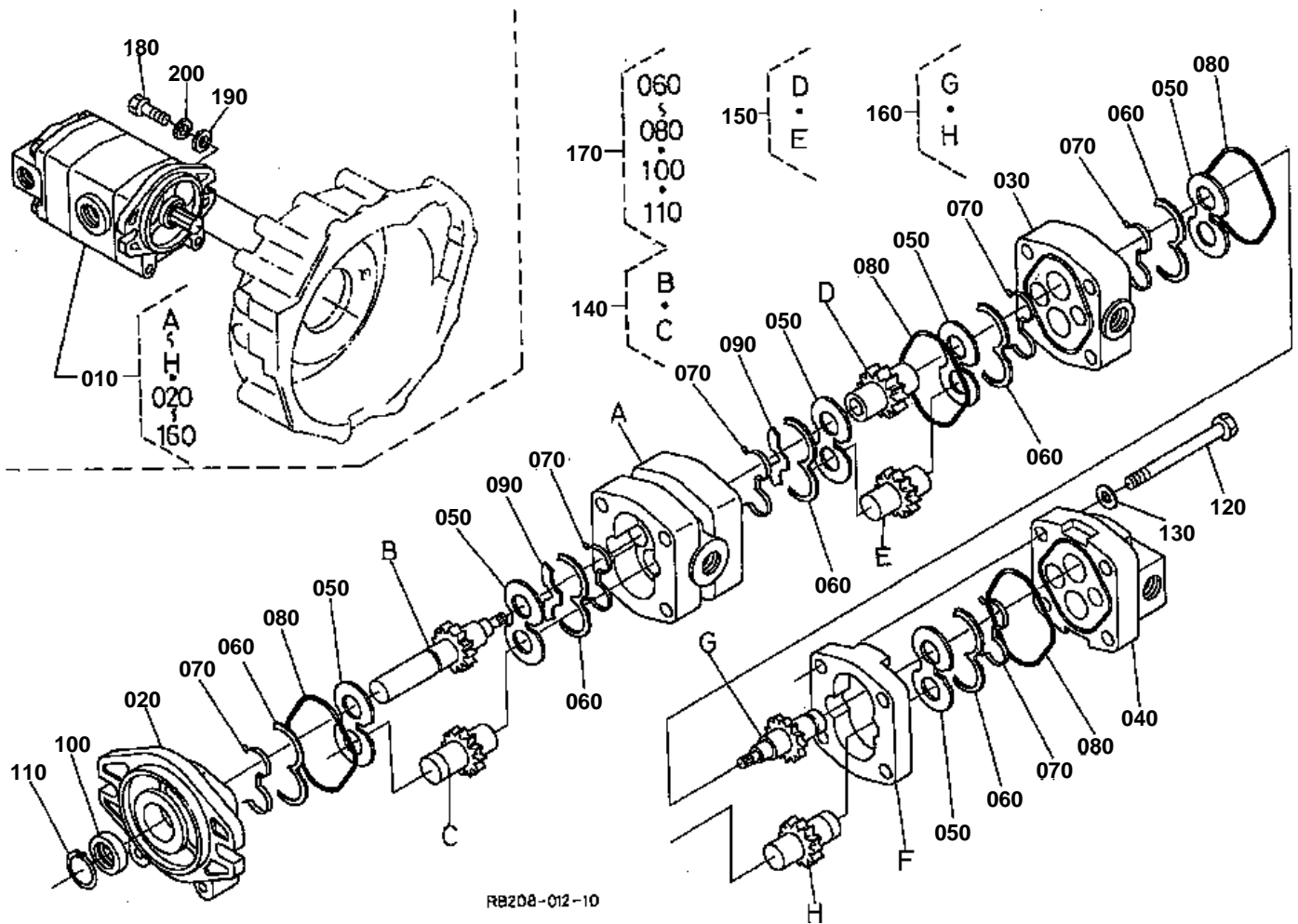


PUMP HOUSING

↔ Interchangeable; ≠ not interchangeable; ← new for old; → old for new

REF.No	Part No.	Description	Q'ty	S.No.	I/C	REMARKS	Weight (kgf)	Weight (lb)
010	RC101-42613	HOUSING PUMP	1	<=11309			10.6	23.32
010	RC101-42613	HOUSING PUMP	1	>=11310	←		10.6	23.32
020	01133-61030	BOLT	2				0.023	0.0506
030	01123-60820	BOLT	2				0.015	0.033
040	01123-60845	BOLT	2				0.02	0.044
050	01153-60803	BOLT	4				0.005	0.011
060	04512-60080	WASHER SPRING	4				0.002	0.0044
070	05012-00814	PIN STRAIGHT	2				0.006	0.0132
080	68311-42623	FLANGE COUPLING	1				1.5	3.3
090	RC101-42630	COUPLING RUBBER	3				0.04	0.088
100	68841-42660	BOLT	3				0.03	0.066
110	68311-42650	WASHER	3				0.02	0.044
120	04512-60100	WASHER SPRING	3				0.002	0.0044

GEAR PUMP AND COMPONENT PARTS



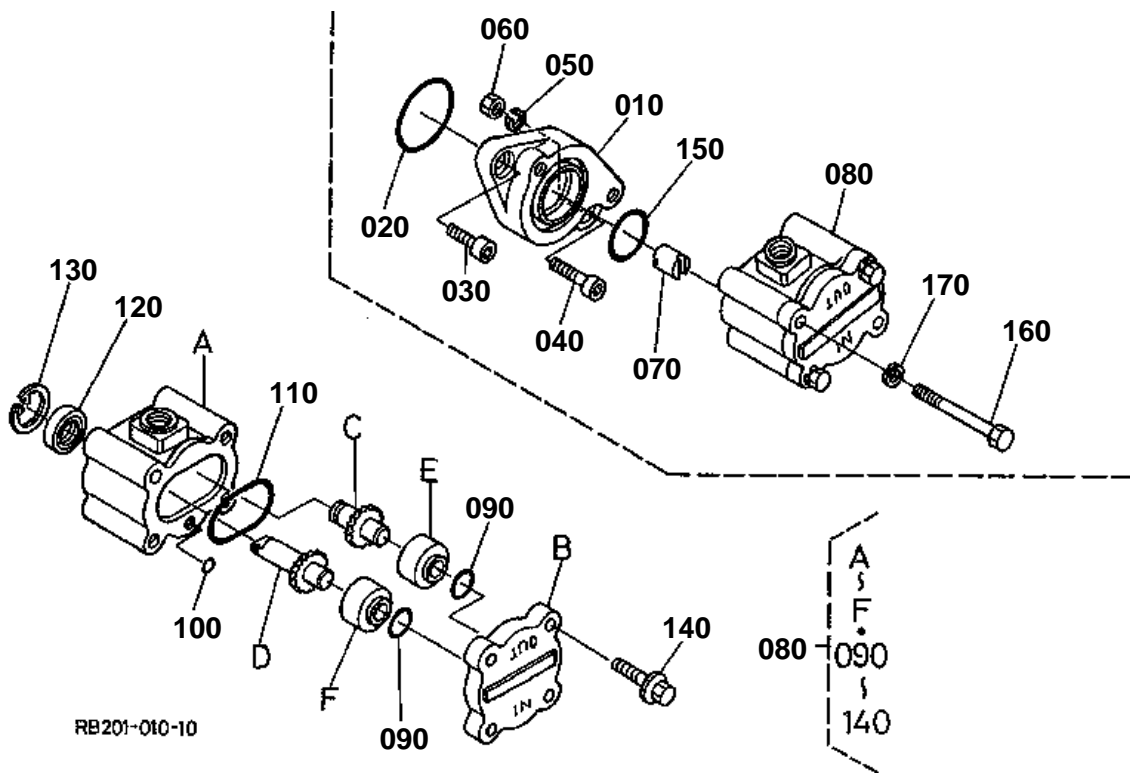
RB208-012-10



GEAR PUMP AND COMPONENT PARTS

↔ Interchangeable; ≠ not interchangeable; ← new for old; → old for new

REF.No	Part No.	Description	Q'ty	S.No.	I/C	REMARKS	Weight (kgf)	Weight (lb)
010	RB201-61110	ASSY PUMP GEAR	1				5.1	11.22
020	RP201-71670	FLANGE MOUNTING	1				0.58	1.276
030	RP201-71660	PLATE CENTER	1				0.477	1.0494
040	RP201-71650	COVER	1				0.37	0.814
050	RP201-71640	PLATE PRESSURE	6				0.033	0.0726
060	RP201-71580	PLATE SEAL	6				0.001	0.0022
070	RP201-71570	BACK UP	6				0.001	0.0022
080	RP201-71560	O RING	4				0.001	0.0022
090	RP201-71630	PLATE ISOLESHON	2				0.005	0.011
100	RP201-71550	SEAL OIL	1				0.008	0.0176
110	RP201-71540	RING SNAP	1				0.002	0.0044
120	RB201-69840	BOLT	4				0.09	0.198
130	RP201-71610	WASHER	4				0.004	0.0088
140	RB201-69810	SET GEAR FRONT	1				0.34	0.748
150	RB201-69820	SET GEAR CENTER	1				0.2	0.44
160	RB201-69830	SET GEAR REAR	1				0.22	0.484
170	RP201-71500	KIT SEAL GEAR PUMP	1				0.023	0.0506
180	01315-11025	BOLT HEX-SOC-HD	2				0.024	0.0528
190	04013-60100	WASHER PLAIN	2				0.003	0.0066
200	04512-60100	WASHER SPRING	2				0.002	0.0044

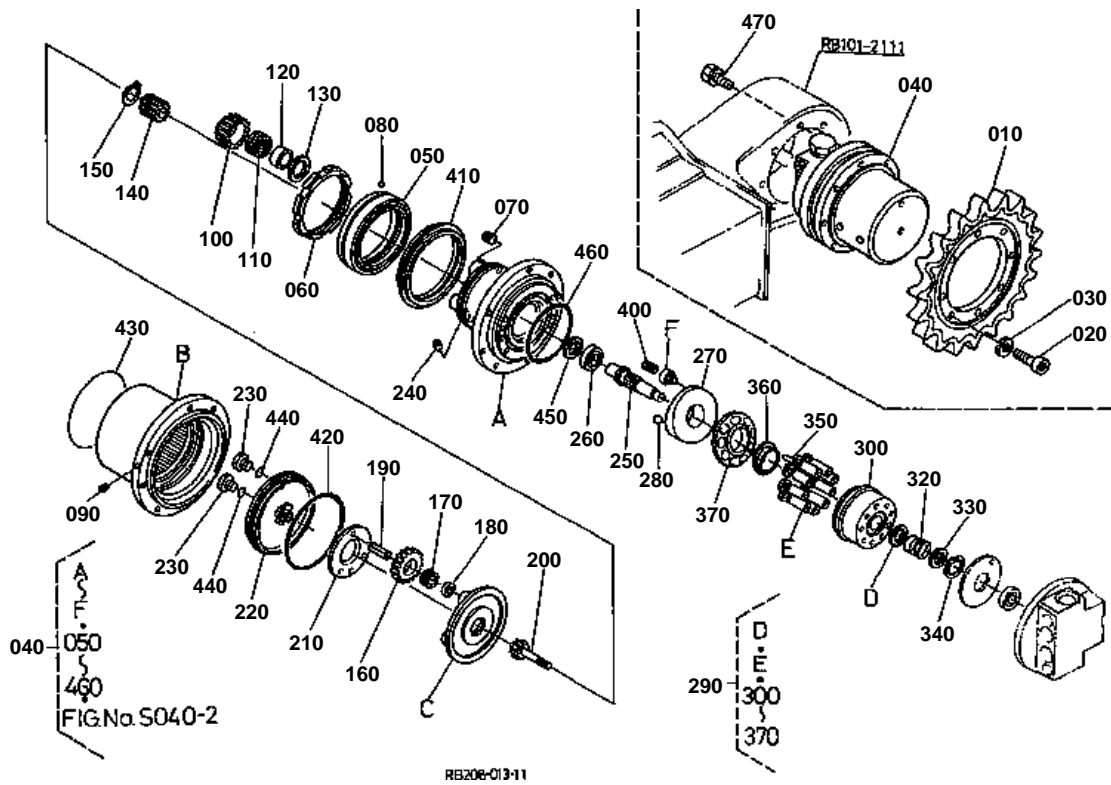




HYDRAULIC PUMP AND COMPONENT PARTS

↔ Interchangeable; ≠ not interchangeable; ← new for old; → old for new

REF.No	Part No.	Description	Q'ty	S.No.	I/C	REMARKS	Weight (kgf)	Weight (lb)
010	69251-42620	HOLDER PUMP	1				0.47	1.034
020	04811-10460	O RING	1				0.002	0.0044
030	01311-10820	BOLT HEX-SOC-HD	1				0.012	0.0264
040	01311-10835	BOLT HEX-SOC-HD	1				0.02	0.044
050	04512-60080	WASHER SPRING	1				0.002	0.0044
060	02552-50080	NUT	1				0.005	0.011
070	68468-82172	JOINT	1				0.04	0.088
080	55411-35200	ASSY PUMP	1				0.89	1.958
090	04810-00220	O RING	2				0	0
100	04810-00050	O RING	1				0	0
110	04810-50500	O RING	1				0	0
120	31381-76190	SEAL OIL	1				0.007	0.0154
130	04611-00280	CIR CLIP INTERNAL	1				0.002	0.0044
140	01754-50825	BOLT FLANGE	2				0.01	0.022
150	04811-10380	O RING	1				0.001	0.0022
160	01153-50875	BOLT	2				0.028	0.0616
170	04512-60080	WASHER SPRING	2				0.002	0.0044

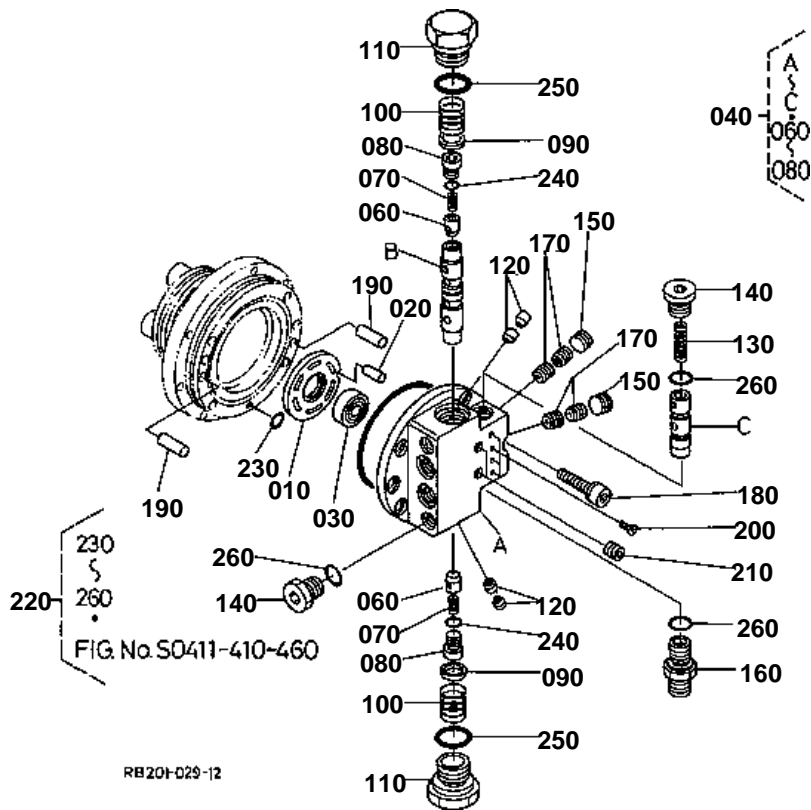




DRIVE MOTOR AND COMPONENT PARTS (1)

↔ Interchangeable; ≠ not interchangeable; ← new for old; → old for new

REF.No	Part No.	Description	Q'ty	S.No.	I/C	REMARKS	Weight (kgf)	Weight (lb)
010	68198-14430	SPROCKET DRIVE	2				5	11
020	68191-11170	BOLT HEX-SOC-HD	16				0.03	0.066
030	04512-60100	WASHER SPRING	16				0.002	0.0044
040	RB208-61290	ASSY MOTOR WHEEL	2				17.6	38.72
050	68191-13350	BEARING	2				0.67	1.474
060	68191-13340	NUT RING	2				0.13	0.286
070	68311-13350	PLUG	2				0.01	0.022
080	07715-03205	BALL	188				0.001	0.0022
090	68311-13380	PLUG	2				0.003	0.0066
100	RB101-78032	GEAR	8				0.1	0.22
110	RB101-78720	BEARING NEEDLE	8				0.014	0.0308
120	RB101-78730	RACE INNER	8				0.016	0.0352
130	RB101-78042	COLLAR THRUST	8				0.01	0.022
140	RB101-78052	GEAR	2				0.075	0.165
150	RB101-78740	RING SNAP	2				0.003	0.0066
160	RB101-78750	GEAR	6				0.09	0.198
170	RB101-78760	BEARING NEEDLE	6				0.006	0.0132
180	RB101-78770	RACE INNER	6				0.004	0.0088
190	05411-00520	PIN SPRING	6				0.002	0.0044
200	RB101-78070	GEAR DRIVE	2				0.1	0.22
210	RB101-78780	PLATE	2				0.1	0.22
210	RB101-78790	PLATE	2				0.12	0.264
210	RB101-78810	PLATE	2				0.15	0.33
210	RB101-78820	PLATE	2				0.08	0.176
220	RB101-78082	COVER	2				0.87	1.914
230	RB101-78840	PLUG	4				0.016	0.0352
240	RB101-78110	PLUG	4				0.001	0.0022
250	RB101-78120	SHAFT	2				0.11	0.242
260	RB101-78130	BEARING BALL	2				0.04	0.088
270	RB201-78150	SWASH PLATE	2				0.25	0.55
280	RB101-78850	BALL	4				0.005	0.011
290	RB101-78202	ASSY CYLINDER BLOCK	2				0.7	1.54
300	RB101-78210	ASSY CYLINDER PISTON	2				0.41	0.902
310	99999-99999	BLANK	0				0	0
320	68191-70680	SPRING	2				0.012	0.0264
330	68191-70670	WASHER	2				0.003	0.0066
340	68191-70830	CIR-CLIP	2				0.001	0.0022
350	68191-70710	PIN	6				0.001	0.0022
360	RB101-78230	HOLDER RETAINER	2				0.012	0.0264
370	RB101-78240	PLATE RETAINER	2				0.027	0.0594
380	99999-99999	BLANK	0				0	0
390	99999-99999	BLANK	0				0	0
400	RB101-78310	SPRING	4				0.001	0.0022
410	RB101-78710	SEAL	2				0.435	0.957
420	68493-77610	O RING	2				0	0
430	RB101-78830	WIRE	2				0.024	0.0528
440	68311-72390	O RING	4				0.001	0.0022
450	RB101-78140	SEAL OIL	2				0.01	0.022
460	68191-70770	O RING	2				0	0
470	01128-61022	BOLT	18				0.22	0.484

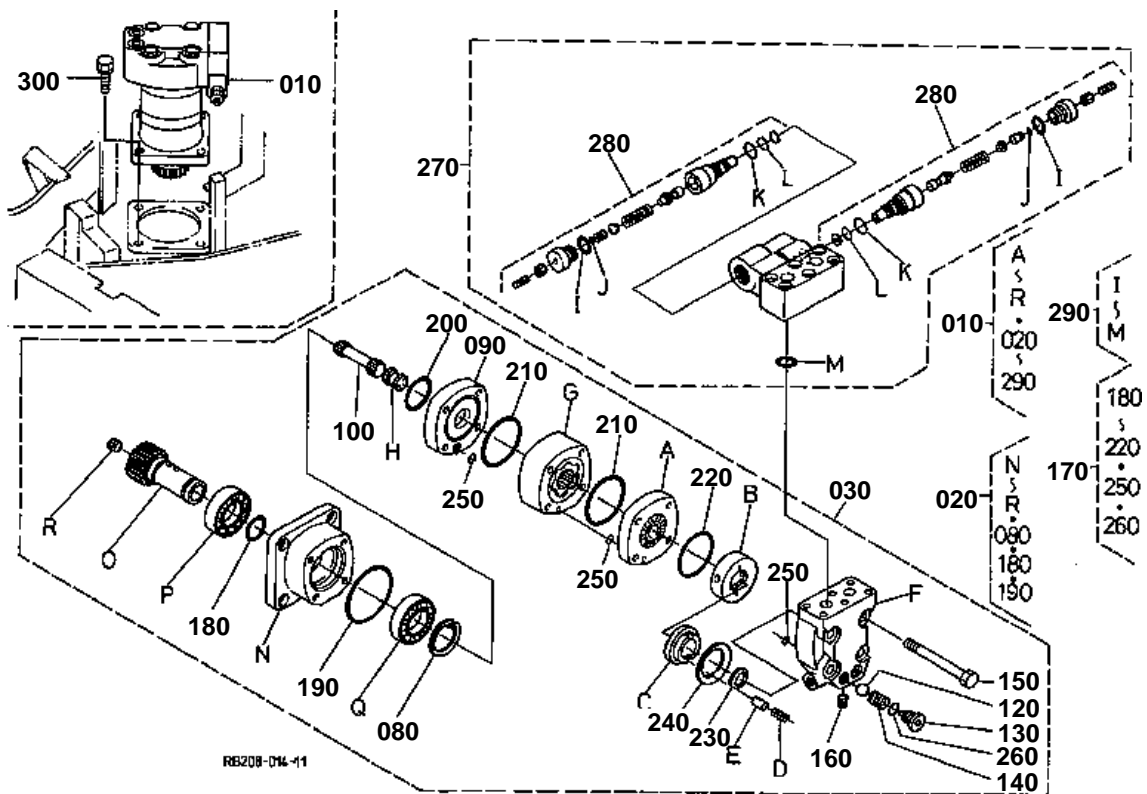


**DRIVE MOTOR AND COMPONENT PARTS (2)**

↔ Interchangeable; ≠ not interchangeable; ← new for old; → old for new

REF.No	Part No.	Description	Q'ty	S.No.	I/C	REMARKS	Weight (kgf)	Weight (lb)
010	RB101-78320	PLATE VALVE	2				0.08	0.176
020	RB101-78330	PIN	2				0.001	0.0022
030	68191-70760	BEARING BALL	2				0.024	0.0528
040	RB101-78402	ASSY PLATE BASE	2				1.5	3.3
050	99999-99999	BLANK	0				0	0
060	68311-72220	VALVE CHECK	4				0.003	0.0066
070	68311-72230	SPRING	4				0.001	0.0022
080	RB101-78860	PLUG	4				0.008	0.0176
090	68768-73280	SEAT SPRING	4				0.005	0.011
100	RB101-78450	SPRING	4				0.005	0.011
110	RB101-78462	CAP	4				0.115	0.253
120	RB101-78470	ORIFICE	8				0.001	0.0022
130	RB101-78490	SPRING	2				0.001	0.0022
140	68651-72380	PLUG	6				0.018	0.0396
150	RB101-78510	PLUG	8				0.001	0.0022
160	RB101-78520	PLUG	2				0.033	0.0726
170	68671-72410	ORIFICE	8				0.001	0.0022
180	68311-72330	BOLT HEX-SOC-HD	12				0.013	0.0286
190	68493-71450	PIN STRAIGHT	4				0.003	0.0066
200	RB101-78540	PLUG	8				0.001	0.0022
210	68499-72880	PLUG	4				0.01	0.022
220	RB101-78602	KIT SEAL	2				0.5	1.1
230	68651-72490	O RING	8				0.002	0.0044
240	68311-72250	O RING	4				0.001	0.0022
250	68311-72290	O RING	4				0.001	0.0022
260	68311-72390	O RING	8				0.001	0.0022

SWIVEL MOTOR AND COMPONENT PARTS



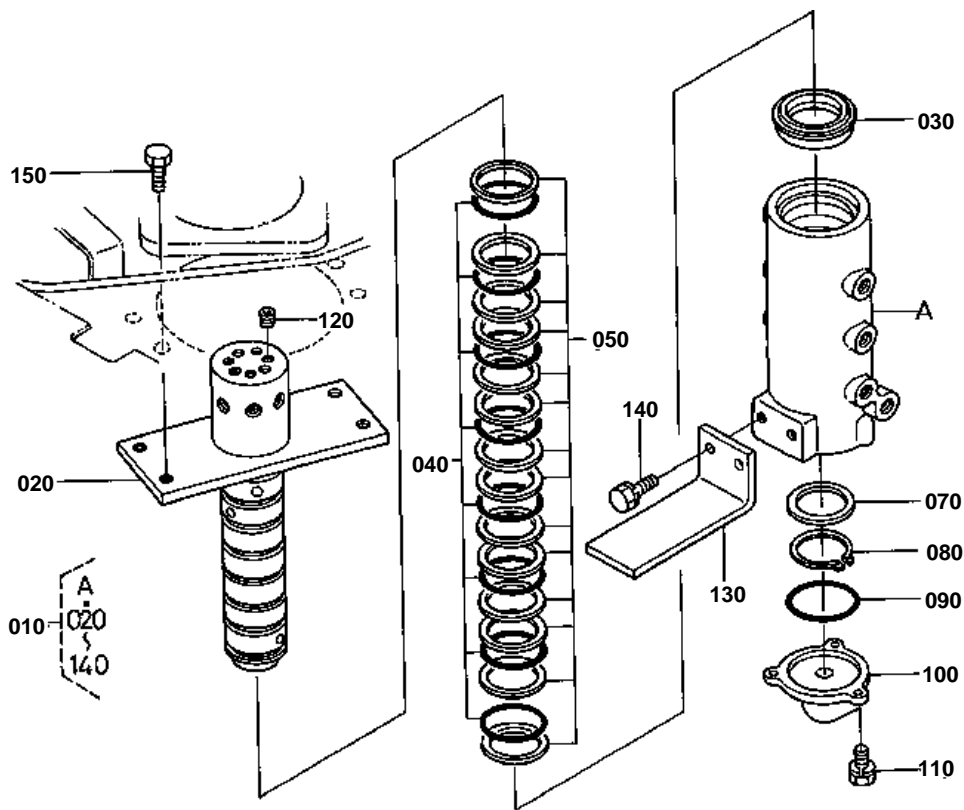


SWIVEL MOTOR AND COMPONENT PARTS

↔ Interchangeable; ≠ not interchangeable; ← new for old; → old for new

REF.No	Part No.	Description	Q'ty	S.No.	I/C	REMARKS	Weight (kgf)	Weight (lb)
010	RB101-61282	MOTOR SWING	1				16.4	36.08
020	RB101-69100	ASSY GEAR	1				6	13.2
030	RB101-69302	ASSY MOTOR SWIVEL	1				5	11
040	99999-99999	BLANK	0				0	0
050	99999-99999	BLANK	0				0	0
060	99999-99999	BLANK	0				0	0
070	99999-99999	BLANK	0				0	0
080	RB101-69170	RETAINER	1				0.014	0.0308
090	RB101-69320	SPACER	1				0.88	1.936
100	68311-69340	DRIVE	1				0.289	0.6358
110	99999-99999	BLANK	0				0	0
120	RC101-69380	BALL	2				0.006	0.0132
130	RC101-69390	PLUG	2				0.022	0.0484
140	RC101-69440	SPRING	2				0.001	0.0022
150	68311-69450	BOLT	4				0.076	0.1672
160	RC101-69430	PLUG	1				0.003	0.0066
170	RB101-69480	KIT SEAL	1				0.017	0.0374
180	RB101-69160	X-RING	1				0.003	0.0066
190	68311-69240	O RING	1				0.003	0.0066
200	RB101-69310	SEAL	1				0.001	0.0022
210	68311-69240	O RING	2				0.003	0.0066
220	68311-69260	O RING	1				0.005	0.011
230	68311-69310	SEAL	1				0.005	0.011
240	68311-69330	SEAL	1				0.01	0.022
250	68311-69370	O RING	3				0.002	0.0044
260	RC101-69410	O RING	2				0.001	0.0022
270	RB101-69500	ASSY BODY BRAKE	1				2	4.4
280	RB101-69510	ASSY VALVE BRAKE	2				0.16	0.352
290	RB101-69520	KIT SEAL	1				0.006	0.0132
300	01138-61435	BOLT	4				0.063	0.1386

ROTARY JOINT



RB208-015-11

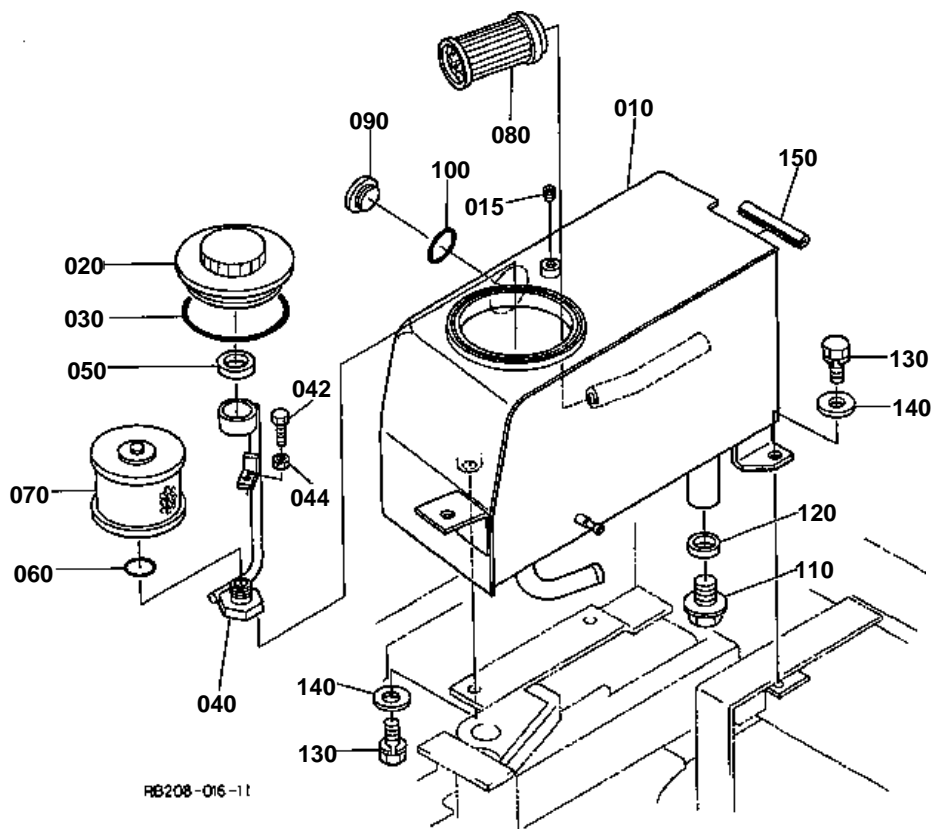


ROTARY JOINT

↔ Interchangeable; ≠ not interchangeable; ← new for old; → old for new

REF.No	Part No.	Description	Q'ty	S.No.	I/C	REMARKS	Weight (kgf)	Weight (lb)
010	RP201-62300	ASSY JOINT SWIVEL	1	<=11414			0	0
010	RP201-62304	ASSY JOINT SWIVEL	1	>=11415	←		8	17.6
020	RB101-62320	SHAFT SWIVEL JOINT	1				4	8.8
030	RB101-62410	GASKET U	1				0.01	0.022
040	04810-00420	O RING	8				0	0
050	69191-62310	RING BACK UP	14				0.001	0.0022
060	99999-99999	BLANK	0				0	0
070	68721-62350	COLLAR	1				0.035	0.077
080	04612-00350	CIR CLIP EXTERNAL	1				0.01	0.022
090	04811-10560	O RING	1				0.002	0.0044
100	68721-62330	COVER	1				0.25	0.55
110	01123-60820	BOLT	3				0.015	0.033
120	68311-13380	PLUG	7				0.003	0.0066
130	RB101-62350	STOPPER	1				0.374	0.8228
140	01123-60820	BOLT	2				0.015	0.033
150	01133-61030	BOLT	4				0.023	0.0506

OIL TANK

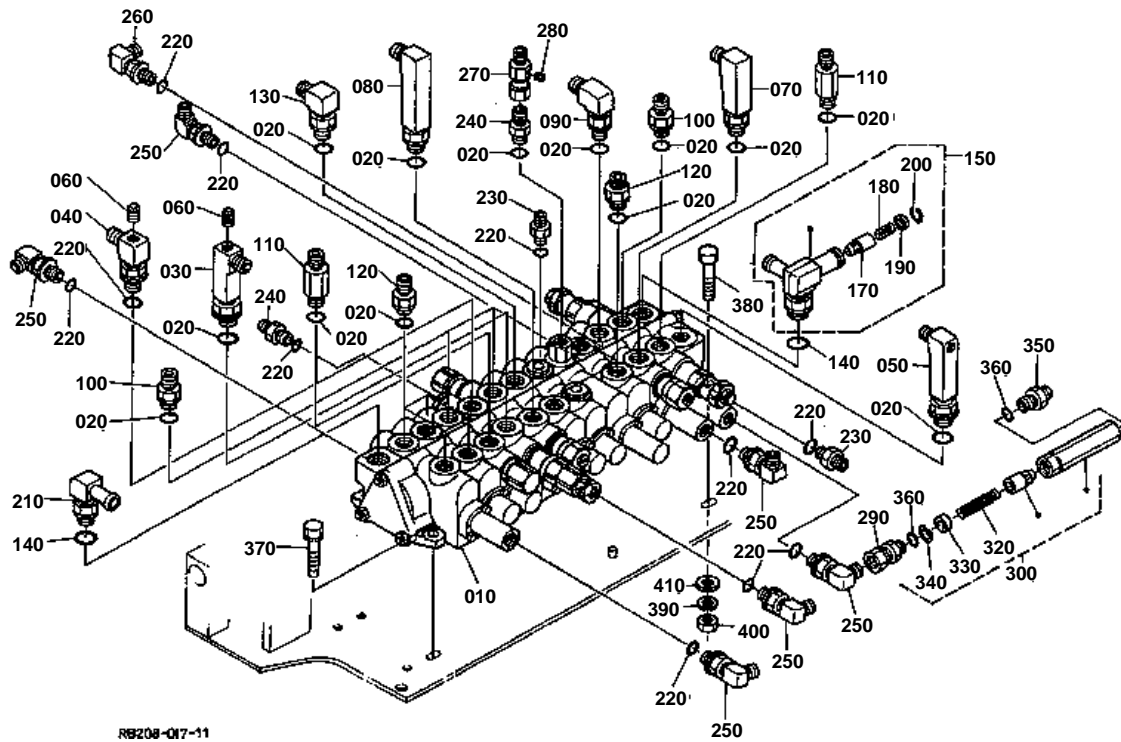


**OIL TANK**

↔ Interchangeable; ≠ not interchangeable; ← new for old; → old for new

REF.No	Part No.	Description	Q'ty	S.No.	I/C	REMARKS	Weight (kgf)	Weight (lb)
010	RB201-62118	TANK OIL PRESSURE	1	≤11025			0	0
010	RB208-62110	TANK OIL PRESSURE	1	≥11026	←		12	26.4
010	RB208-62112	TANK OIL PRESSURE	1	≥11335	←		8	17.6
015	06312-10010	PLUG	1				0.007	0.0154
020	RC101-62134	PLUG	1				0.229	0.5038
030	04811-11300	O RING	1				0.001	0.0022
040	RB101-62160	SUPPORT FILTER	1				0.465	1.023
042	01155-60850	BOLT	1				0.02	0.044
044	02114-60080	NUT	1				0.002	0.0044
050	RC101-62230	GASKET	1				0.01	0.022
060	04810-00210	O RING	1				0	0
070	RB101-62190	FILTER RETURN	1				0.35	0.77
080	68191-62180	FILTER SUCTION	1				0.19	0.418
090	68841-62170	GAUGE OIL LEVEL	1				0.02	0.044
100	04810-00250	O RING	1				0	0
110	06311-55040	PLUG	1	≤11334			0.093	0.2046
110	06331-35016	PLUG	1	≥11335	≠		0.04	0.088
120	04717-02150	WASHER WITH RUBBER	1	≤11334			0.004	0.0088
120	04717-01610	WASHER WITH RUBBER	1	≥11335	≠		0.022	0.0484
130	01133-61225	BOLT	4				0.037	0.0814
140	04013-60120	WASHER PLAIN	4				0.01	0.022
150	68391-42360	GROMMET	1				0.01	0.022

CONTROL VALVE

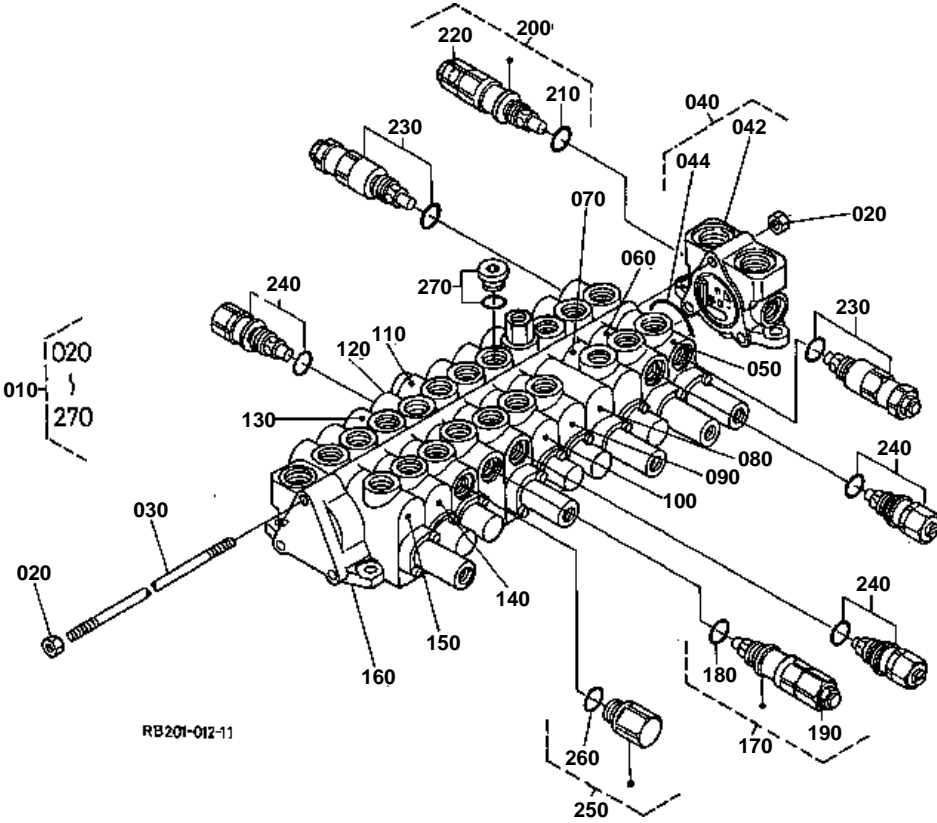


**CONTROL VALVE**

↔ Interchangeable; ≠ not interchangeable; ← new for old; → old for new

REF.No	Part No.	Description	Q'ty	S.No.	I/C	REMARKS	Weight (kgf)	Weight (lb)
010	RB201-61133	ASSY VALVE CONTROL	1				24	52.8
020	04810-00140	O RING	19				0	0
030	RB101-63880	PIPE JOINT ELBOW	1				0.17	0.374
040	RB201-63880	PIPE JOINT ELBOW	1				0.095	0.209
050	RB101-63890	PIPE JOINT ELBOW	1				0.21	0.462
060	68311-13380	PLUG	2				0.003	0.0066
070	68191-61710	JOINT PIPE(LF/-F/)	1				0.12	0.264
080	68191-61720	JOINT PIPE(LF/-F/)	1				0.2	0.44
090	68191-61810	JOINT PIPE(LF/-F/)	1				0.11	0.242
100	68051-63620	ADAPTER	3				0.06	0.132
110	RB101-63810	JOINT PIPE(SF/-F/)	2				0.13	0.286
120	68051-63730	BODY	7	<=11845			0	0
120	06012-71031	JOINT PIPE	7	>=11846	↔		0	0
130	R1401-68520	JOINT PIPE(LF/-)	1	<=11869			0.075	0.165
130	R1401-68520	JOINT	1	>=11870	↔		0.075	0.165
140	04810-00180	O RING	2				0	0
150	RB101-63910	ASSY VALVE CHECK	1				0.282	0.6204
160	99999-99999	BLANK	0				0	0
170	68171-76110	POPPET	1				0.015	0.033
180	RB101-63930	SPRING	1				0.002	0.0044
190	68191-95710	COLLAR	1				0.001	0.0022
200	04611-00150	CIR CLIP INTERNAL	1				0.001	0.0022
210	RB201-63940	PIPE JOINT ELBOW	1				0.178	0.3916
220	04810-00110	O RING	11				0	0
230	68499-83650	ADAPTER	2	<=11845			0	0
230	06012-70821	JOINT PIPE	2	>=11846	↔		0.04	0.088
230	06012-50822	JOINT PIPE	2	>=11870	↔		0	0
240	68728-76150	ADAPTER	2				0.02	0.044
250	RB101-63870	JOINT	6	<=11190			0.06	0.132
250	RC601-63720	JOINT	6	>=11191	←		0.06	0.132
260	68591-63230	ELBOW	1				0.085	0.187
270	69181-63190	JOINT PIPE(SF-F)	1				0.063	0.1386
280	68311-13380	PLUG	1				0.003	0.0066
290	RC101-63890	JOINT PIPE(F)	1				0.05	0.11
300	RB101-63970	ASSY VALVE CHECK	1				0.13	0.286
310	99999-99999	BLANK	0				0	0
320	90715-12130	SPRING	1				0.002	0.0044
330	90715-12140	RETAINER SPRING	1				0.004	0.0088
340	04611-00110	CIR CLIP INTERNAL	1				0.001	0.0022
350	68728-76150	ADAPTER	1				0.02	0.044
360	04810-00220	O RING	2				0	0
370	01133-61030	BOLT	2				0.023	0.0506
380	01173-61030	BOLT	1				0.022	0.0484
390	04512-60100	WASHER SPRING	1				0.002	0.0044
400	02118-60100	NUT	1				0.006	0.0132
410	04013-60100	WASHER PLAIN	1				0.003	0.0066

CONTROL VALVE [COMPONENT PARTS]



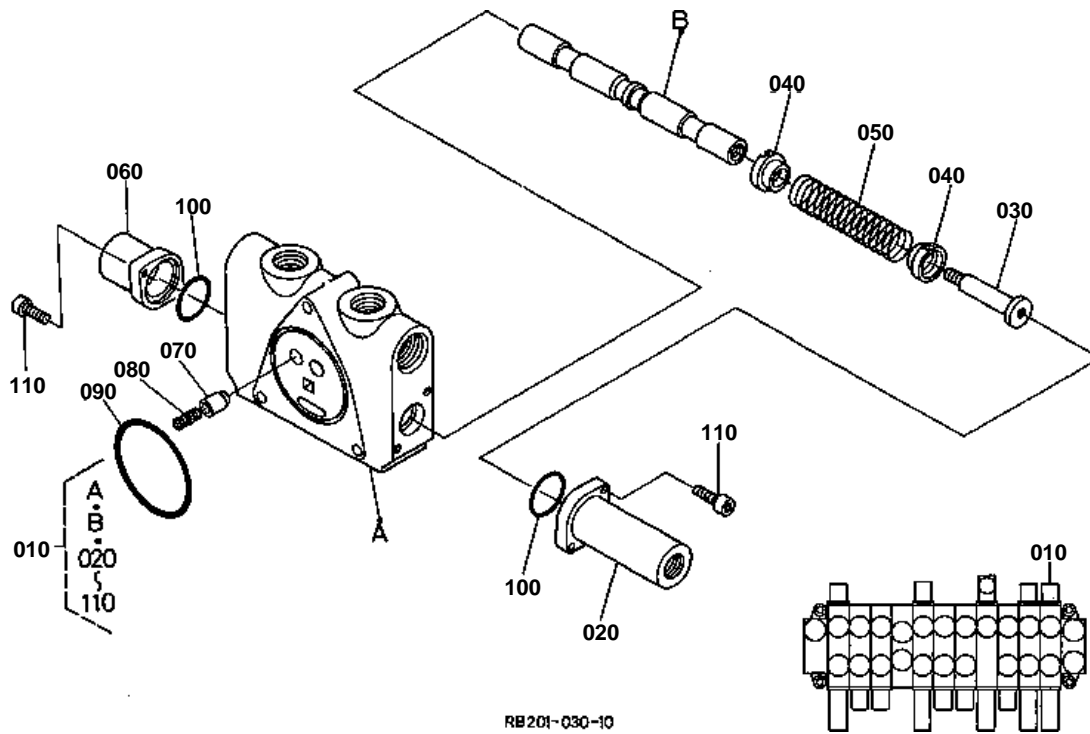
RB201-012-11

**CONTROL VALVE [COMPONENT PARTS]**

↔ Interchangeable; ≠ not interchangeable; ← new for old; → old for new

REF.No	Part No.	Description	Q'ty	S.No.	I/C	REMARKS	Weight (kgf)	Weight (lb)
010	RB201-61133	ASSY VALVE CONTROL	1				24	52.8
020	68021-81370	NUT	6				0.005	0.011
030	RB201-70160	ROD TIE	3				0.165	0.363
040	RB101-70010	ASSY VALVE INLET	1				1.21	2.662
042	RB101-70310	HOUSING INLET	1				1.19	2.618
044	04811-50550	O RING	1				0.002	0.0044
050	RB201-70030	ASSY VALVE BOOM	1				1.78	3.916
060	RB101-70020	ASSY VALVE BUCKET	1				1.85	4.07
070	RB101-70042	ASSY VALVE DRIVE RH	1				1.64	3.608
080	RB101-70110	ASSY VALVE TRAVEL ST	1				2	4.4
090	RB101-70100	ASSY VALVE S/P	1				1.7	3.74
100	RB101-70062	ASSY VALVE DRIVE LH	1				1.64	3.608
110	RB201-70080	ASSY VALVE ARM	1				1.79	3.938
120	RB201-70150	ASSY VALVE SPACER	1				1.61	3.542
130	RB201-70120	ASSY VALVE SWING	1				1.702	3.7444
140	RB201-70130	ASSY VALVE BLADE	1				1.668	3.6696
150	RB201-70140	ASSY VALVE SWIVEL	1				1.892	4.1624
160	68191-70310	ASSY VALVE OUTLET	1				1.25	2.75
170	RB201-70210	ASSY VALVE RELIEF	1				0.28	0.616
180	68741-70560	O RING	1				0.001	0.0022
190	04810-00100	O RING	1				0	0
200	RB201-70220	ASSY VALVE RELIEF	1				0.225	0.495
210	68741-70560	O RING	1				0.001	0.0022
220	04810-00100	O RING	1				0	0
230	RB101-70230	ASSY VALVE PORT REL.	2				0.21	0.462
240	RB101-70240	ASSY VALVE PORT REL.	3				0.14	0.308
250	68389-61310	ASSY VALVE	1				0.11	0.242
260	68389-96120	O RING	1				0.001	0.0022
270	RP402-70610	ASSY PLUG	2				0.027	0.0594

SPOOL SECTION (BOOM)



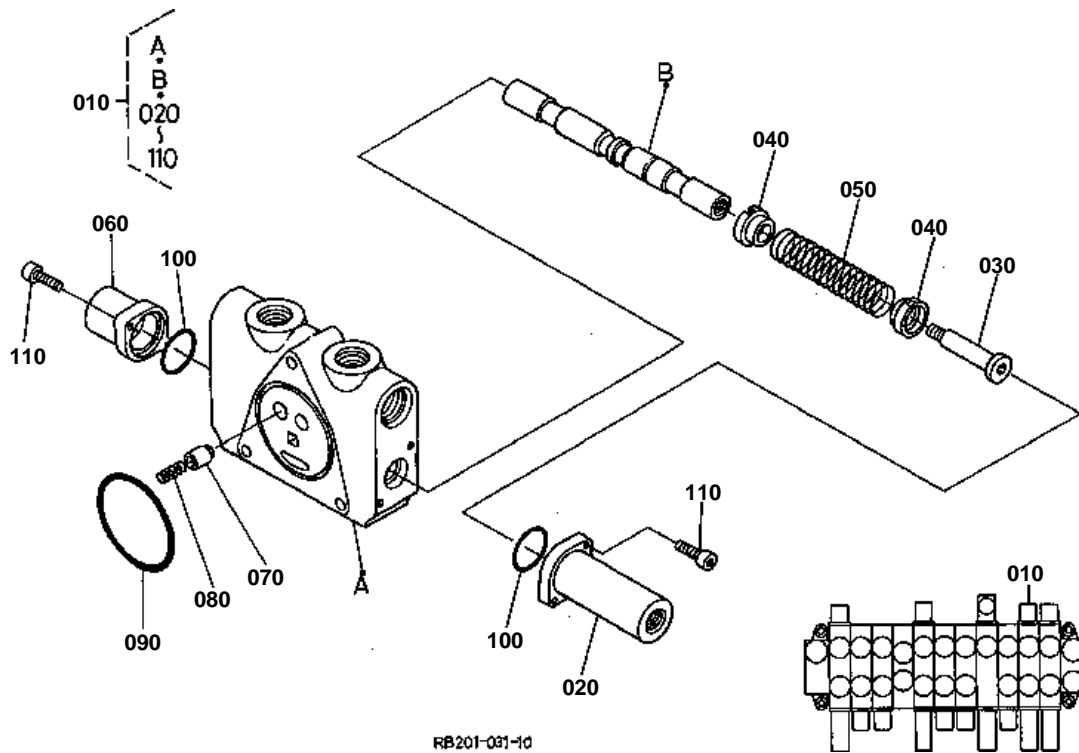


SPOOL SECTION (BOOM)

↔ Interchangeable; ≠ not interchangeable; ← new for old; → old for new

REF.No	Part No.	Description	Q'ty	S.No.	I/C	REMARKS	Weight (kgf)	Weight (lb)
010	RB201-70030	ASSY VALVE BOOM	1				1.78	3.916
020	68191-70910	CAP	1				0.18	0.396
030	68191-70920	CAP SCREW	1				0.025	0.055
040	68191-70930	PLATE SPRING	2				0.01	0.022
050	68191-70950	SPRING	1				0.025	0.055
060	68191-70960	CAP	1				0.11	0.242
070	68701-71780	VALVE CHECK	1				0.005	0.011
080	68701-71790	SPRING CHECK VALVE	1				0.005	0.011
090	04811-50550	O RING	1				0.002	0.0044
100	04811-10220	O RING	2				0.001	0.0022
110	68191-70450	BOLT SOCKET HEAD	4				0.002	0.0044

SPOOL SECTION (BUCKET)



RB201-031-10

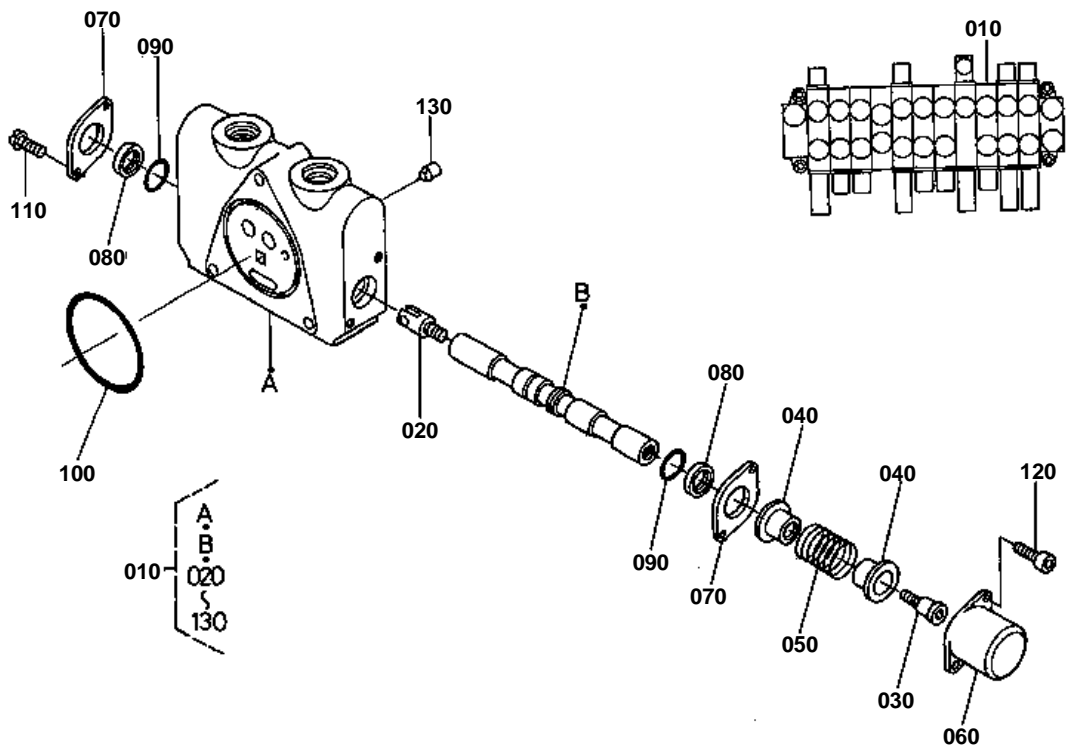


SPOOL SECTION (BUCKET)

↔ Interchangeable; ≠ not interchangeable; ← new for old; → old for new

REF.No	Part No.	Description	Q'ty	S.No.	I/C	REMARKS	Weight (kgf)	Weight (lb)
010	RB101-70020	ASSY VALVE BUCKET	1				1.85	4.07
020	68191-70910	CAP	1				0.18	0.396
030	68191-70920	CAP SCREW	1				0.025	0.055
040	68191-70930	PLATE SPRING	2				0.01	0.022
050	68191-70950	SPRING	1				0.025	0.055
060	68191-70960	CAP	1				0.11	0.242
070	68701-71780	VALVE CHECK	1				0.005	0.011
080	68701-71790	SPRING CHECK VALVE	1				0.005	0.011
090	04811-50550	O RING	1				0.002	0.0044
100	04811-10220	O RING	2				0.001	0.0022
110	68191-70450	BOLT SOCKET HEAD	4				0.002	0.0044

SPOOL SECTION (TRAVL RH)



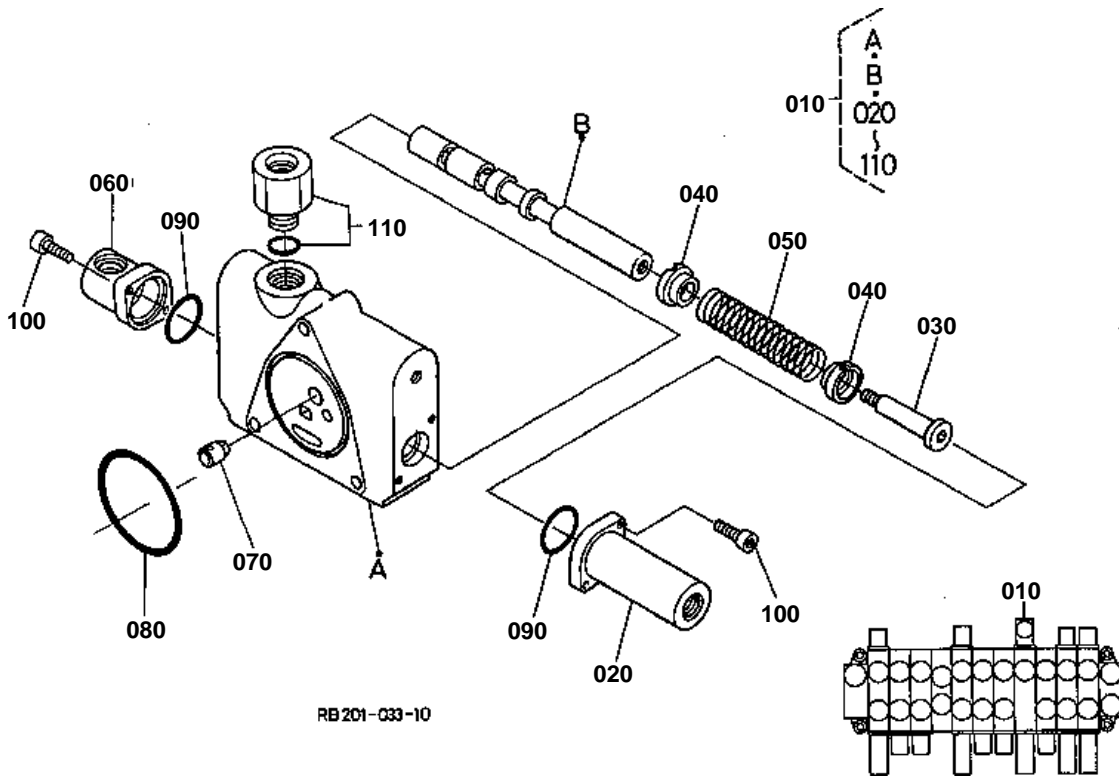
RB 201-032-10

**SPOOL SECTION (TRAVL RH)**

↔ Interchangeable; ≠ not interchangeable; ← new for old; → old for new

REF.No	Part No.	Description	Q'ty	S.No.	I/C	REMARKS	Weight (kgf)	Weight (lb)
010	RB101-70042	ASSY VALVE DRIVE RH	1				1.64	3.608
020	68701-71720	HEAD SPOOL	1				0.01	0.022
030	68701-71730	SCREW CAP	1				0.01	0.022
040	68701-71740	SEAT SPRING	2				0.01	0.022
050	68151-70390	SPRING SPOOL	1				0.01	0.022
060	68701-71760	CAP	1				0.04	0.088
070	68701-71770	PLATE SEAL	2				0.01	0.022
080	68701-71810	WIPER	2				0.001	0.0022
090	04811-00120	O RING	2				0	0
100	04811-50550	O RING	1				0.002	0.0044
110	68701-71820	SCREW	2				0.005	0.011
120	68701-71830	BOLT SOCKET HEAD	2				0.005	0.011
130	RB101-70370	POPPET	1				0.001	0.0022

SPOOL SECTION (TRAVEL STRAIGHT)



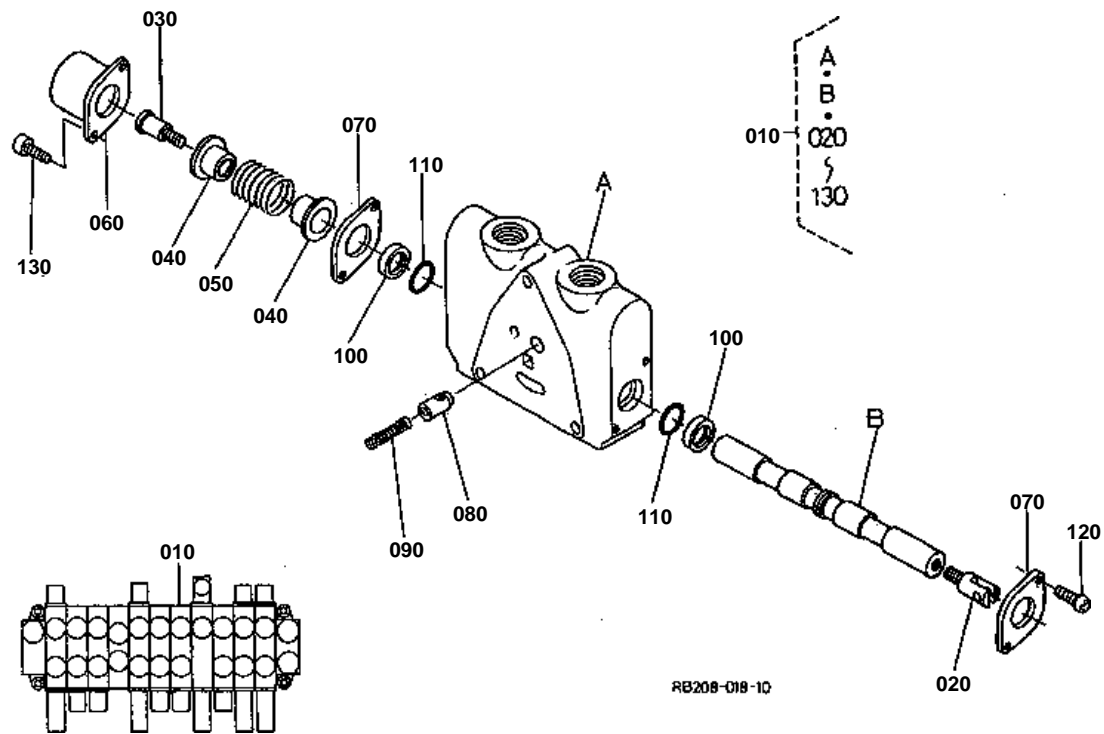


SPOOL SECTION (TRAVEL STRAIGHT)

↔ Interchangeable; ≠ not interchangeable; ← new for old; → old for new

REF.No	Part No.	Description	Q'ty	S.No.	I/C	REMARKS	Weight (kgf)	Weight (lb)
010	RB101-70110	ASSY VALVE TRAVEL ST	1				2	4.4
020	RB101-70320	CAP	1				0.17	0.374
030	68191-70920	CAP SCREW	1				0.025	0.055
040	68191-70930	PLATE SPRING	2				0.01	0.022
050	RB101-70330	SPRING	1				0.02	0.044
060	RB101-70340	CAP	1				0.15	0.33
070	RP201-70320	POPPET	1				0.005	0.011
080	04811-50550	O RING	1				0.002	0.0044
090	04811-10220	O RING	2				0.001	0.0022
100	68191-70450	BOLT SOCKET HEAD	4				0.002	0.0044
110	RB101-70350	ASSY PLUG	1				0.07	0.154

SPOOL SECTION (S/P)



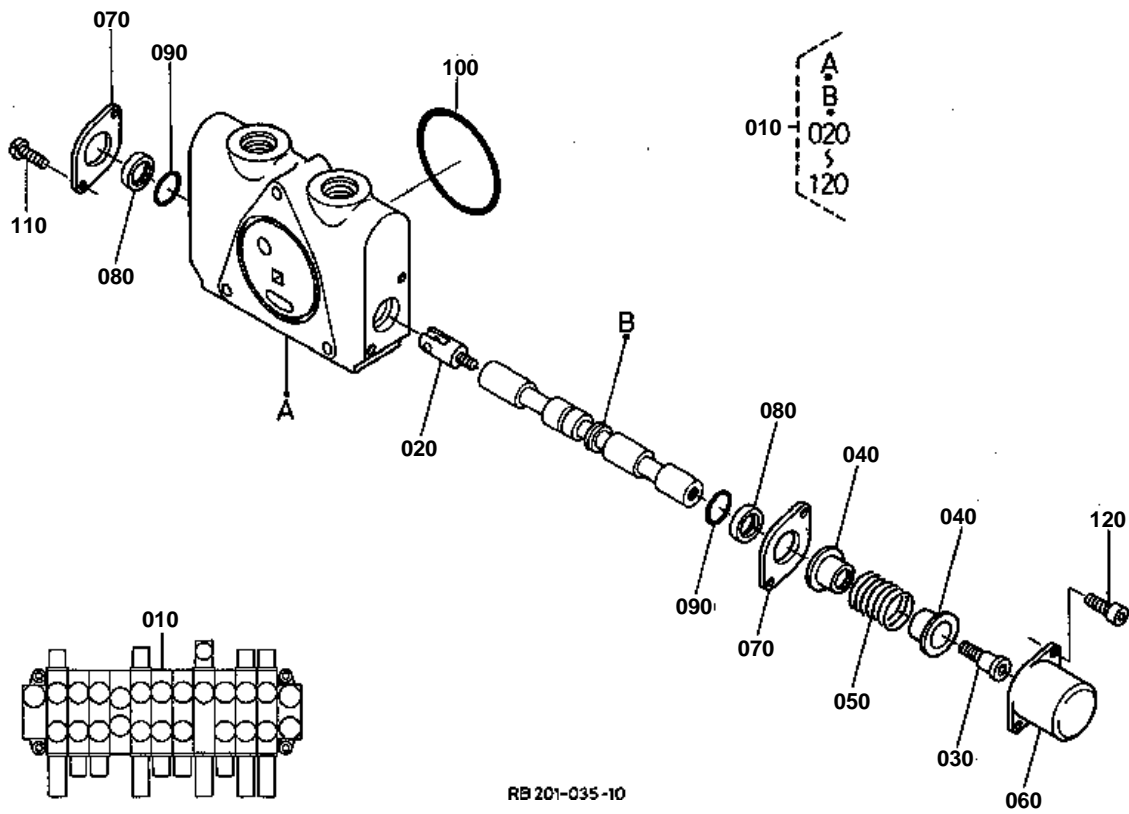


SPOOL SECTION (S/P)

↔ Interchangeable; ≠ not interchangeable; ← new for old; → old for new

REF.No	Part No.	Description	Q'ty	S.No.	I/C	REMARKS	Weight (kgf)	Weight (lb)
010	RB101-70100	ASSY VALVE S/P	1				1.7	3.74
020	68701-71720	HEAD SPOOL	1				0.01	0.022
030	68701-71730	SCREW CAP	1				0.01	0.022
040	68701-71740	SEAT SPRING	2				0.01	0.022
050	68151-70390	SPRING SPOOL	1				0.01	0.022
060	68701-71760	CAP	1				0.04	0.088
070	68701-71770	PLATE SEAL	2				0.01	0.022
080	RB101-70360	POPPET	1				0.006	0.0132
090	68701-71790	SPRING CHECK VALVE	1				0.005	0.011
100	68701-71810	WIPER	2				0.001	0.0022
110	04811-00120	O RING	2				0	0
120	68701-71820	SCREW	2				0.005	0.011
130	68701-71830	BOLT SOCKET HEAD	2				0.005	0.011

SPOOL SECTION (TRAVEL LH)



RB 201-035-10

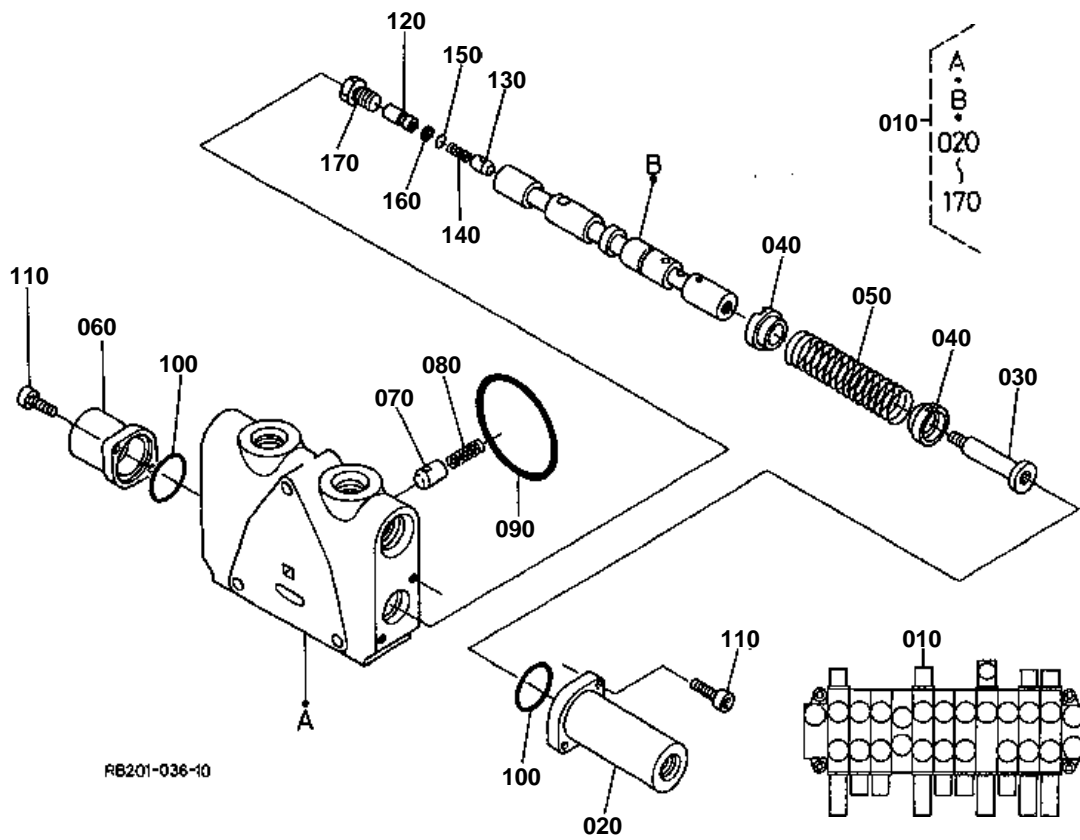


SPOOL SECTION (TRAVEL LH)

↔ Interchangeable; ≠ not interchangeable; ← new for old; → old for new

REF.No	Part No.	Description	Q'ty	S.No.	I/C	REMARKS	Weight (kgf)	Weight (lb)
010	RB101-70062	ASSY VALVE DRIVE LH	1				1.64	3.608
020	68701-71720	HEAD SPOOL	1				0.01	0.022
030	68701-71730	SCREW CAP	1				0.01	0.022
040	68701-71740	SEAT SPRING	2				0.01	0.022
050	68151-70390	SPRING SPOOL	1				0.01	0.022
060	68701-71760	CAP	1				0.04	0.088
070	68701-71770	PLATE SEAL	2				0.01	0.022
080	68701-71810	WIPER	2				0.001	0.0022
090	04811-00120	O RING	2				0	0
100	04811-50550	O RING	1				0.002	0.0044
110	68701-71820	SCREW	2				0.005	0.011
120	68701-71830	BOLT SOCKET HEAD	2				0.005	0.011

SPOOL SECTION (ARM)



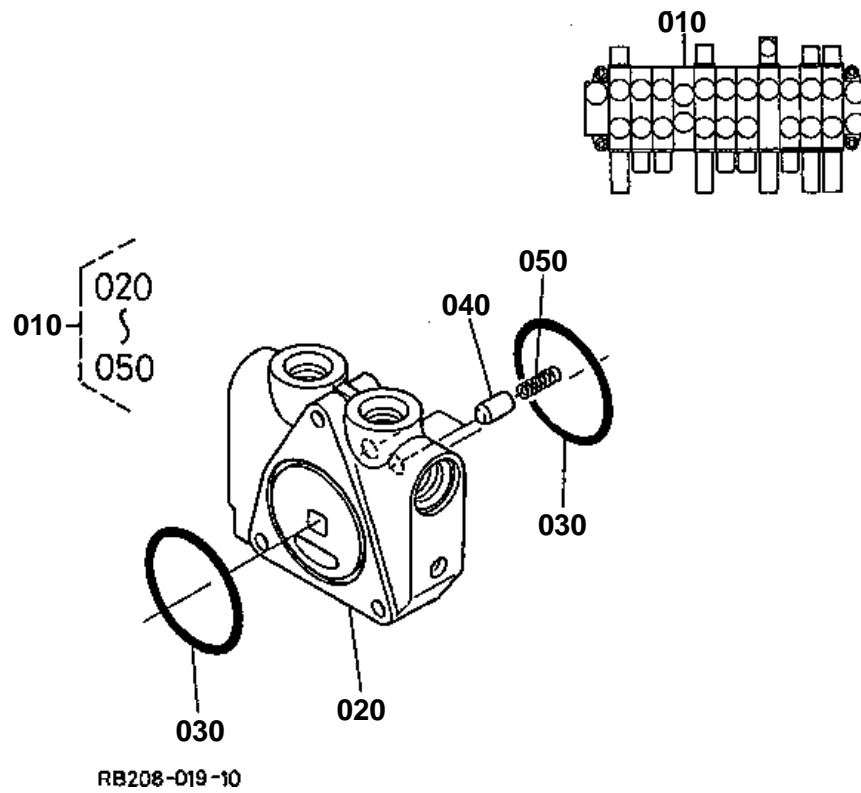


SPOOL SECTION (ARM)

↔ Interchangeable; ≠ not interchangeable; ← new for old; → old for new

REF.No	Part No.	Description	Q'ty	S.No.	I/C	REMARKS	Weight (kgf)	Weight (lb)
010	RB201-70080	ASSY VALVE ARM	1				1.79	3.938
020	68191-70910	CAP	1				0.18	0.396
030	68191-70920	CAP SCREW	1				0.025	0.055
040	68191-70930	PLATE SPRING	2				0.01	0.022
050	68191-70950	SPRING	1				0.025	0.055
060	RP201-70930	CAP	1				0.105	0.231
070	68701-71780	VALVE CHECK	1				0.005	0.011
080	68701-71790	SPRING CHECK VALVE	1				0.005	0.011
090	04811-50550	O RING	1				0.002	0.0044
100	04811-10220	O RING	2				0.001	0.0022
110	68191-70450	BOLT SOCKET HEAD	4				0.002	0.0044
120	RP201-70920	SPACER	1				0.001	0.0022
130	RC101-70390	POPPET	1				0.001	0.0022
140	RC101-70540	SPRING	1				0.001	0.0022
150	04811-00030	O RING	1				0	0
160	RC101-70570	RING BACK UP	1				0.001	0.0022
170	RP201-70340	PLUG	1				0.006	0.0132

SPOOL SECTION (SPACER)



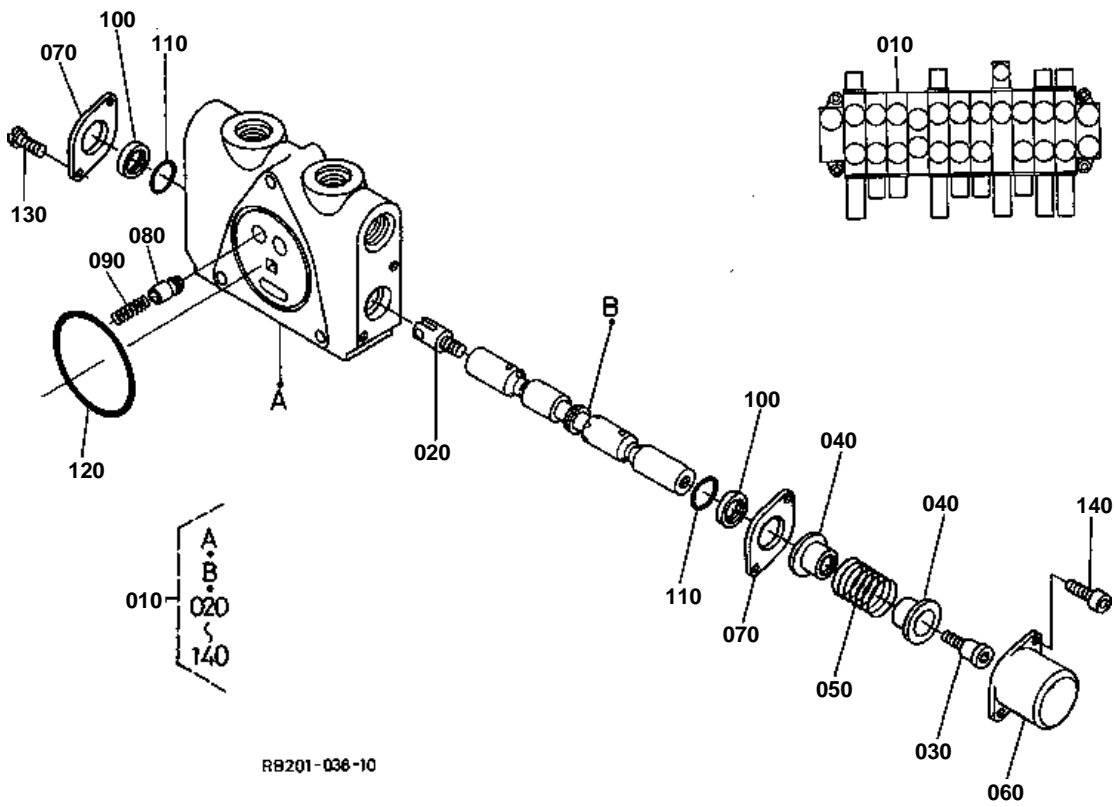


SPOOL SECTION (SPACER)

↔ Interchangeable; ≠ not interchangeable; ← new for old; → old for new

REF.No	Part No.	Description	Q'ty	S.No.	I/C	REMARKS	Weight (kgf)	Weight (lb)
010	RB201-70150	ASSY VALVE SPACER	1				1.61	3.542
020	RB201-70170	SPACER	1				1.59	3.498
030	04811-50550	O RING	2				0.002	0.0044
040	68701-71780	VALVE CHECK	2				0.005	0.011
050	68701-71790	SPRING CHECK VALVE	2				0.005	0.011

SPOOL SECTION (SWING)



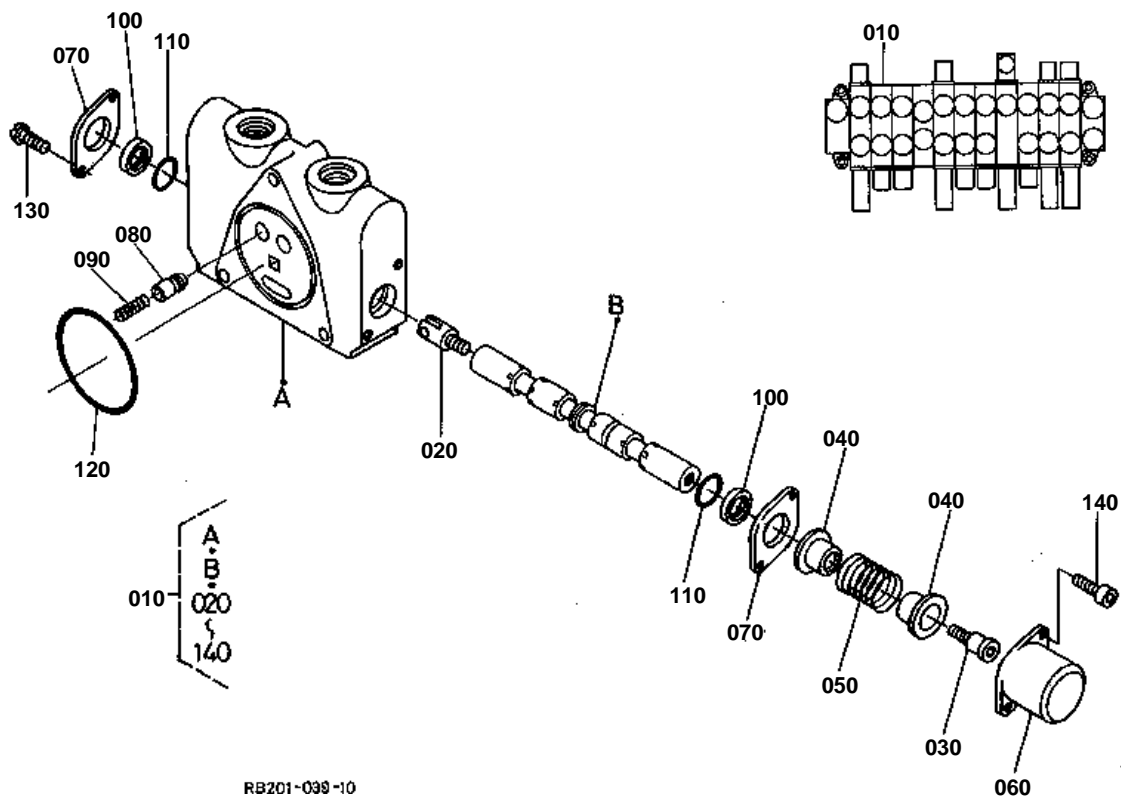


SPOOL SECTION (SWING)

↔ Interchangeable; ≠ not interchangeable; ← new for old; → old for new

REF.No	Part No.	Description	Q'ty	S.No.	I/C	REMARKS	Weight (kgf)	Weight (lb)
010	RB201-70120	ASSY VALVE SWING	1				1.702	3.7444
020	68701-71720	HEAD SPOOL	1				0.01	0.022
030	68701-71730	SCREW CAP	1				0.01	0.022
040	68701-71740	SEAT SPRING	2				0.01	0.022
050	68151-70390	SPRING SPOOL	1				0.01	0.022
060	68701-71760	CAP	1				0.04	0.088
070	68701-71770	PLATE SEAL	2				0.01	0.022
080	68701-71780	VALVE CHECK	1				0.005	0.011
090	68701-71790	SPRING CHECK VALVE	1				0.005	0.011
100	68701-71810	WIPER	2				0.001	0.0022
110	04811-00120	O RING	2				0	0
120	04811-50550	O RING	1				0.002	0.0044
130	68701-71820	SCREW	2				0.005	0.011
140	68701-71830	BOLT SOCKET HEAD	2				0.005	0.011

SPOOL SECTION (BLADE)



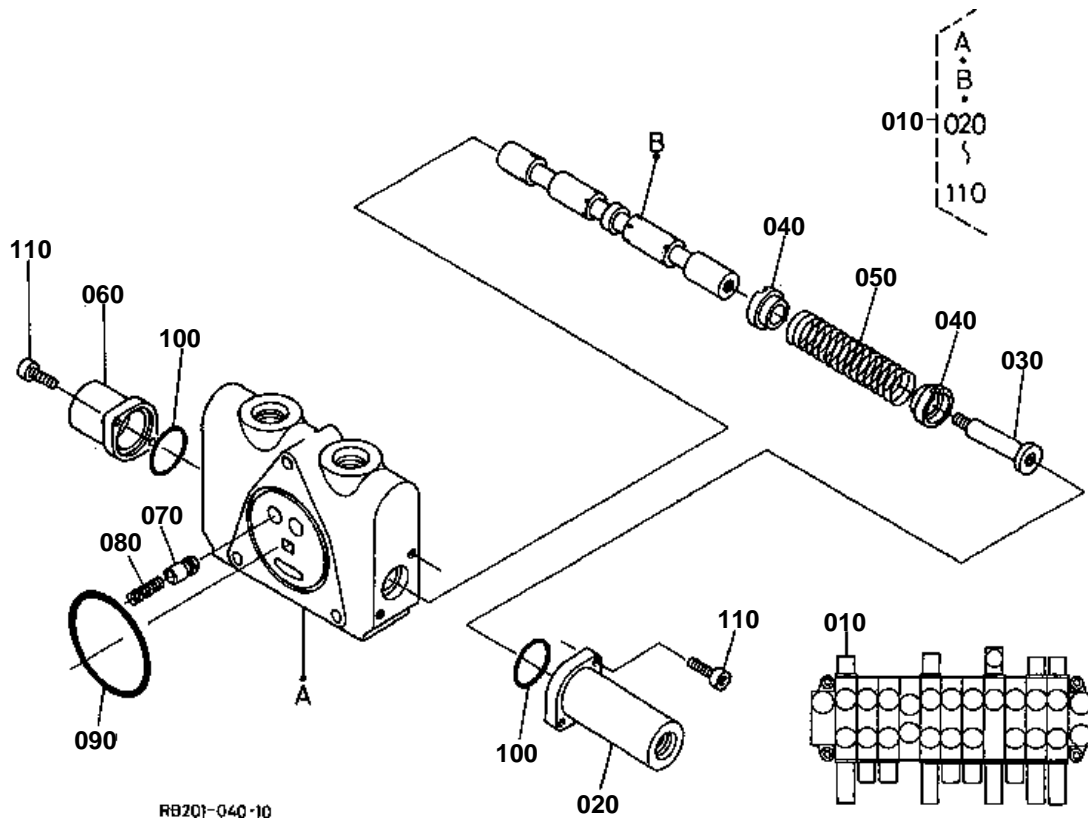


SPOOL SECTION (BLADE)

↔ Interchangeable; ≠ not interchangeable; ← new for old; → old for new

REF.No	Part No.	Description	Q'ty	S.No.	I/C	REMARKS	Weight (kgf)	Weight (lb)
010	RB201-70130	ASSY VALVE BLADE	1				1.668	3.6696
020	68701-71720	HEAD SPOOL	1				0.01	0.022
030	68701-71730	SCREW CAP	1				0.01	0.022
040	68701-71740	SEAT SPRING	2				0.01	0.022
050	68151-70390	SPRING SPOOL	1				0.01	0.022
060	68701-71760	CAP	1				0.04	0.088
070	68701-71770	PLATE SEAL	2				0.01	0.022
080	68701-71780	VALVE CHECK	1				0.005	0.011
090	68701-71790	SPRING CHECK VALVE	1				0.005	0.011
100	68701-71810	WIPER	2				0.001	0.0022
110	04811-00120	O RING	2				0	0
120	04811-50550	O RING	1				0.002	0.0044
130	68701-71820	SCREW	2				0.005	0.011
140	68701-71830	BOLT SOCKET HEAD	2				0.005	0.011

SPOOL SECTION (SWIVEL)



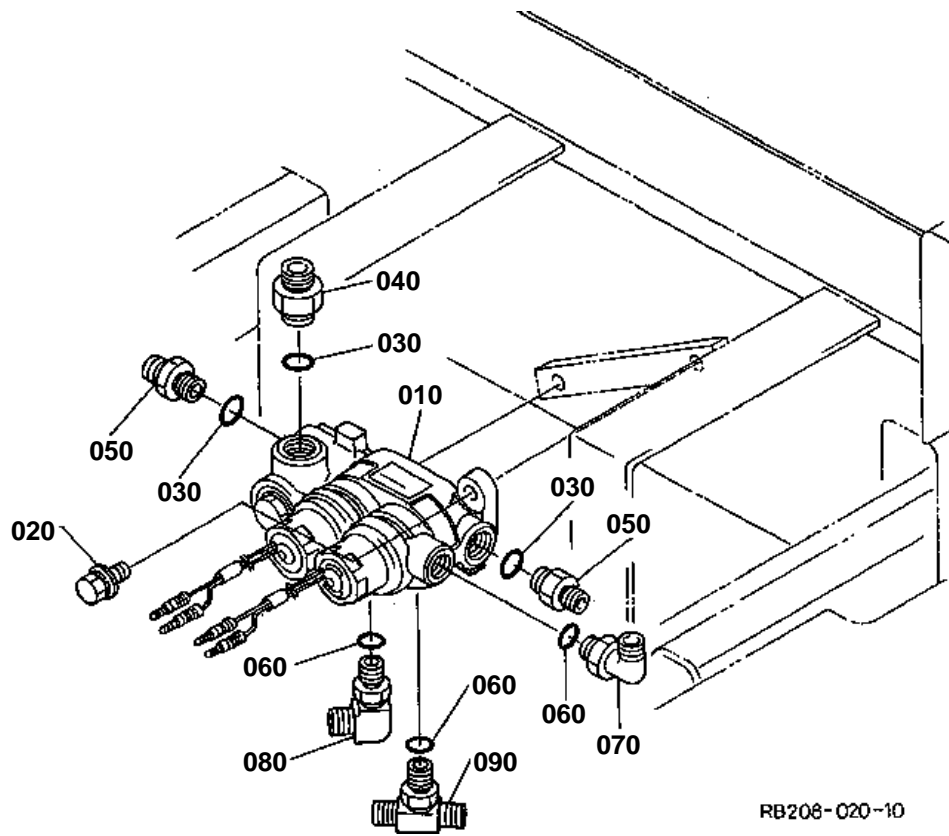


SPOOL SECTION (SWIVEL)

↔ Interchangeable; ≠ not interchangeable; ← new for old; → old for new

REF.No	Part No.	Description	Q'ty	S.No.	I/C	REMARKS	Weight (kgf)	Weight (lb)
010	RB201-70140	ASSY VALVE SWIVEL	1				1.892	4.1624
020	68191-70910	CAP	1				0.18	0.396
030	68191-70920	CAP SCREW	1				0.025	0.055
040	68191-70930	PLATE SPRING	2				0.01	0.022
050	68191-70950	SPRING	1				0.025	0.055
060	68191-70960	CAP	1				0.11	0.242
070	68701-71780	VALVE CHECK	1				0.005	0.011
080	68701-71790	SPRING CHECK VALVE	1				0.005	0.011
090	04811-50550	O RING	1				0.002	0.0044
100	04811-10220	O RING	2				0.001	0.0022
110	68191-70450	BOLT SOCKET HEAD	4				0.002	0.0044

CHANGE VALVE



RB208-020-10

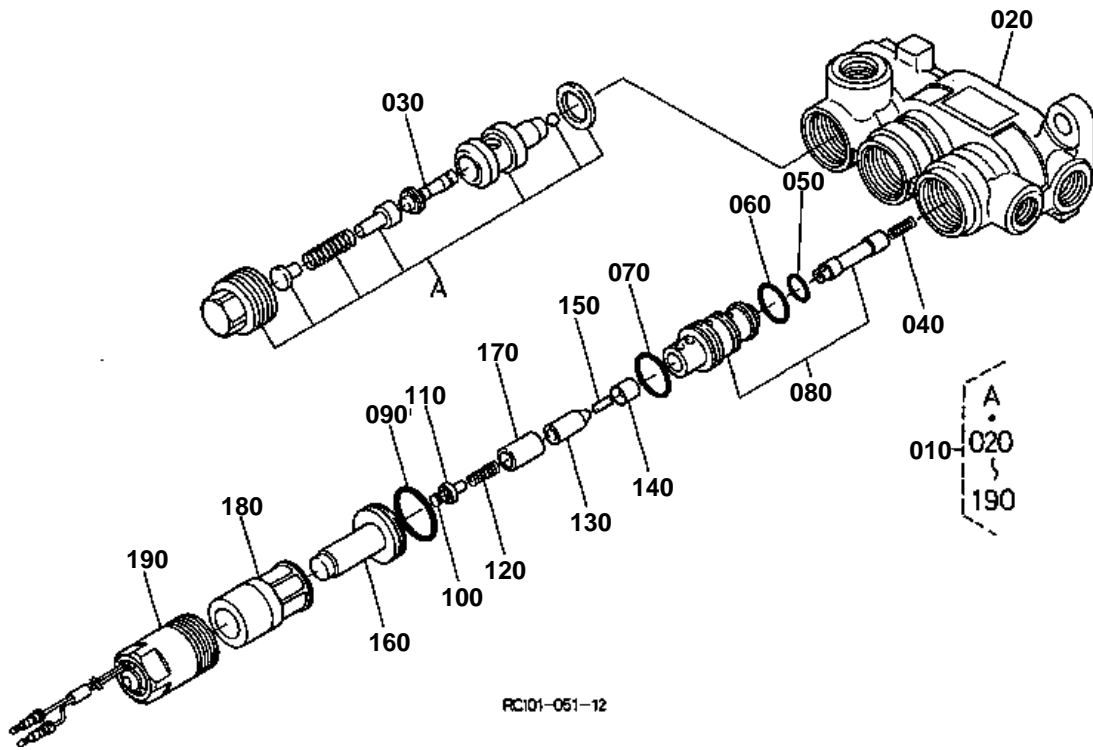


CHANGE VALVE

↔ Interchangeable; ≠ not interchangeable; ← new for old; → old for new

REF.No	Part No.	Description	Q'ty	S.No.	I/C	REMARKS	Weight (kgf)	Weight (lb)
010	RC101-61250	ASSY VALVE CHANGE	1				3.8	8.36
020	01135-61025	BOLT	2				0.04	0.088
030	04810-00140	O RING	3				0	0
040	06012-71231	BODY	1	<=11845			0.05	0.11
040	06012-71231	JOINT PIPE	1	>=11846	↔		0.05	0.11
040	06012-51232	JOINT PIPE	1	>=11870	↔		0.05	0.11
050	68051-63620	ADAPTER	2				0.06	0.132
060	04810-00110	O RING	3				0	0
070	32590-39340	JOINT	1	<=11845			0	0
070	06015-11022	JOINT	1	>=11846	↔		0.06	0.132
080	RB101-63870	JOINT	1	<=11190			0.06	0.132
080	RC601-63720	JOINT	1	>=11191	↔		0.06	0.132
090	RC101-63820	T JOINT PIPE(F)	1				0.075	0.165

CHANGE VALVE [COMPONENT PARTS]



RC101-051-12

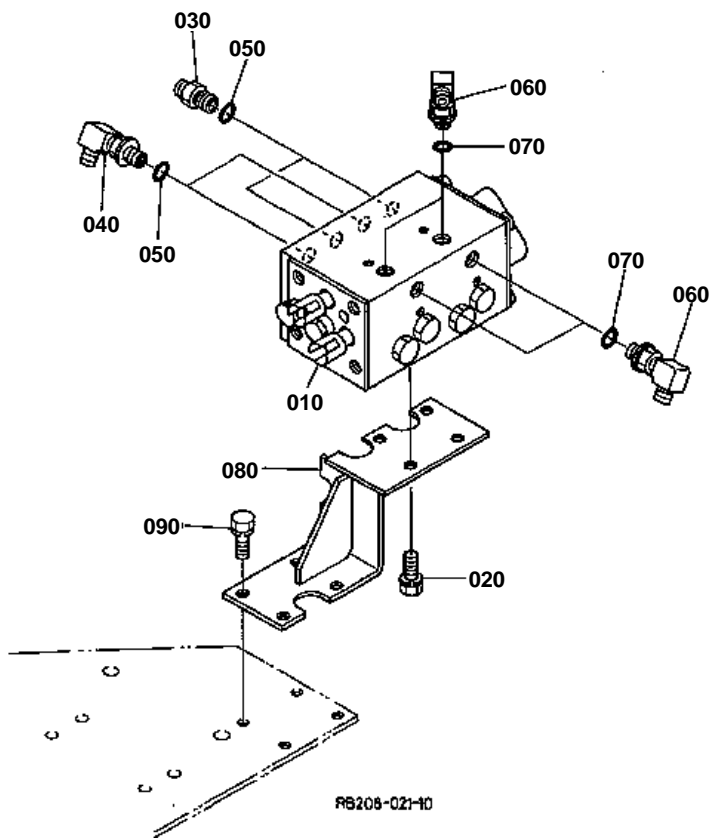


CHANGE VALVE [COMPONENT PARTS]

↔ Interchangeable; ≠ not interchangeable; ← new for old; → old for new

REF.No	Part No.	Description	Q'ty	S.No.	I/C	REMARKS	Weight (kgf)	Weight (lb)
010	RC101-61250	ASSY VALVE CHANGE	1				3.8	8.36
020	RC101-76110	HOUSING	1				2.48	5.456
030	RC101-76120	VALVE RELIEF	1				0.2	0.44
040	RC101-76130	SPRING	2				0.001	0.0022
050	04810-00140	O RING	2				0	0
060	04810-00210	O RING	2				0	0
070	04810-07220	O RING	2				0	0
080	RC101-76140	ASSY SPOOL	2				0.11	0.242
090	RC101-76150	O RING	2				0.001	0.0022
100	RC101-76160	PIPE	2				0.001	0.0022
110	RC101-76170	RETAINER SPRING	2				0.001	0.0022
120	RC101-76180	SPRING	2				0.001	0.0022
130	RC101-76190	PLUNGER	2				0.014	0.0308
140	RC101-76210	STOPPER	2				0.018	0.0396
150	RC101-76220	ROD	2				0.001	0.0022
160	RC101-76230	HOUSING INNER	2				0.05	0.11
170	RC101-76240	SPACER	2				0.017	0.0374
180	RC101-76250	ASSY COIL	2				0.09	0.198
190	RC101-76260	SCREW	2				0.1	0.22

MULTI VALVE



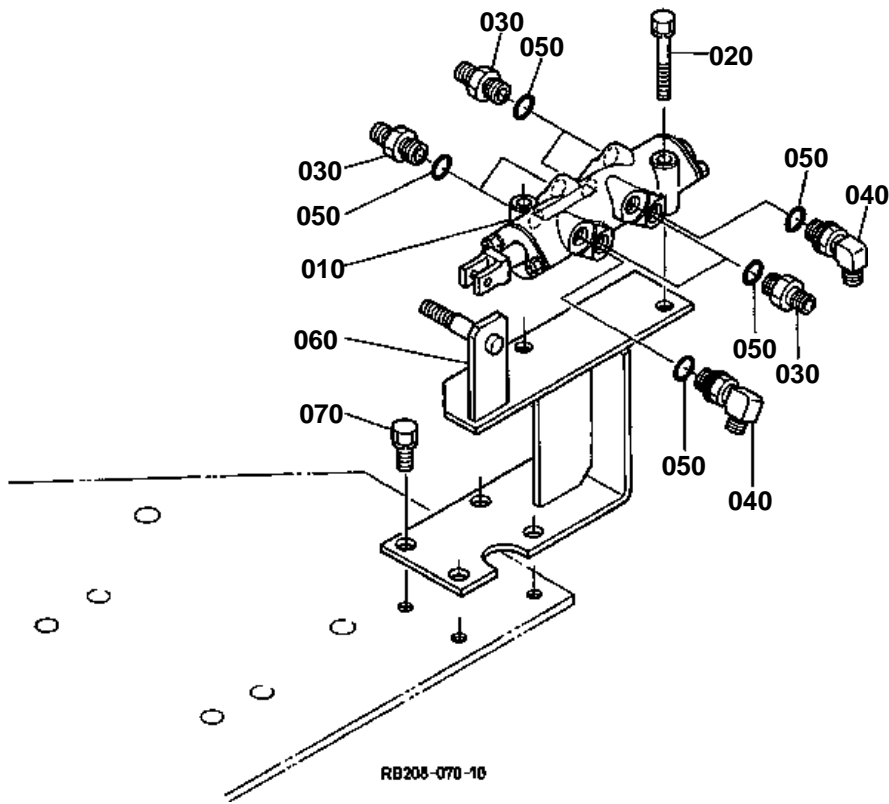


MULTI VALVE
S.NO.A:<=11363

↔ Interchangeable; ≠ not interchangeable; ← new for old; → old for new

REF.No	Part No.	Description	Q'ty	S.No.	I/C	REMARKS	Weight (kgf)	Weight (lb)
010	RB208-96500	ASSY VALVE	1				8.4	18.48
020	01133-61020	BOLT	4				0.02	0.044
030	68728-76150	ADAPTER	2				0.02	0.044
040	RB101-63870	JOINT	2	<=11190			0.06	0.132
040	RC601-63720	JOINT	2	>=11191	↔		0.06	0.132
050	04811-00110	O RING	4				0	0
060	RP201-69620	JOINT	4				0.045	0.099
070	04811-00080	O RING	4				0	0
080	RB208-96120	BRACKET(TPSS)	1				0.99	2.178
090	01133-61025	BOLT	4				0.02	0.044

TPSS VALVE



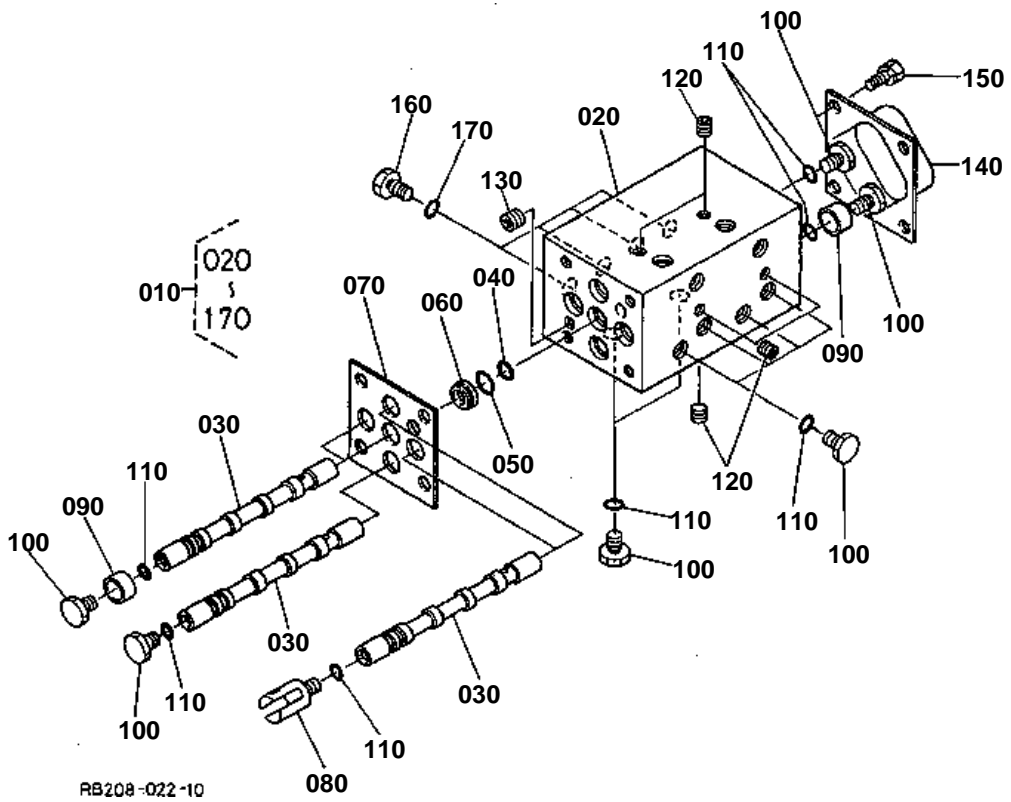


TPSS VALVE
S.NO.A:11364>=

↔ Interchangeable; ≠ not interchangeable; ← new for old; → old for new

REF.No	Part No.	Description	Q'ty	S.No.	I/C	REMARKS	Weight (kgf)	Weight (lb)
010	RB208-96900	ASSY VALVE TPSS	1				1.49	3.278
020	01123-60860	BOLT	2				0.03	0.066
030	68499-63960	ADAPTER	6				0.05	0.11
040	RP201-69620	JOINT	2				0.045	0.099
050	04811-00080	O RING	8				0	0
060	RB208-96830	BRACKET(TPSS)	1				1.4	3.08
070	01133-61025	BOLT	4				0.02	0.044

MULTI VALVE [COMPONENT PARTS]



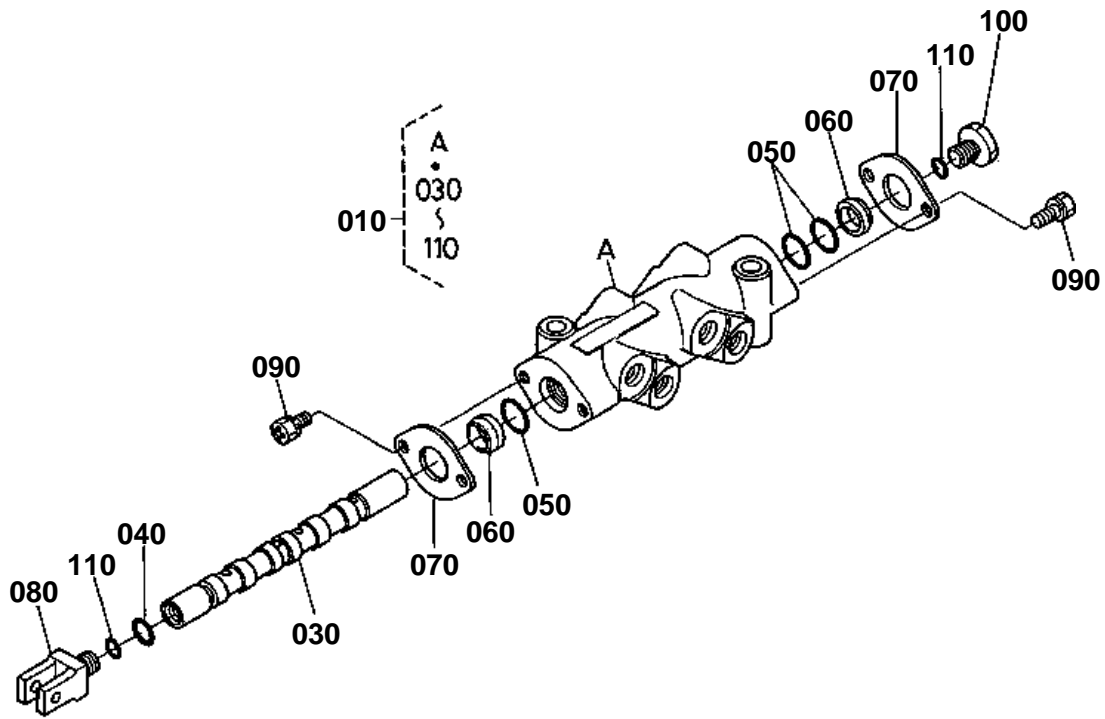


MULTI VALVE [COMPONENT PARTS]
[KTC KCL]S.NO.A:<=11363

↔ Interchangeable; ≠ not interchangeable; ← new for old; → old for new

REF.No	Part No.	Description	Q'ty	S.No.	I/C	REMARKS	Weight (kgf)	Weight (lb)
010	RB208-96500	ASSY VALVE	1				8.4	18.48
020	68311-96513	BODY VALVE	1				7.1	15.62
030	68311-96524	SPOOL	5				0.14	0.308
040	04811-40080	O RING	5				0.001	0.0022
050	04811-40110	O RING	10				0.001	0.0022
060	68311-96492	RING BACK UP	5				0.001	0.0022
070	68311-96950	PLATE	1				0.065	0.143
080	68311-96540	ROD	2				0.005	0.011
090	68318-96020	COLLAR	3				0.005	0.011
100	68311-96550	PLUG	14				0.014	0.0308
110	04811-00080	O RING	14				0	0
120	68311-96563	PLUG	6				0.005	0.011
130	68311-13380	PLUG	1				0.003	0.0066
140	68311-96580	COVER	1				0.2	0.44
150	01123-60816	BOLT	4				0.01	0.022
160	68811-17430	PLUG	4				0.04	0.088
170	04811-40110	O RING	4				0.001	0.0022

TPSS VALVE [COMPONENT PARTS]



R6208-071-11

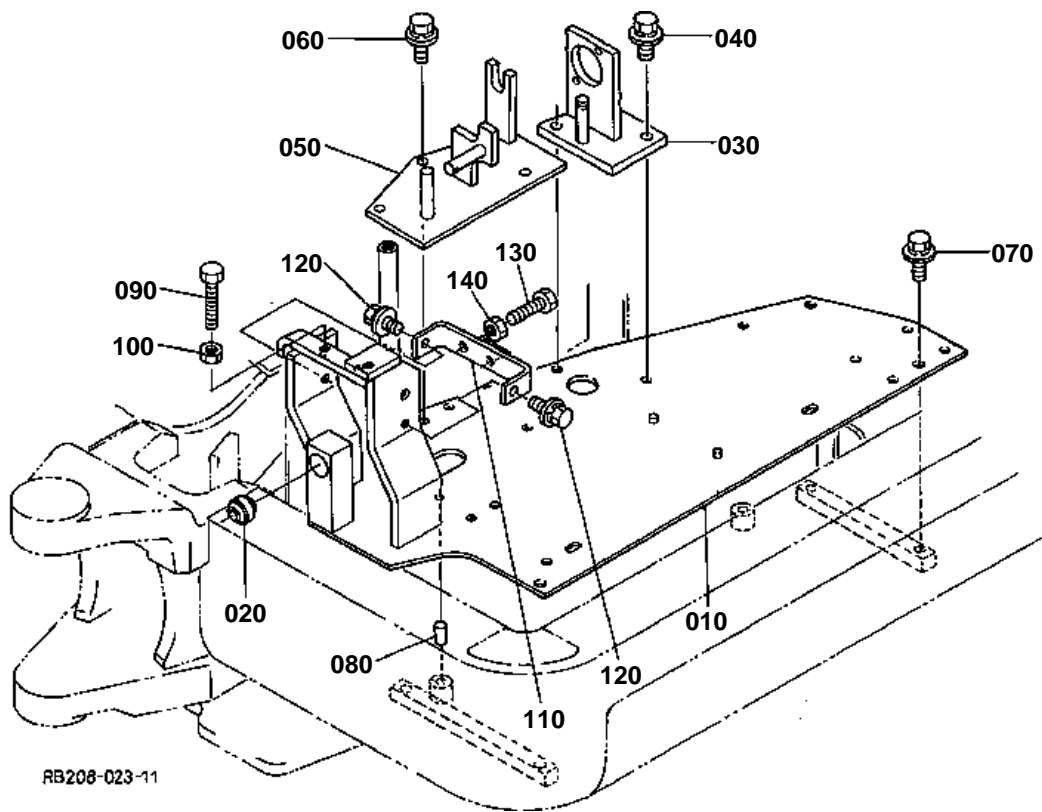


TPSS VALVE [COMPONENT PARTS]
[KTC KCL]S.NO.A:>=11364

↔ Interchangeable; ≠ not interchangeable; ← new for old; → old for new

REF.No	Part No.	Description	Q'ty	S.No.	I/C	REMARKS	Weight (kgf)	Weight (lb)
010	RB208-96900	ASSY VALVE TPSS	1				1.49	3.278
020	99999-99999	BLANK	0				0	0
030	RB208-96920	SPOOL	1				0.13	0.286
040	04811-40080	O RING	1				0.001	0.0022
050	04811-40110	O RING	3				0.001	0.0022
060	68311-96492	RING BACK UP	2				0.001	0.0022
070	RB208-96950	PLATE	2				0.012	0.0264
080	68311-96540	ROD	1				0.005	0.011
090	01202-60612	BOLT	4				0.006	0.0132
100	68311-96550	PLUG	1				0.014	0.0308
110	04811-00090	O RING	2				0	0

CONTROL LEVER (FRAME)

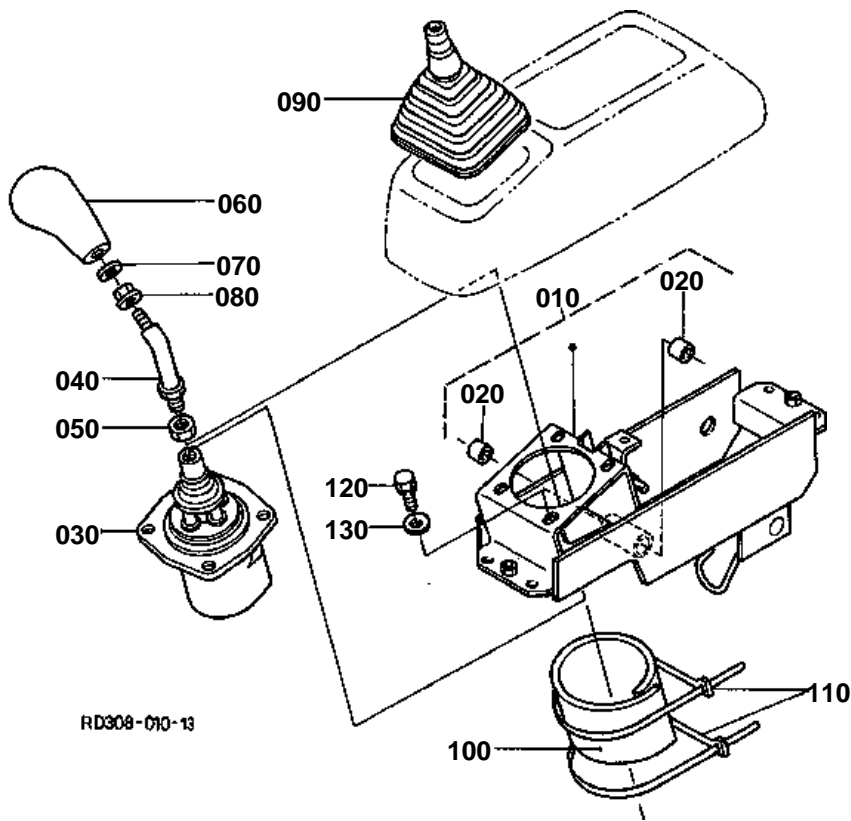


**CONTROL LEVER (FRAME)**

↔ Interchangeable; ≠ not interchangeable; ← new for old; → old for new

REF.No	Part No.	Description	Q'ty	S.No.	I/C	REMARKS	Weight (kgf)	Weight (lb)
010	RB208-65110	BRACKET	1				11	24.2
020	68741-92160	BUSH	1				0.03	0.066
030	RB101-65122	BRACKET	1	<=11025			0.88	1.936
030	RB101-65122	BRACKET	1	>=11026	≠		0.88	1.936
040	01135-61025	BOLT	2				0.04	0.088
050	RB101-65130	BRACKET	1				1.8	3.96
060	01135-61025	BOLT	3				0.04	0.088
070	01135-61020	BOLT	4				0.015	0.033
080	05012-01016	PIN STRAIGHT	2				0.01	0.022
090	01153-60830	BOLT	2	<=11103			0.01	0.022
090	01155-60835	BOLT	2	>=11104	←		0.015	0.033
100	02114-60080	NUT	2				0.002	0.0044
110	RB208-65370	BRACKET STOPPER	1				0.24	0.528
120	01125-60825	BOLT	2				0.016	0.0352
130	01153-60830	BOLT	2	<=11103			0.01	0.022
130	01155-60835	BOLT	2	>=11104	←		0.015	0.033
140	02114-60080	NUT	2				0.002	0.0044

CONTROL LEVER (LEVER LH)

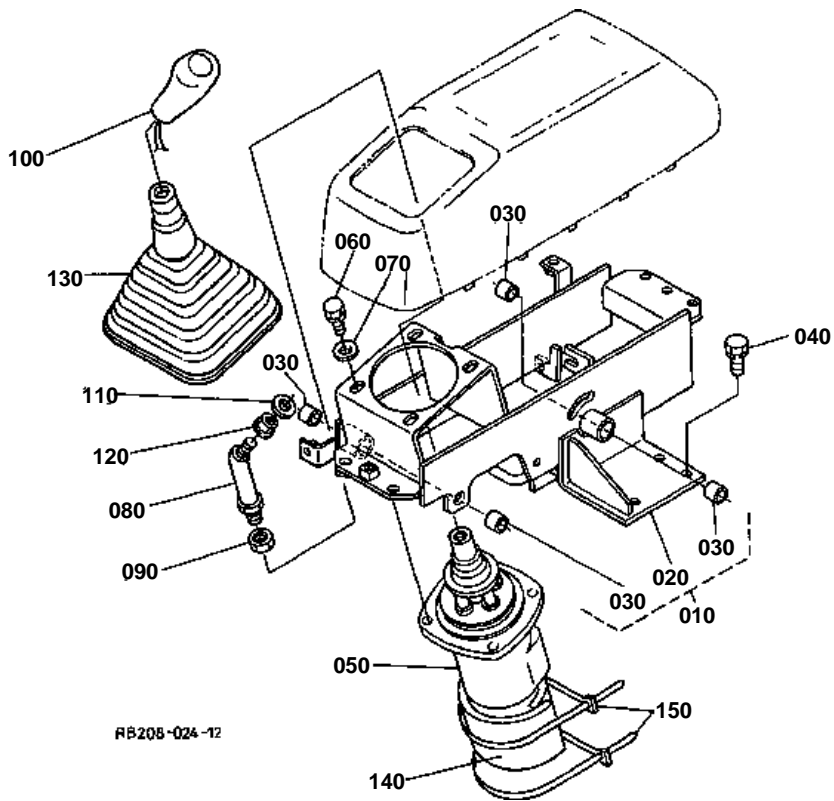


**CONTROL LEVER (LEVER LH)**

↔ Interchangeable; ≠ not interchangeable; ← new for old; → old for new

REF.No	Part No.	Description	Q'ty	S.No.	I/C	REMARKS	Weight (kgf)	Weight (lb)
010	RC101-44500	ASSY BRACKET LH	1				4.5	9.9
020	08511-01620	BUSH	2				0.008	0.0176
030	RB208-61720	ASSY VALVE PILOT	1	≤11319			0	0
030	RB208-61722	ASSY VALVE PILOT	1	≥11320	←		4.1	9.02
040	RB208-65210	LEVER CONTROL	1	≤11444			0	0
040	RB208-65212	LEVER CONTROL	1	≥11445	←		0.17	0.374
050	02052-60140	NUT	1				0.018	0.0396
060	RB101-65610	GRIP LH	1				0.15	0.33
070	04011-50120	WASHER PLAIN	1				0.005	0.011
080	RC101-65240	NUT	1	≤11032			0.01	0.022
080	RC301-65240	NUT	1	≥11033	←		0.013	0.0286
090	RC101-65230	BELLOWS	1				0.18	0.396
100	RC101-54340	PLATE PARTITION COO.	1				0.02	0.044
110	71585-11190	BAND INLET PIPE	2				0.002	0.0044
120	01123-60820	BOLT	4				0.015	0.033
130	04013-60080	WASHER PLAIN	4				0.002	0.0044

CONTROL LEVER (LEVER RH)

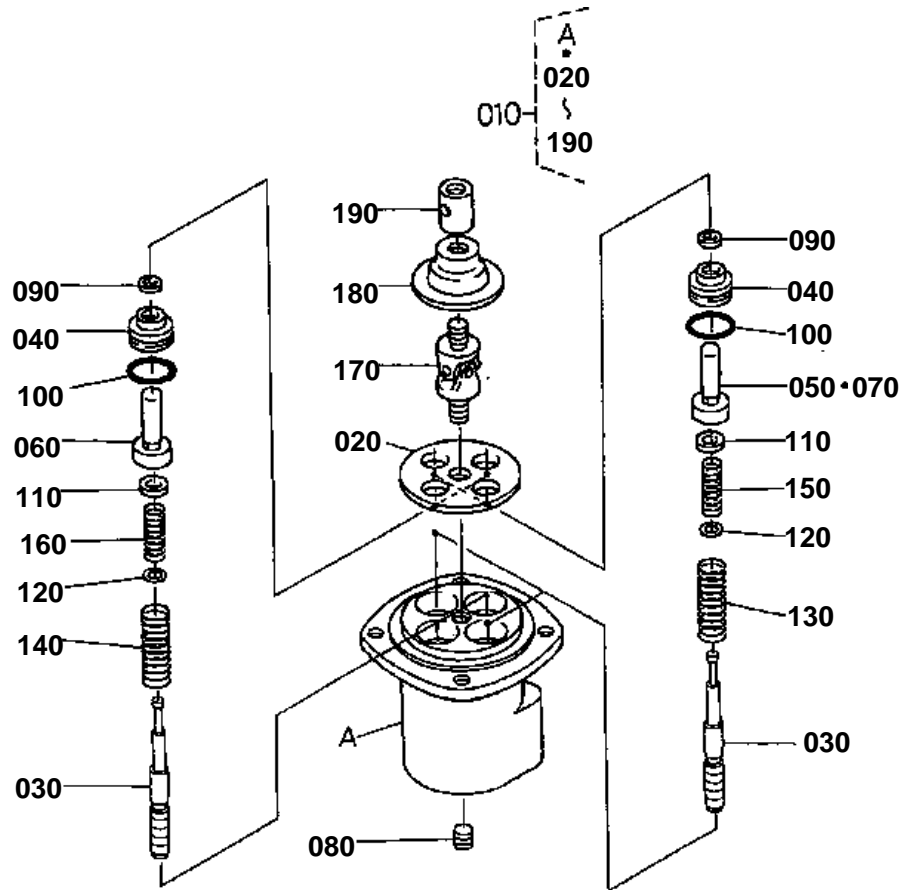


**CONTROL LEVER (LEVER RH)**

↔ Interchangeable; ≠ not interchangeable; ← new for old; → old for new

REF.No	Part No.	Description	Q'ty	S.No.	I/C	REMARKS	Weight (kgf)	Weight (lb)
010	RB208-53100	ASSY BRACKET RH	1				5.4	11.88
020	RB208-53110	BRACKET RH	1				5	11
030	08511-01415	BUSH	4				0.006	0.0132
040	01133-61020	BOLT	4				0.02	0.044
050	RB208-61720	ASSY VALVE PILOT	1	<=11319			0	0
050	RB208-61722	ASSY VALVE PILOT	1	>=11320	←		4.1	9.02
060	01123-60820	BOLT	4				0.015	0.033
070	04013-60080	WASHER PLAIN	4				0.002	0.0044
080	RB208-65210	LEVER CONTROL	1	<=11444			0	0
080	RB208-65212	LEVER CONTROL	1	>=11445	←		0.17	0.374
090	02052-60140	NUT	1				0.018	0.0396
100	RB101-65620	GRIP RH	1				0.135	0.297
110	04011-50120	WASHER PLAIN	1				0.005	0.011
120	RC101-65240	NUT	1	<=11032			0.01	0.022
120	RC301-65240	NUT	1	>=11033	←		0.013	0.0286
130	RC101-65230	BELLOWS	1				0.18	0.396
140	RC101-54340	PLATE PARTITION COO.	1				0.02	0.044
150	71585-11190	BAND INLET PIPE	2				0.002	0.0044

PILOT VALVE [COMPONENT PARTS]



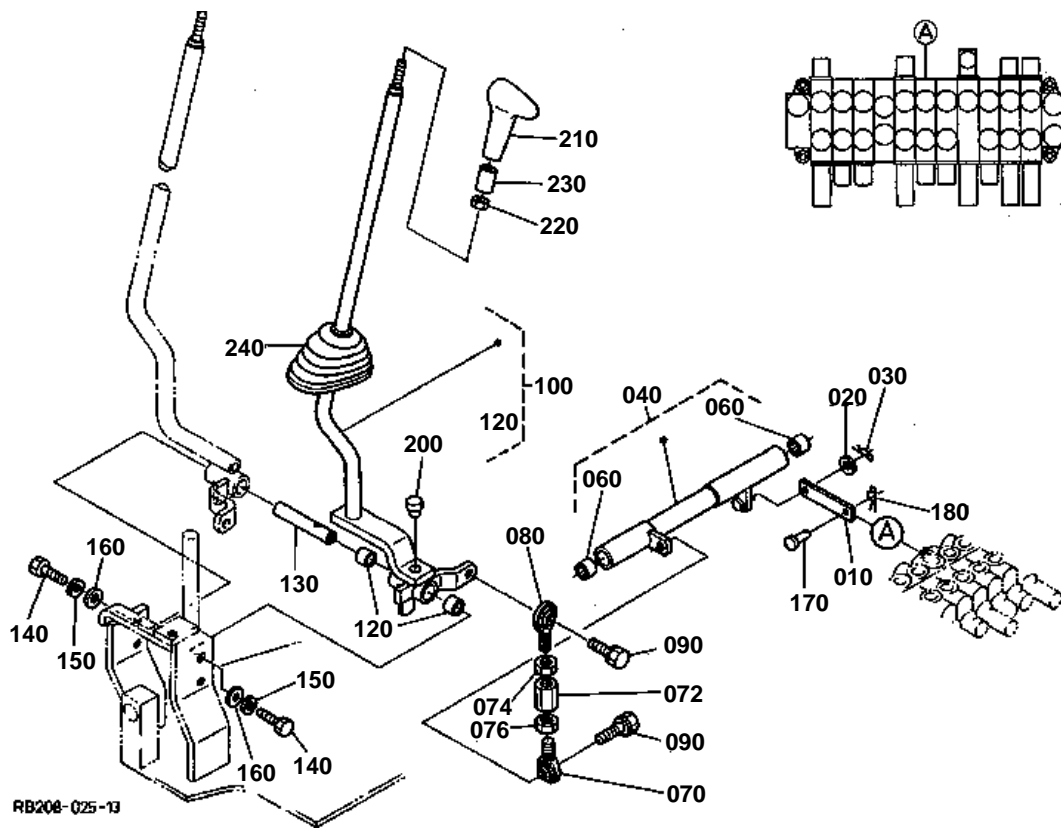
RB101-029-30

**PILOT VALVE [COMPONENT PARTS]**

↔ Interchangeable; ≠ not interchangeable; ← new for old; → old for new

REF.No	Part No.	Description	Q'ty	S.No.	I/C	REMARKS	Weight (kgf)	Weight (lb)
010	RB208-61720	ASSY VALVE PILOT	2	≤10319			0	0
010	RB208-61722	ASSY VALVE PILOT	2	≥10320	←		4.1	9.02
020	RC101-77130	PLATE	2				0.07	0.154
030	RC101-77140	SPOOL	8				0.01	0.022
040	RC101-77154	PLUG	8	≤10319			0	0
040	RC101-77155	PLUG	8	≥10320	←		0.044	0.0968
050	RB101-77165	PUSH ROD	2				0.033	0.0726
060	RB101-77175	ROD PUSH	2				0.035	0.077
070	RB101-77324	PUSH ROD	4				0.031	0.0682
080	31351-37150	PLUG	2				0.007	0.0154
090	RC101-77182	DUST LIPE SEAL	8				0.001	0.0022
100	04810-00200	O RING	8				0	0
110	RC101-77190	SUPPORT SPRING	8				0.003	0.0066
120	RC101-77210	SHIM	8				0.001	0.0022
120	RC101-77310	SHIM	8				0.001	0.0022
130	RC101-77220	SPRING	4				0.009	0.0198
140	RC101-77230	SPRING	4				0.013	0.0286
150	RB101-77242	SPRING	6				0.004	0.0088
160	RB101-77260	SPRING	2				0.003	0.0066
170	RC101-77270	JOINT UNIVERSAL	2				0.1	0.22
180	RC101-77280	NUT	2				0.146	0.3212
190	RC101-77290	NUT ADJUSTING	2				0.06	0.132

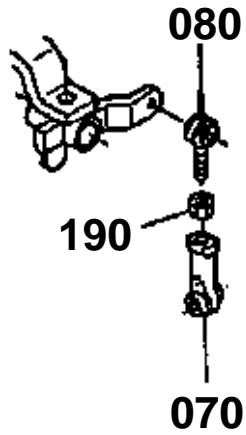
CONTROL LEVER (TRAVEL LH)



070 68551-3325-0

080 68111-6526-0

190 02114-60100



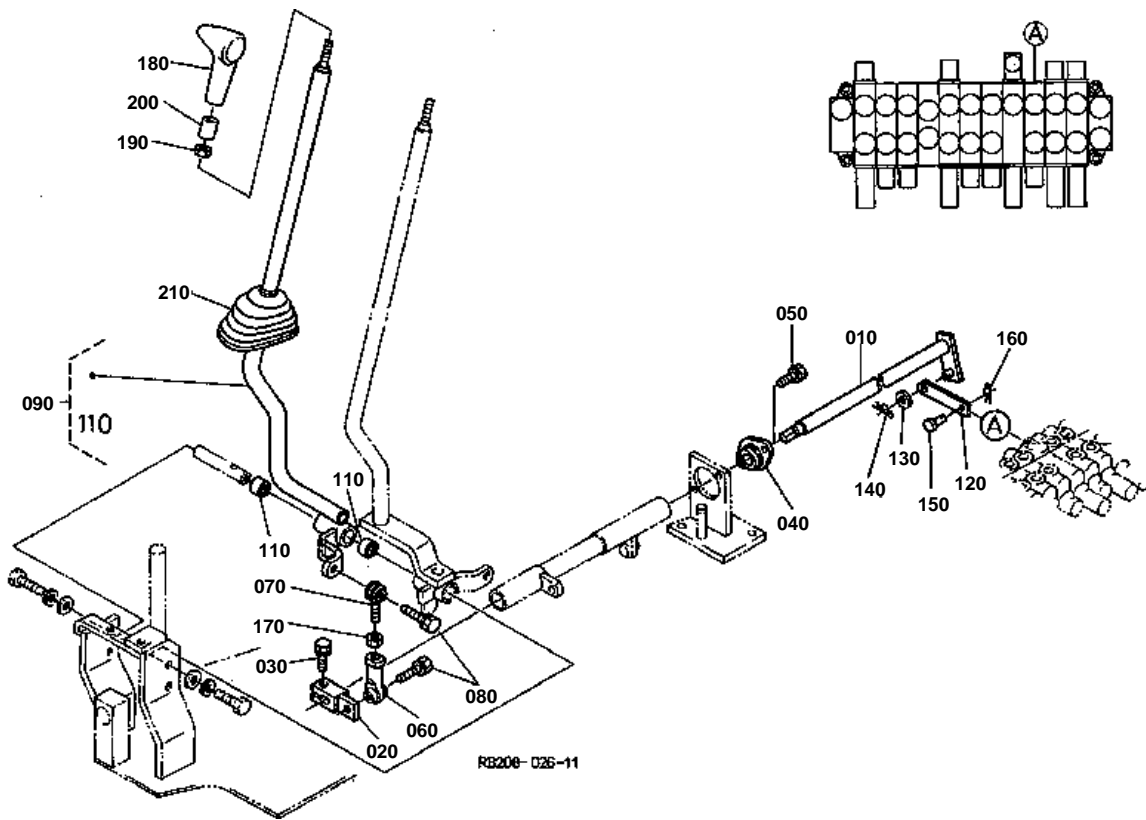
RB208-800-10

**CONTROL LEVER (TRAVEL LH)**

↔ Interchangeable; ≠ not interchangeable; ← new for old; → old for new

REF.No	Part No.	Description	Q'ty	S.No.	I/C	REMARKS	Weight (kgf)	Weight (lb)
010	RB101-65280	PLATE	1				0.044	0.0968
020	04013-60100	WASHER PLAIN	2				0.003	0.0066
030	05525-61000	PIN SNAP	2				0.002	0.0044
040	RB208-65020	ASSY LEVER DRIVE LH	1				0.95	2.09
050	99999-99999	BLANK	0				0	0
060	RC101-65160	BEARING NEEDLE	2				0.02	0.044
070	68551-33250	JOINT	1	≤11190			0.067	0.1474
070	RB208-65250	END ROD LH	1	≥11191	←		0.043	0.0946
072	RB208-65290	TURNBUCKLE	1	≥11191			0.032	0.0704
074	02118-60100	NUT	1	≥11191			0.006	0.0132
076	68011-32680	NUT LOCK	1	≥11191			0.006	0.0132
080	68111-65260	END ROD	1	≤11190			0.055	0.121
080	RB208-65260	END ROD RH	1	≥11191	←		0.04	0.088
090	01133-61025	BOLT	2				0.02	0.044
100	RB208-65030	ASSY LEVER DRIVE LH	1				1.75	3.85
110	99999-99999	BLANK	0				0	0
120	68741-65360	BEARING NEEDLE	2				0.02	0.044
130	RB208-65340	PIN DRIVE	1				0.17	0.374
140	01176-61025	BOLT	2				0.02	0.044
150	04512-60100	WASHER SPRING	2				0.002	0.0044
160	04013-60100	WASHER PLAIN	2				0.003	0.0066
170	68191-65220	PIN JOINT	1				0.003	0.0066
180	05525-60500	PIN SNAP	1				0.001	0.0022
190	02114-60100	NUT	1	≤11190			0.008	0.0176
200	68741-65430	CAP	1				0.001	0.0022
210	RC101-65280	GRIP TRAVEL	1				0.16	0.352
220	02074-60120	NUT	1				0.016	0.0352
230	RC101-65290	CAP	1				0.001	0.0022
240	68161-65162	RUBBER BELLOWS	1				0.062	0.1364

CONTROL LEVER (TRAVEL RH)

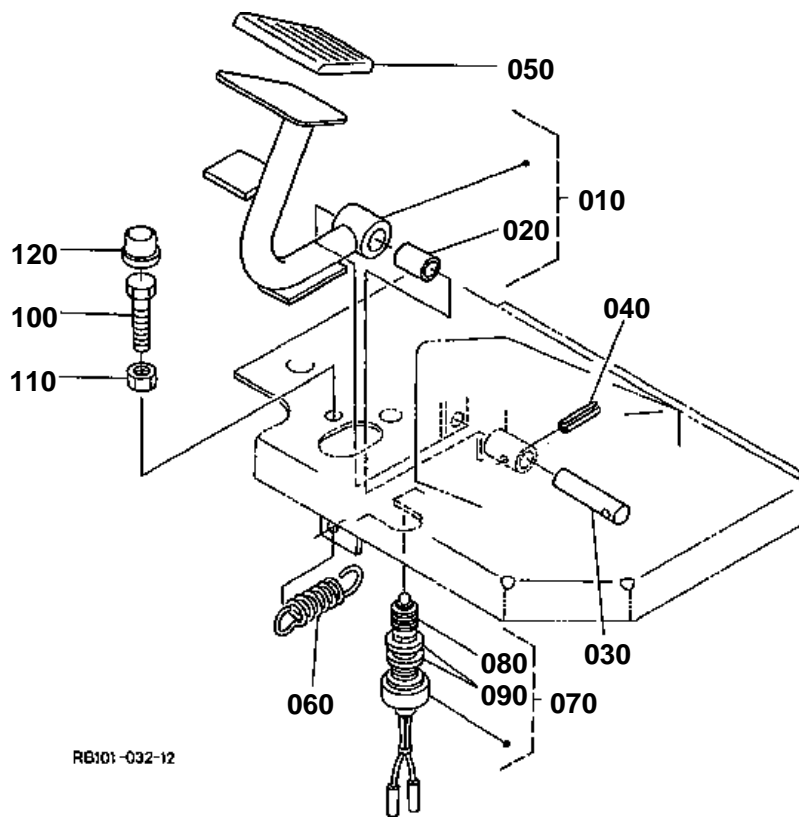


**CONTROL LEVER (TRAVEL RH)**

↔ Interchangeable; ≠ not interchangeable; ← new for old; → old for new

REF.No	Part No.	Description	Q'ty	S.No.	I/C	REMARKS	Weight (kgf)	Weight (lb)
010	RB101-65310	LEVER TRAVEL RH	1				1	2.2
020	RB208-65320	LEVER TRAVEL RH	1	<=11309			0	0
020	RB208-65322	LEVER TRAVEL RH	1	>=11310	←		0.155	0.341
030	01133-61025	BOLT	1				0.02	0.044
040	RC101-65330	BUSH	1				0.145	0.319
050	01123-60816	BOLT	2				0.01	0.022
060	68551-33250	JOINT	1				0.067	0.1474
070	68111-65260	END ROD	1				0.055	0.121
080	01133-61025	BOLT	2				0.02	0.044
090	RB208-65040	ASSY LEVER DRIVE RH	1				1.5	3.3
100	99999-99999	BLANK	0				0	0
110	68741-65360	BEARING NEEDLE	2				0.02	0.044
120	RB208-65660	PLATE	1				0.03	0.066
130	04013-60100	WASHER PLAIN	1				0.003	0.0066
140	05525-61000	PIN SNAP	1				0.002	0.0044
150	68191-65220	PIN JOINT	1				0.003	0.0066
160	05525-60500	PIN SNAP	1				0.001	0.0022
170	02114-60100	NUT	1				0.008	0.0176
180	RC101-65280	GRIP TRAVEL	1				0.16	0.352
190	02074-60120	NUT	1				0.016	0.0352
200	RC101-65290	CAP	1				0.001	0.0022
210	68161-65162	RUBBER BELLOWS	1				0.062	0.1364

CONTROL TRAVEL PEDAL



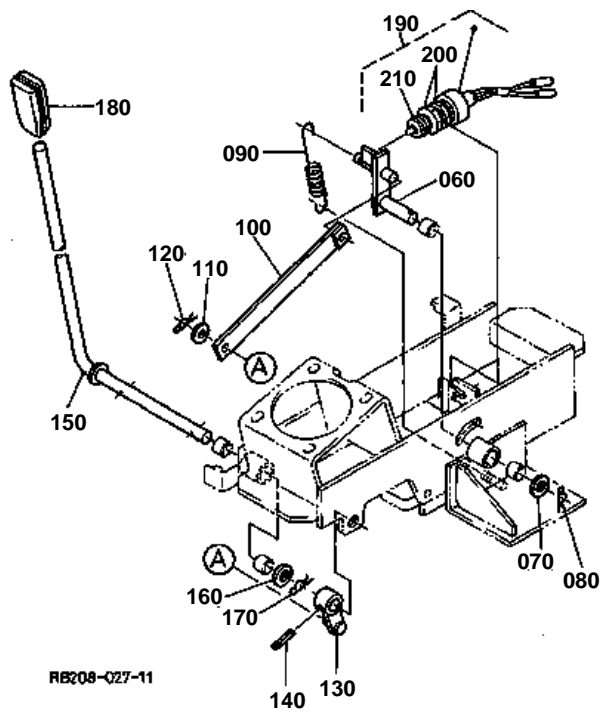


CONTROL TRAVEL PEDAL

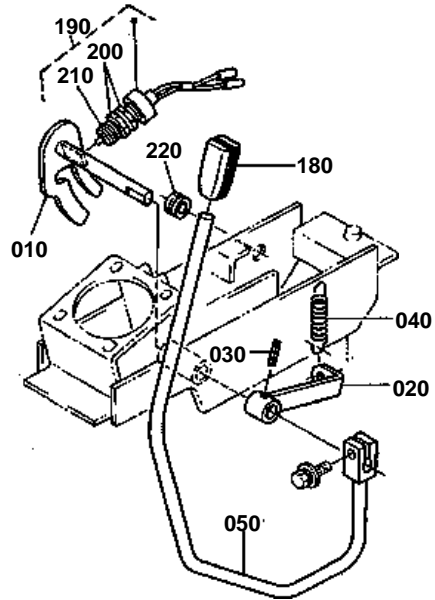
↔ Interchangeable; ≠ not interchangeable; ← new for old; → old for new

REF.No	Part No.	Description	Q'ty	S.No.	I/C	REMARKS	Weight (kgf)	Weight (lb)
010	RB101-65090	ASSY PEDAL	1				0.3	0.66
020	08511-01020	BUSH	1				0.005	0.011
030	RC101-65450	PIN	1				0.02	0.044
040	05411-00420	PIN SPRING	1				0.001	0.0022
050	66204-43410	COVER PEDAL REAR	1				0.06	0.132
060	50300-61280	SPRING TENSION 3	1				0.02	0.044
070	RC101-53390	SWITCH SAFETY	1				0.12	0.264
080	67111-55840	CAP SAFETY SWITCH	1				0.002	0.0044
090	67111-55830	NUT SAFETY SWITCH	2				0.035	0.077
100	01155-60835	BOLT	1				0.015	0.033
110	02114-60080	NUT	1				0.002	0.0044
120	35593-83980	CAP RUBBER	1				0.001	0.0022

CONTROL LEVER (SAFETY LOCK LEVER)



RB208-027-11



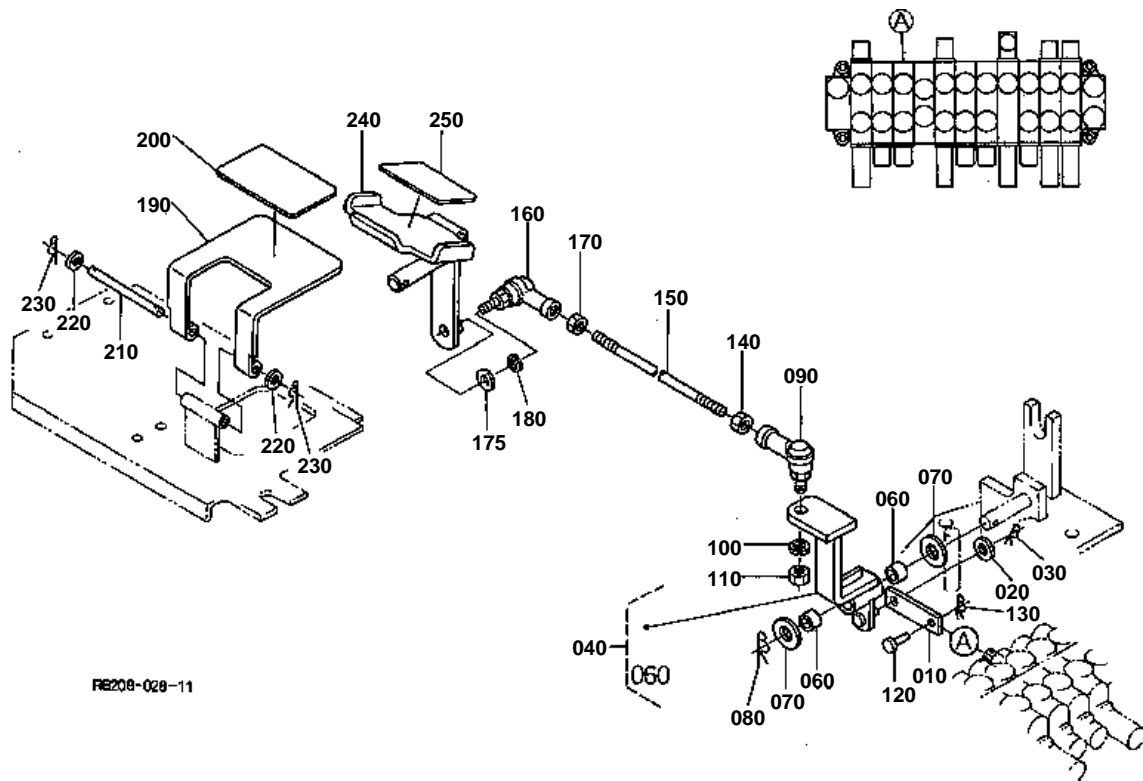


CONTROL LEVER (SAFETY LOCK LEVER)

↔ Interchangeable; ≠ not interchangeable; ← new for old; → old for new

REF.No	Part No.	Description	Q'ty	S.No.	I/C	REMARKS	Weight (kgf)	Weight (lb)
010	RC101-65740	LEVER LOCK LH	1				0.44	0.968
020	RC101-65780	LEVER SPRING	1				0.115	0.253
030	05411-00430	PIN SPRING	1				0.002	0.0044
040	RC101-65790	SPRING	1				0.03	0.066
050	RB208-65860	LEVER LOCK LH	1				1	2.2
060	RB208-65810	LEVER LOCK RH	1				0.2	0.44
070	04011-50140	WASHER PLAIN	1				0.007	0.0154
080	05525-51400	PIN SNAP	1				0.005	0.011
090	68318-65870	SPRING	1				0.04	0.088
100	RB208-65820	PLATE	1				0.16	0.352
110	04013-60100	WASHER PLAIN	1				0.003	0.0066
120	05525-61000	PIN SNAP	1				0.002	0.0044
130	RB208-65830	LEVER LOCK RH	1				0.1	0.22
140	05411-00425	PIN SPRING	1				0.001	0.0022
150	RB208-65840	LEVER LOCK RH	1				0.6	1.32
160	04011-50140	WASHER PLAIN	1				0.007	0.0154
170	05525-51400	PIN SNAP	1				0.005	0.011
180	RC101-65760	GRIP LEVER	2				0.028	0.0616
190	RC101-53390	SWITCH SAFETY	2				0.12	0.264
200	67111-55830	NUT SAFETY SWITCH	2				0.035	0.077
210	67111-55840	CAP SAFETY SWITCH	1				0.002	0.0044
220	68551-51250	CUSHION	1				0.001	0.0022

CONTROL PEDAL (SWIVEL/SWING CHANGE)



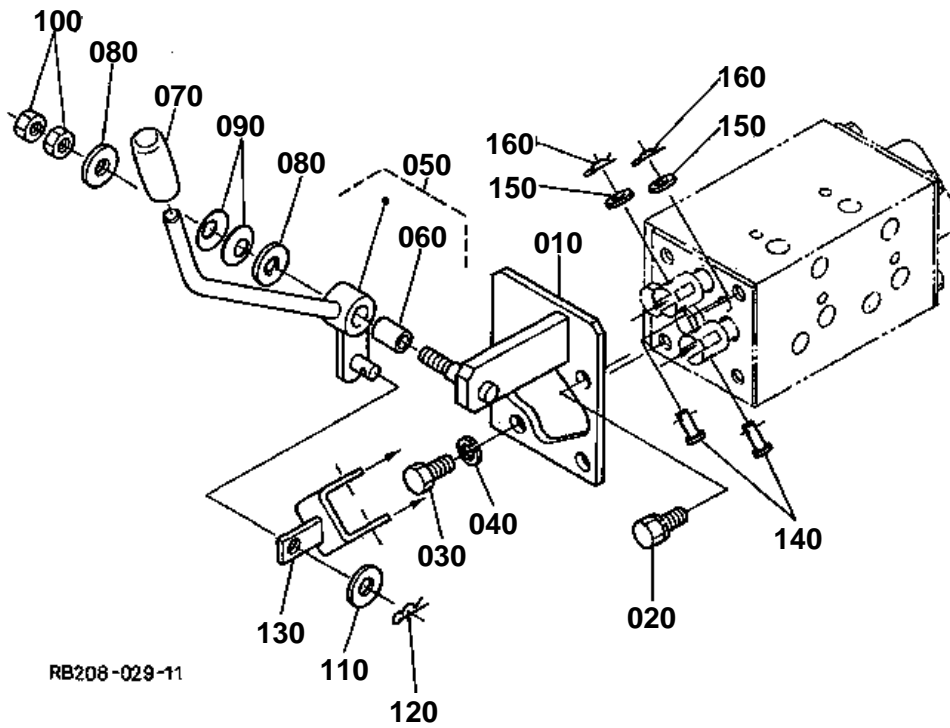
RB208-028-11

**CONTROL PEDAL (SWIVEL/SWING CHANGE)**

↔ Interchangeable; ≠ not interchangeable; ← new for old; → old for new

REF.No	Part No.	Description	Q'ty	S.No.	I/C	REMARKS	Weight (kgf)	Weight (lb)
010	68191-65520	PLATE	1				0.03	0.066
020	04013-60100	WASHER PLAIN	1				0.003	0.0066
030	05525-61000	PIN SNAP	1				0.002	0.0044
040	RB208-65050	ASSY LEVER SWING	1				0.36	0.792
050	99999-99999	BLANK	0				0	0
060	08511-01410	BUSH	2				0.005	0.011
070	04011-50140	WASHER PLAIN	2				0.007	0.0154
080	05525-51400	PIN SNAP	1				0.005	0.011
090	52300-75190	BALL LINK	1				0.115	0.253
100	04512-60100	WASHER SPRING	1				0.002	0.0044
110	02118-60100	NUT	1				0.006	0.0132
120	68021-32790	PIN	1				0.004	0.0088
130	05525-60500	PIN SNAP	1				0.001	0.0022
140	68011-32680	NUT LOCK	1				0.006	0.0132
150	RB208-65390	ROD	1				0.19	0.418
160	52300-75170	BALL LINK	1				0.1	0.22
170	02118-60100	NUT	1				0.006	0.0132
175	04013-60100	WASHER PLAIN	1				0.003	0.0066
180	04512-60100	WASHER SPRING	1				0.002	0.0044
190	RB208-65430	COVER SWING SP	1				0.27	0.594
200	68151-92180	STOPPER	1				0.01	0.022
210	RC101-65440	PIN SWING COVER	1				0.02	0.044
220	04013-60060	WASHER PLAIN	2				0.001	0.0022
230	05525-60600	PIN SNAP	2				0.001	0.0022
240	RC108-92160	PEDAL SWING SP	1				0.55	1.21
250	RC101-65580	SEAT	1				0.002	0.0044

CONTROL LEVER (TPSS)



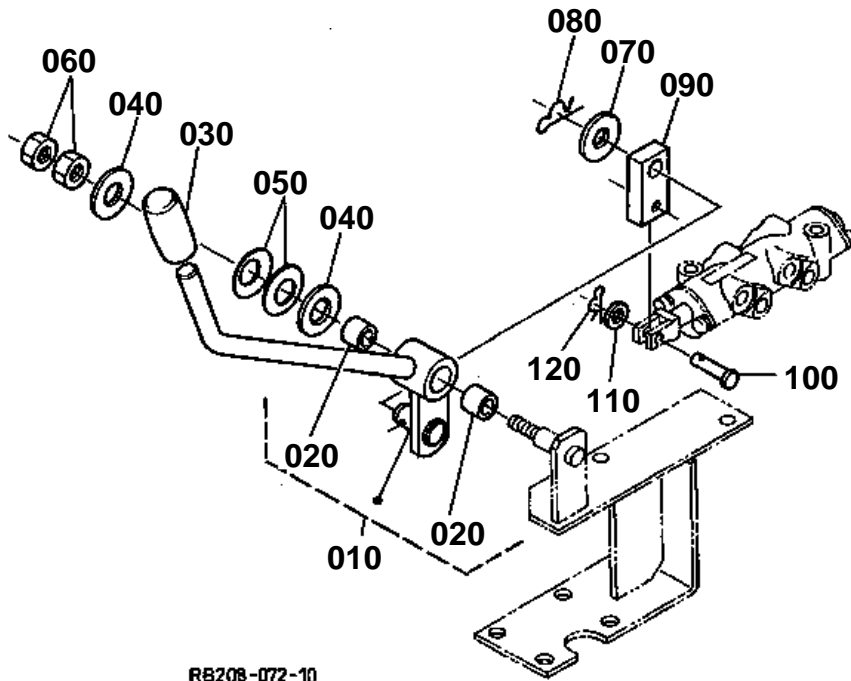


CONTROL LEVER (TPSS)
[KTC KCL]S.NO.A:<=11363

↔ Interchangeable; ≠ not interchangeable; ← new for old; → old for new

REF.No	Part No.	Description	Q'ty	S.No.	I/C	REMARKS	Weight (kgf)	Weight (lb)
010	RD108-96720	BRACKET JD CHANGE	1				0.53	1.166
020	01133-61020	BOLT	3				0.02	0.044
030	68301-96950	BOLT	1				0.02	0.044
040	04512-60100	WASHER SPRING	1				0.002	0.0044
050	RB208-96700	ASSY LEVER(JD)	1				0.23	0.506
060	08511-01220	BUSH	1				0.004	0.0088
070	68311-44290	CAP	1				0.01	0.022
080	04013-60100	WASHER PLAIN	2				0.003	0.0066
090	68721-65740	SPRING PLATE	2				0.002	0.0044
100	02118-60100	NUT	2				0.006	0.0132
110	04013-60100	WASHER PLAIN	1				0.003	0.0066
120	05525-61000	PIN SNAP	1				0.002	0.0044
130	68658-65120	LINK	1				0.1	0.22
140	68191-65610	PIN JOINT	2				0.001	0.0022
150	04012-50050	WASHER PLAIN	2				0.001	0.0022
160	05525-60500	PIN SNAP	2				0.001	0.0022

CONTROL LEVER (TPSS)



RB208-072-10

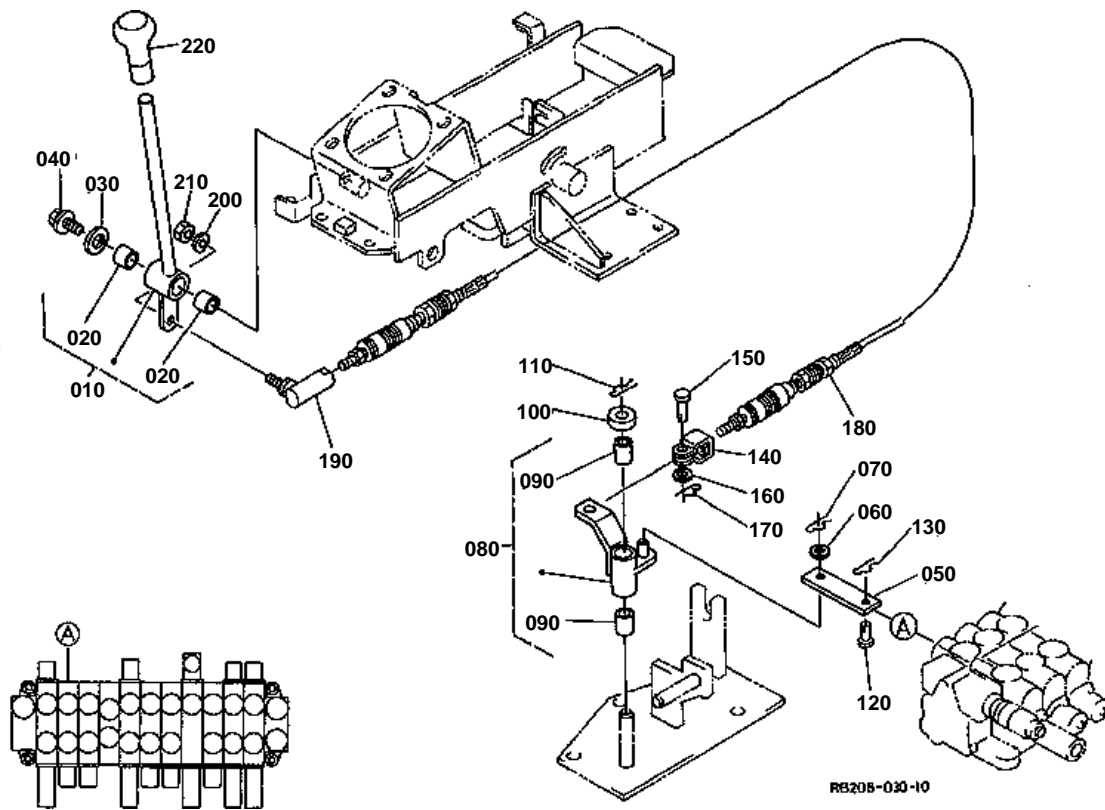


CONTROL LEVER (TPSS)
[KTC KCL]S.NO.A:>=11364

↔ Interchangeable; ≠ not interchangeable; ← new for old; → old for new

REF.No	Part No.	Description	Q'ty	S.No.	I/C	REMARKS	Weight (kgf)	Weight (lb)
010	RB208-96800	ASSY LEVER(TPSS)	1				0.2	0.44
020	08511-01210	BUSH	2				0.005	0.011
030	68311-44290	CAP	1				0.01	0.022
040	04013-60100	WASHER PLAIN	2				0.003	0.0066
050	68721-65740	SPRING PLATE	2				0.002	0.0044
060	02118-60100	NUT	2				0.006	0.0132
070	04013-60100	WASHER PLAIN	1				0.003	0.0066
080	05525-61000	PIN SNAP	1				0.002	0.0044
090	RB208-96820	PLATE	1				0	0
100	68191-65610	PIN JOINT	1				0.001	0.0022
110	04012-50050	WASHER PLAIN	1				0.001	0.0022
120	05525-60500	PIN SNAP	1				0.001	0.0022

CONTROL LEVER (BLADE)



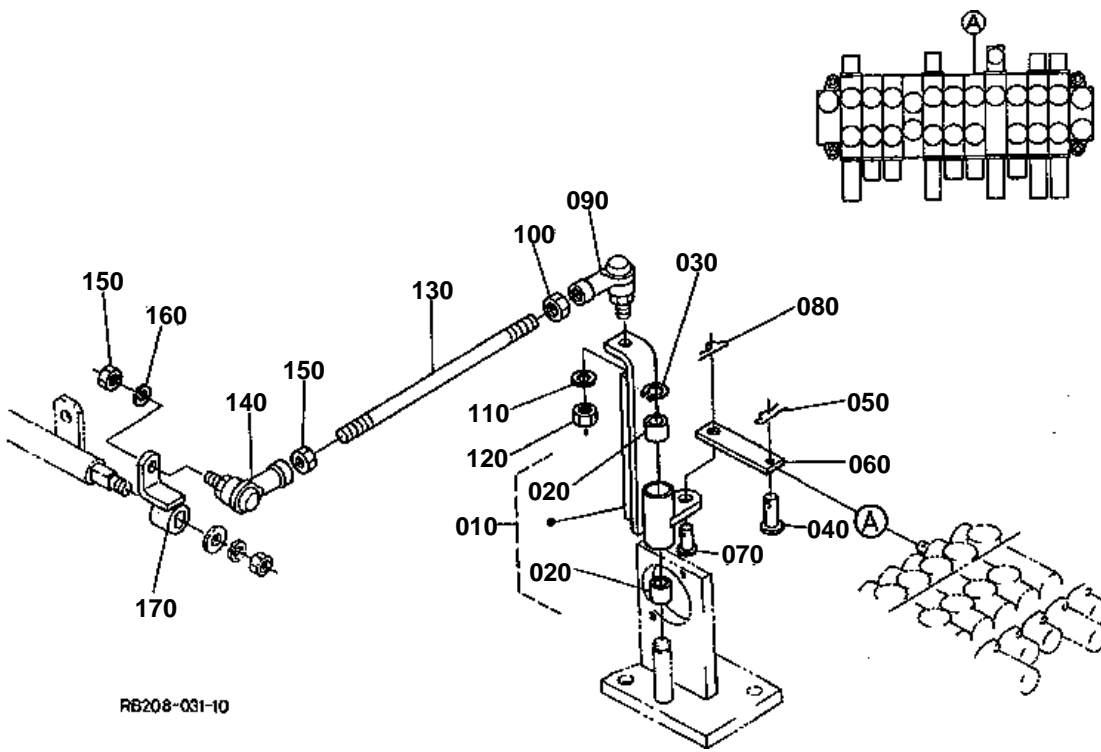


CONTROL LEVER (BLADE)

↔ Interchangeable; ≠ not interchangeable; ← new for old; → old for new

REF.No	Part No.	Description	Q'ty	S.No.	I/C	REMARKS	Weight (kgf)	Weight (lb)
010	RB101-65080	ASSY LEVER DOZER	1				0.4	0.88
020	08511-01615	BUSH	2				0.01	0.022
030	04015-60100	WASHER PLAIN	1				0.015	0.033
040	01135-61020	BOLT	1				0.015	0.033
050	RB101-65660	PLATE	1				0.039	0.0858
060	04013-60100	WASHER PLAIN	1				0.003	0.0066
070	05525-61000	PIN SNAP	1				0.002	0.0044
080	RB101-65070	ASSY LEVER DOZER	1				0.215	0.473
090	08511-01415	BUSH	2				0.006	0.0132
100	RC101-65680	COLLAR	1				0.008	0.0176
110	05525-51400	PIN SNAP	1				0.005	0.011
120	68021-32790	PIN	1				0.004	0.0088
130	05525-60500	PIN SNAP	1				0.001	0.0022
140	54511-44360	FORKED	1				0.05	0.11
150	05122-50820	PIN JOINT	1				0.009	0.0198
160	04012-50080	WASHER PLAIN	1				0.001	0.0022
170	05515-60800	PIN SNAP	1				0.002	0.0044
180	68391-65560	CABLE	1				0.89	1.958
190	68311-65230	JOINT UNIVERSAL	1				0.06	0.132
200	04512-60080	WASHER SPRING	1				0.002	0.0044
210	02114-60080	NUT	1				0.002	0.0044
220	56501-17530	GRIP	1				0.042	0.0924

CONTROL LEVER (S/P 1)



RB208-031-10

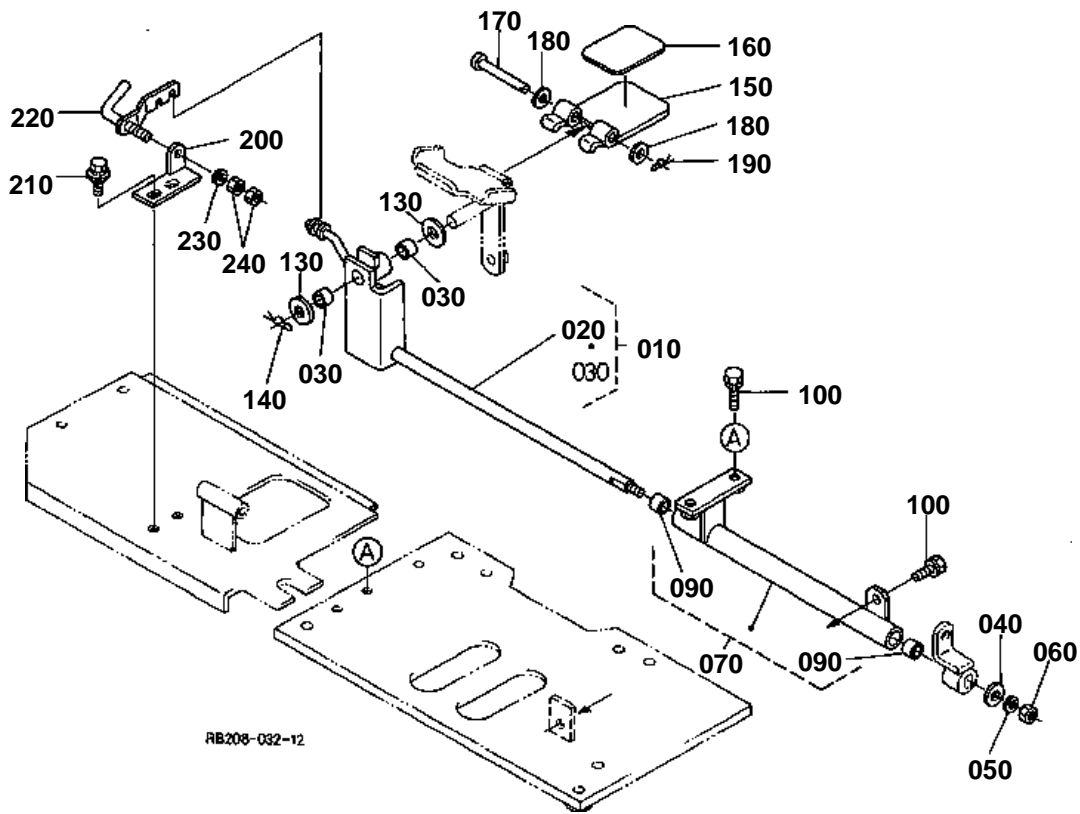


CONTROL LEVER (S/P 1)

↔ Interchangeable; ≠ not interchangeable; ← new for old; → old for new

REF.No	Part No.	Description	Q'ty	S.No.	I/C	REMARKS	Weight (kgf)	Weight (lb)
010	RB101-92010	ASSY LEVER TPSS	1	≤11032			0.385	0.847
010	RB101-92012	ASSY LEVER SP	1	≥11033	≠		0.38	0.836
020	08511-01415	BUSH	2				0.006	0.0132
030	04612-00140	CIR CLIP EXTERNAL	1				0.001	0.0022
040	68021-32790	PIN	1				0.004	0.0088
050	05525-60500	PIN SNAP	1				0.001	0.0022
060	RB101-65660	PLATE	1				0.039	0.0858
070	05122-51018	PIN JOINT	1				0.011	0.0242
080	05525-61000	PIN SNAP	1				0.002	0.0044
090	52300-75190	BALL LINK	1				0.115	0.253
100	68011-32680	NUT LOCK	1				0.006	0.0132
110	04512-60100	WASHER SPRING	1				0.002	0.0044
120	02118-60100	NUT	1				0.006	0.0132
130	68731-92360	ROD CONTROL	1				0.1	0.22
140	52300-75170	BALL LINK	1				0.1	0.22
150	02118-60100	NUT	2				0.006	0.0132
160	04512-60100	WASHER SPRING	1				0.002	0.0044
170	RB208-92130	LEVER SP	1				0.1	0.22

CONTROL LEVER (S/P 2)

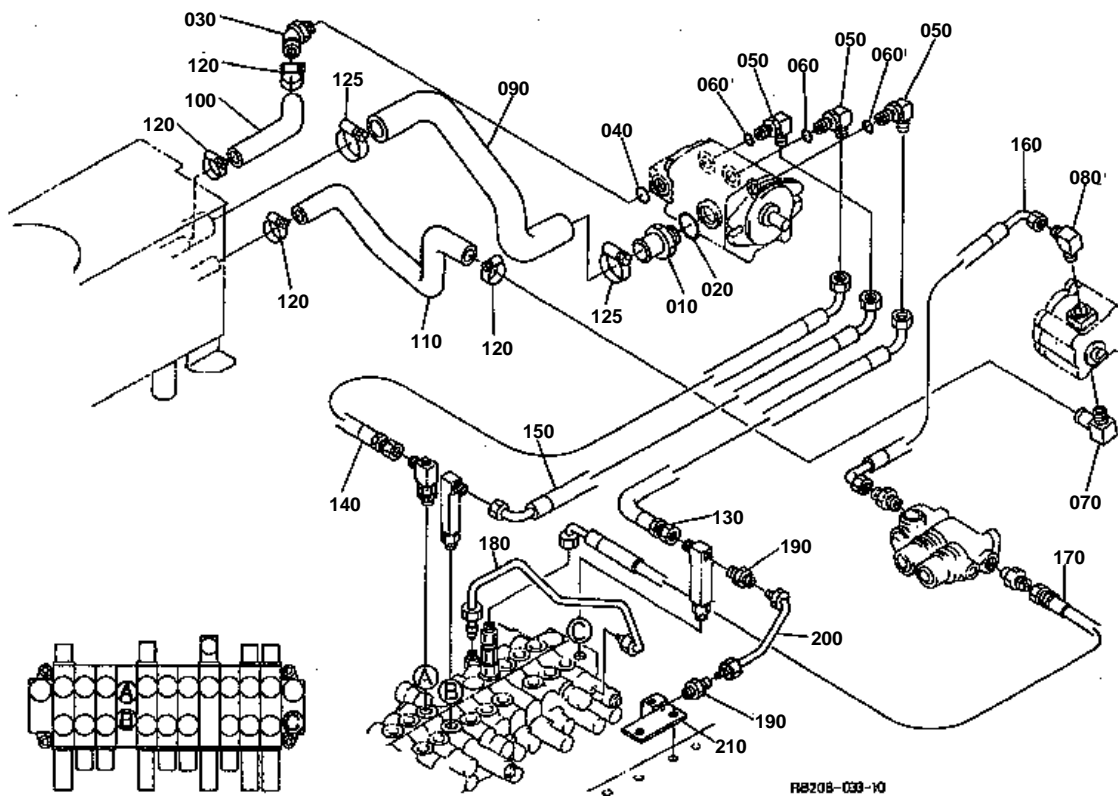


**CONTROL LEVER (S/P 2)**

↔ Interchangeable; ≠ not interchangeable; ← new for old; → old for new

REF.No	Part No.	Description	Q'ty	S.No.	I/C	REMARKS	Weight (kgf)	Weight (lb)
010	RB208-92020	ASSY LEVER SP	1				0.88	1.936
020	RB208-92120	LEVER SP	1				0.88	1.936
030	08511-01410	BUSH	2				0.005	0.011
040	04013-60100	WASHER PLAIN	1				0.003	0.0066
050	04512-60100	WASHER SPRING	1				0.002	0.0044
060	02118-60100	NUT	1				0.006	0.0132
070	RB208-92050	ASSY BRACKET SP	1				0.64	1.408
080	99999-99999	BLANK	0				0	0
090	08511-01415	BUSH	2				0.006	0.0132
100	01133-61025	BOLT	3				0.02	0.044
110	99999-99999	BLANK	0				0	0
120	99999-99999	BLANK	0				0	0
130	04011-50140	WASHER PLAIN	2				0.007	0.0154
140	05525-51400	PIN SNAP	1				0.005	0.011
150	RB401-92170	PEDAL SP	1				0.22	0.484
160	RB401-92250	STOPPER	1				0.002	0.0044
170	05122-51075	PIN JOINT	1				0.046	0.1012
180	04011-50100	WASHER PLAIN	2				0.002	0.0044
190	05525-61000	PIN SNAP	1				0.002	0.0044
200	RB208-92210	BRACKET STOPPER	1				0.068	0.1496
210	01125-60820	BOLT	2				0.015	0.033
220	RB208-92220	STOPPER	1	≤11190			0	0
220	RB208-92222	STOPPER	1	≥11191	←		0.07	0.154
230	04512-60080	WASHER SPRING	1				0.002	0.0044
240	02114-60080	NUT	2				0.002	0.0044

OIL PIPING (SUCTION,DELIVERY)

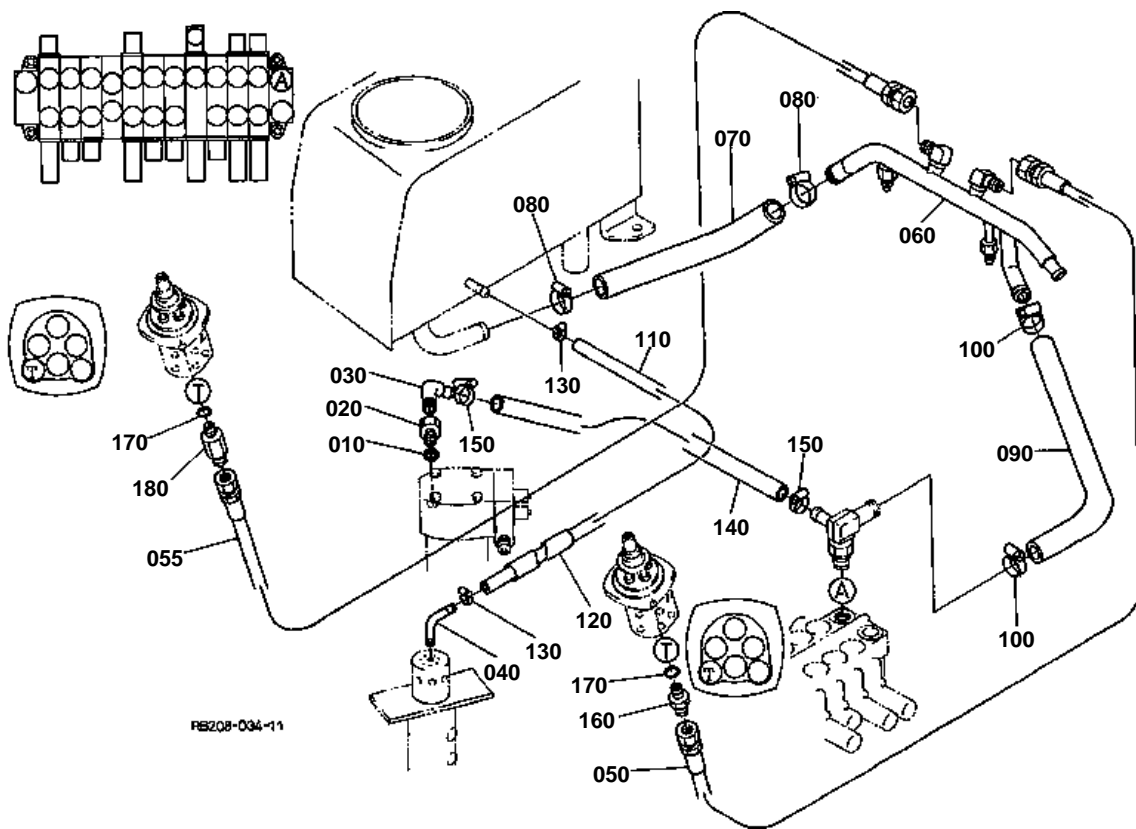


**OIL PIPING (SUCTION,DELIVERY)**

↔ Interchangeable; ≠ not interchangeable; ← new for old; → old for new

REF.No	Part No.	Description	Q'ty	S.No.	I/C	REMARKS	Weight (kgf)	Weight (lb)
010	RB101-63120	JOINT PIPE(F-)	1				0.215	0.473
020	04810-00240	O RING	1				0	0
030	RB101-63140	JOINT PIPE(F-)	1				0.215	0.473
040	04810-00180	O RING	1				0	0
050	RP201-61810	JOINT PIPE	3	≤11309			0.1	0.22
050	RP201-61810	JOINT	3	≥11310	↔		0.1	0.22
060	04810-00140	O RING	3				0	0
070	RB201-63160	JOINT PIPE(LT/-)	1				0.163	0.3586
080	54611-35510	ADAPTER	1	≤11664			0	0
080	06114-52021	ELBOW ADAPTER	1	≥11665	↔		0.05	0.11
090	RB101-63110	HOSE SUCTION	1				0.25	0.55
100	RB201-63130	HOSE SUCTION	1				0.078	0.1716
110	RB201-63150	HOSE SUCTION	1				0.261	0.5742
120	68311-72820	CLAMP HOSE	4				0.03	0.066
125	68311-72830	CLAMP HOSE	2				0.03	0.066
130	RB101-63210	HOSE HYDRAULIC	1				0.75	1.65
140	RB201-63220	HOSE HYDRAULIC	1				0.85	1.87
150	RB201-63230	HOSE HYDRAULIC	1				0.9	1.98
160	RB201-63240	HOSE HYDRAULIC	1				0.2	0.44
170	RB101-63250	HOSE HYDRAULIC	1				0.19	0.418
180	RB208-63290	PIPE	1				0.11	0.242
190	32530-38910	JOINT	2				0.018	0.0396
200	RB208-63380	PIPE C/V	1				0.045	0.099
210	RB208-63390	ADAPTER C/V	1				0.138	0.3036

OIL PIPING (OIL RETURN)

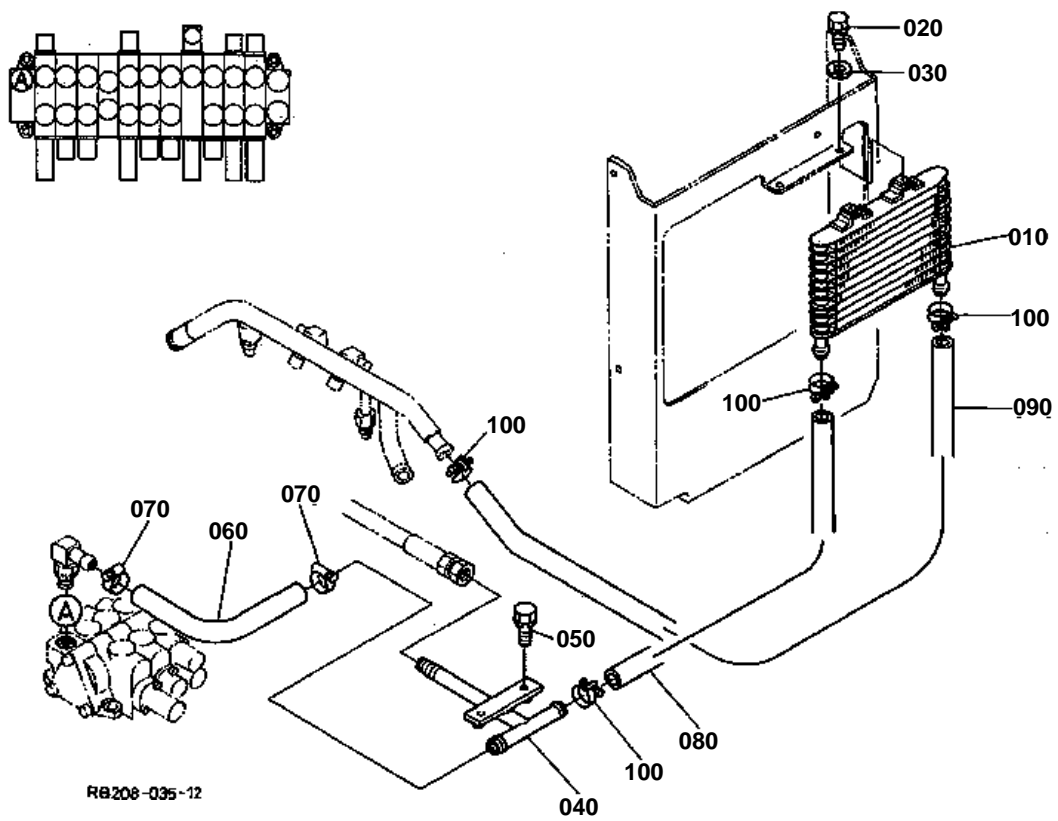


**OIL PIPING (OIL RETURN)**

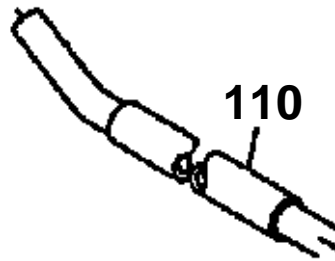
↔ Interchangeable; ≠ not interchangeable; ← new for old; → old for new

REF.No	Part No.	Description	Q'ty	S.No.	I/C	REMARKS	Weight (kgf)	Weight (lb)
010	04810-00140	O RING	1				0	0
020	68051-64130	ADAPTER	1				0.05	0.11
030	RB101-63360	JOINT PIPE(LT/-)	1				0.044	0.0968
040	RB101-63823	JOINT PIPE(LT/-)	1				0.035	0.077
050	RB208-63580	HOSE HYDRAULIC	1				0.17	0.374
055	RB208-63580	HOSE HYDRAULIC	1	<=11103			0.17	0.374
055	RB208-63590	HOSE HYDRAULIC	1	>=11104	←		0.16	0.352
060	RB208-63320	PIPE RETURN	1				0.5	1.1
070	RB101-63340	HOSE RETURN	1				0.19	0.418
080	68311-72820	CLAMP HOSE	2				0.03	0.066
090	RB101-63350	HOSE	1				0.18	0.396
100	68311-72820	CLAMP HOSE	2	<=11032			0.03	0.066
100	RB401-63380	CLAMP HOSE	2	>=11033	↔		0.02	0.044
110	RB101-63610	HOSE	1				0.1	0.22
120	68651-63440	TUBE	1				0.08	0.176
130	RB101-63630	CLAMP HOSE	2				0.015	0.033
140	RB101-64530	HOSE	1				0.11	0.242
150	68311-72810	CLAMP HOSE	2				0.02	0.044
160	68728-76150	ADAPTER	2	<=11103			0.02	0.044
160	68728-76150	ADAPTER	1	>=11104			0.02	0.044
170	04811-00110	O RING	2				0	0
180	RB208-61770	JOINT PIPE(SF-F)	1	>=11104			0.08	0.176

OIL PIPING (OIL COOLER)



110 68721-6438-0



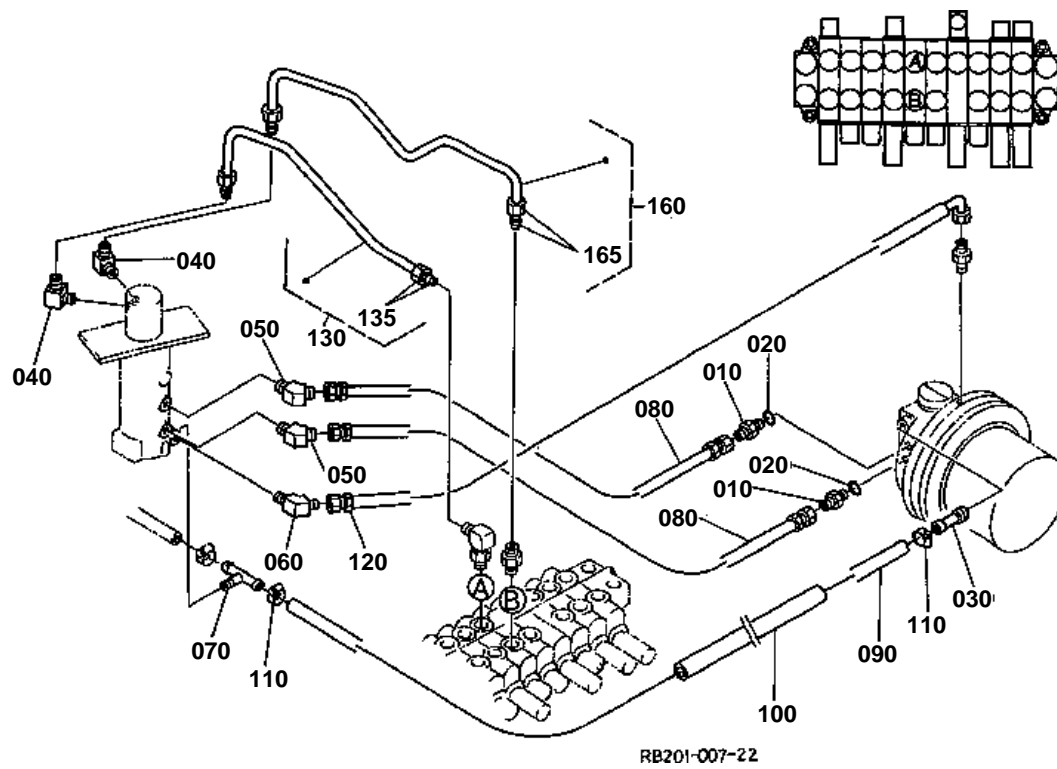
RB208-803-10

**OIL PIPING (OIL COOLER)**

↔ Interchangeable; ≠ not interchangeable; ← new for old; → old for new

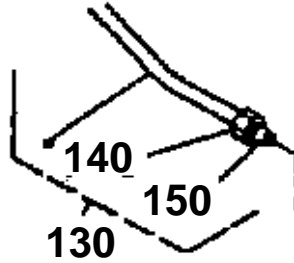
REF.No	Part No.	Description	Q'ty	S.No.	I/C	REMARKS	Weight (kgf)	Weight (lb)
010	68301-64110	COOLER OIL	1				1	2.2
020	01023-60614	BOLT	3				0.005	0.011
030	04013-60060	WASHER PLAIN	3				0.001	0.0022
040	RB101-92510	T JOINT PIPE SP RET.	1				0.315	0.693
050	01133-61020	BOLT	2				0.02	0.044
060	RB201-92520	HOSE	1				0.04	0.088
070	68311-72810	CLAMP HOSE	2				0.02	0.044
080	RD201-63660	HOSE	1				0.3	0.66
090	RD201-63660	HOSE	1	≤11363			0.3	0.66
090	RC101-63660	HOSE	1	≥11364	≠		0.22	0.484
100	09318-89024	CLAMP HOSE	4				0.02	0.044
110	68721-64380	TUBE PROTECTOR	1	≥11038		KTC KCL	0.03	0.066
110	68721-64380	TUBE PROTECTOR	1	≤11363		KTC KCL	0.03	0.066

OIL PIPING (TRAVEL LH)



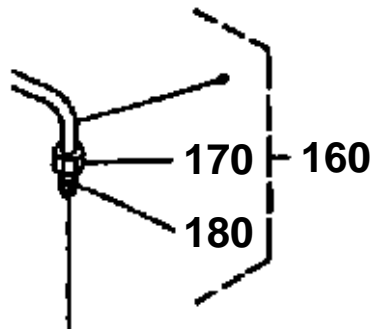
140 68221-6834-0

150 68221-6835-0



170 68221-6834-0

180 68221-6835-0



FB208-805-10

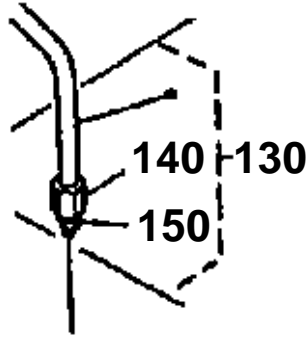
**OIL PIPING (TRAVEL LH)**

↔ Interchangeable; ≠ not interchangeable; ← new for old; → old for new

REF.No	Part No.	Description	Q'ty	S.No.	I/C	REMARKS	Weight (kgf)	Weight (lb)
010	RB101-63950	JOINT PIPE(G-G)	2				0.04	0.088
020	04810-00110	O RING	2				0	0
030	68311-61890	JOINT PIPE(ST/-)	1				0.02	0.044
040	68221-68330	BODY	2	<=11845			0	0
040	06014-71021	JOINT	2	>=11846	↔		0.05	0.11
040	06014-51022	JOINT	2	>=11870	↔		0.031	0.0682
050	68499-83720	ADAPTER	2				0.06	0.132
060	68171-76440	ADAPTER	1				0.03	0.066
070	RB101-63850	JOINT PIPE(TT/-)	1				0.038	0.0836
080	RB101-64450	HOSE HYDRAULIC	2				0.38	0.836
090	RB101-64480	HOSE	1				0.2	0.44
100	RB101-64490	TUBE	1				0.08	0.176
110	RB101-63630	CLAMP HOSE	2				0.015	0.033
120	RB101-64470	HOSE HYDRAULIC	1				0.17	0.374
130	RB101-64910	PIPE HYDRAULIC	1				0.16	0.352
135	06020-31002	JOINT PIPE	2	>=11846			0.019	0.0418
140	68221-68340	NUT	2	<=11845			0.018	0.0396
150	68221-68350	SLEEVE	2	<=11845			0.001	0.0022
160	RB101-64920	PIPE HYDRAULIC	1				0.19	0.418
165	06020-31002	JOINT PIPE	2	>=11846			0.019	0.0418
170	68221-68340	NUT	2	<=11845			0.018	0.0396
180	68221-68350	SLEEVE	2	<=11845			0.001	0.0022

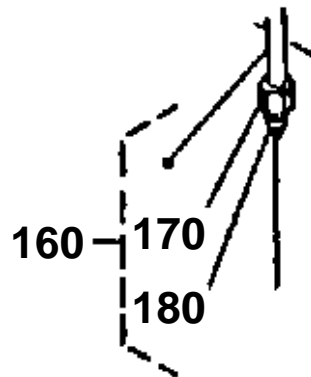
140 68221-6834-0

150 68221-6835-0



170 68221-6834-0

180 68221-6835-0

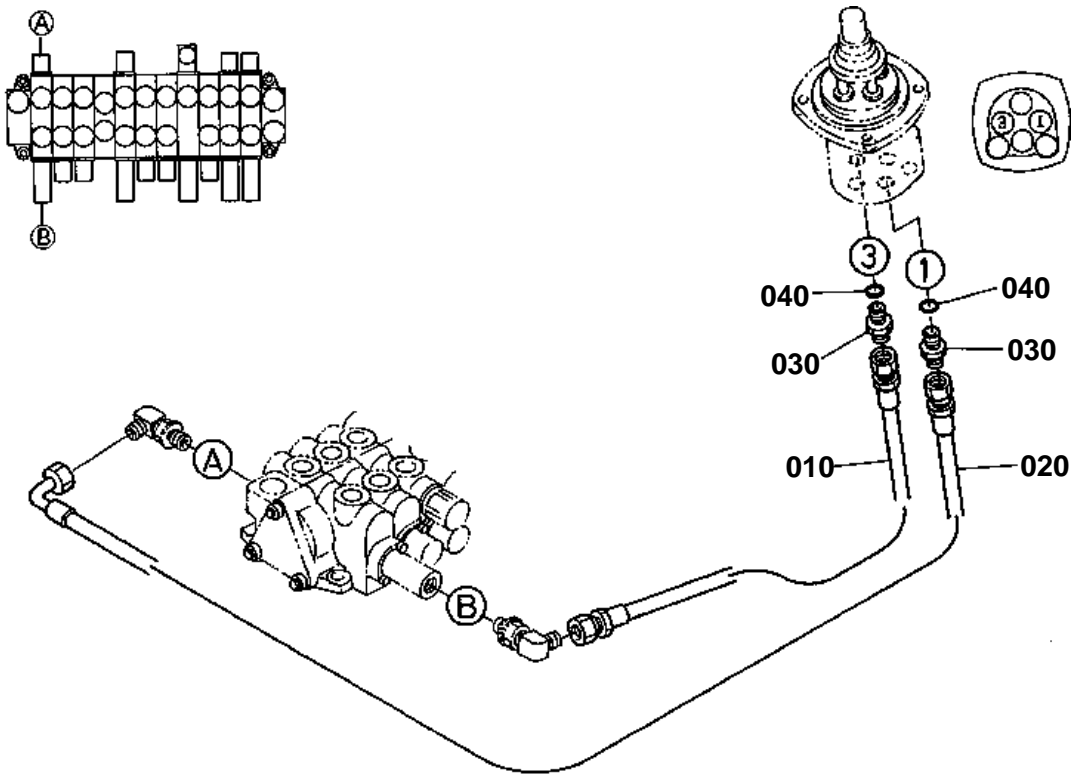


RB20B-806-10

**OIL PIPING (TRAVEL RH)**

↔ Interchangeable; ≠ not interchangeable; ← new for old; → old for new

REF.No	Part No.	Description	Q'ty	S.No.	I/C	REMARKS	Weight (kgf)	Weight (lb)
010	RB101-63950	JOINT PIPE(G-G)	2				0.04	0.088
020	04810-00110	O RING	2				0	0
030	68311-61890	JOINT PIPE(ST/-)	1				0.02	0.044
040	68221-68330	BODY	2	<=11845			0	0
040	06014-71021	JOINT	2	>=11846	↔		0.05	0.11
040	06014-51022	JOINT	2	>=11870	↔		0.031	0.0682
050	06114-52021	ELBOW ADAPTER	1				0.05	0.11
060	68499-83720	ADAPTER	2				0.06	0.132
070	68171-76440	ADAPTER	1				0.03	0.066
080	RB101-64450	HOSE HYDRAULIC	2				0.38	0.836
090	RB101-64480	HOSE	1				0.2	0.44
100	RB101-64490	TUBE	1				0.08	0.176
110	RB101-63630	CLAMP HOSE	2				0.015	0.033
120	RB101-64470	HOSE HYDRAULIC	1				0.17	0.374
130	RB101-64930	PIPE HYDRAULIC	1				0.18	0.396
135	06020-31002	JOINT PIPE	2	>=11846			0.019	0.0418
140	68221-68340	NUT	2	<=11845			0.018	0.0396
150	68221-68350	SLEEVE	2	<=11845			0.001	0.0022
160	RB101-64940	PIPE HYDRAULIC	1				0.16	0.352
165	06020-31002	JOINT PIPE	2	>=11846			0.019	0.0418
170	68221-68340	NUT	2	<=11845			0.018	0.0396
180	68221-68350	SLEEVE	2	<=11845			0.001	0.0022
190	RB101-63510	HOSE HYDRAULIC	1				0.18	0.396



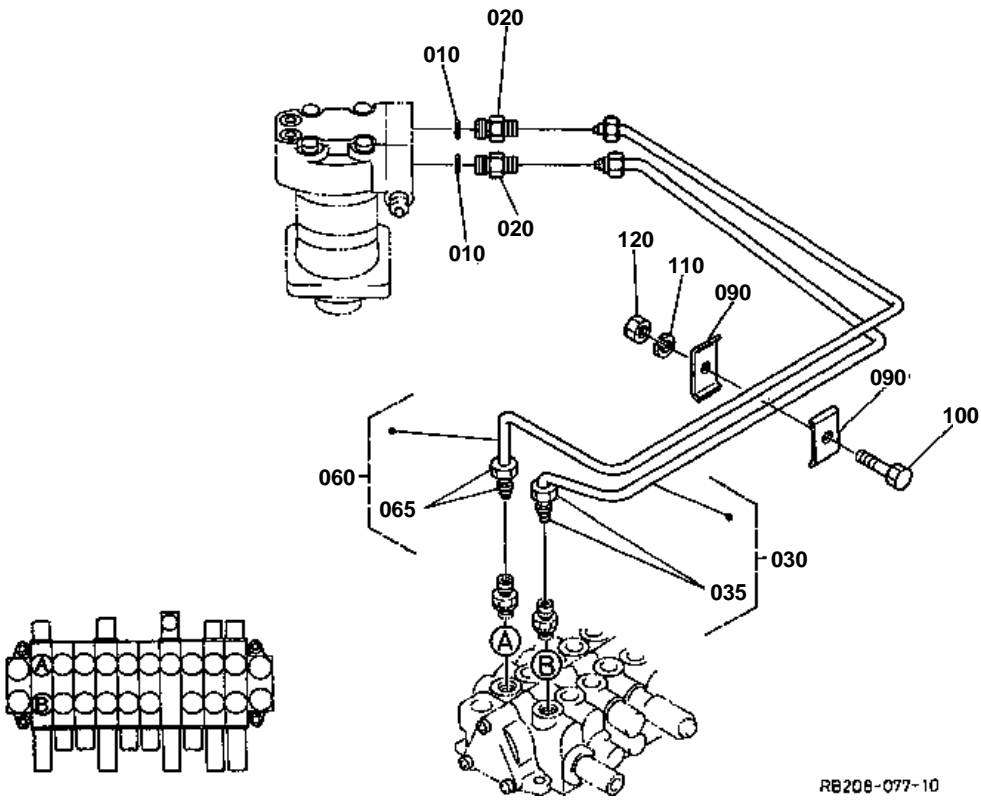
RB208-036-11



OIL PIPING (SWIVEL 1)

↔ Interchangeable; ≠ not interchangeable; ← new for old; → old for new

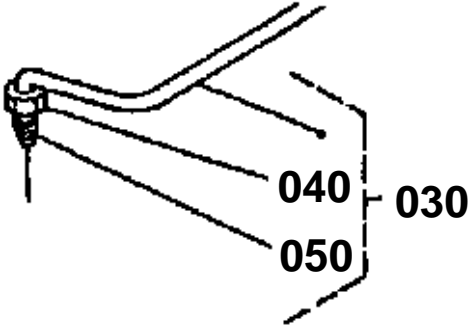
REF.No	Part No.	Description	Q'ty	S.No.	I/C	REMARKS	Weight (kgf)	Weight (lb)
010	RB208-63840	HOSE HYDRAULIC	1				0.2	0.44
020	RB208-63850	HOSE HYDRAULIC	1	≤11190			0	0
020	RB208-63852	HOSE HYDRAULIC	1	≥11191	←		0.28	0.616
030	68728-76150	ADAPTER	2				0.02	0.044
040	04811-00110	O RING	2				0	0



RB208-077-10

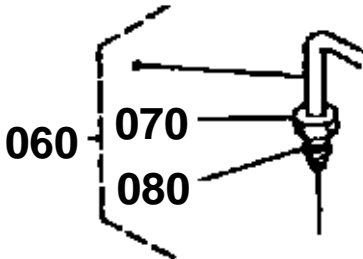
040 68221-6834-0

050 68221-6835-0



070 68221-6834-0

080 68221-6835-0

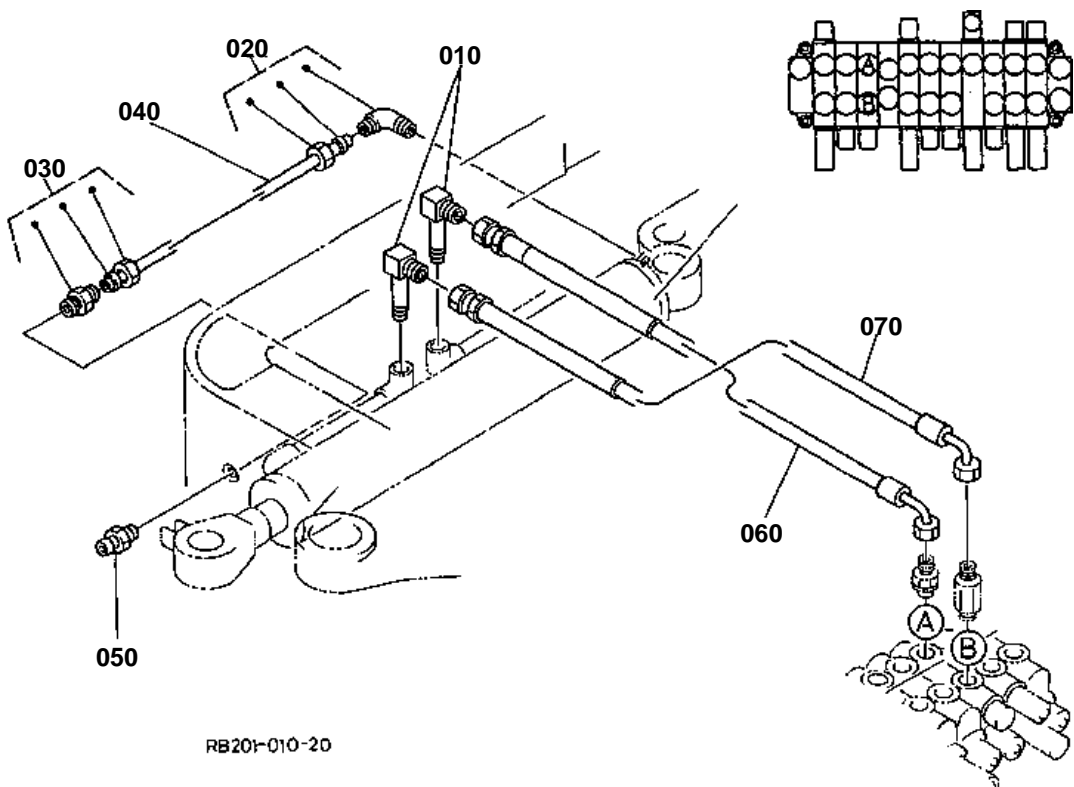


RB208-807-10

**OIL PIPING (SWIVEL 2)**

↔ Interchangeable; ≠ not interchangeable; ← new for old; → old for new

REF.No	Part No.	Description	Q'ty	S.No.	I/C	REMARKS	Weight (kgf)	Weight (lb)
010	04810-00140	O RING	2				0	0
020	06012-71031	BODY	2				0	0
030	RB201-64550	PIPE HYDRAULIC	1				0.33	0.726
035	06020-31002	JOINT PIPE	2	>=11846			0.019	0.0418
040	68221-68340	NUT	2	<=11845			0.018	0.0396
050	68221-68350	SLEEVE	2	<=11845			0.001	0.0022
060	RB201-64560	PIPE HYDRAULIC	1				0	0
065	06020-31002	JOINT PIPE	2	>=11846			0.019	0.0418
070	68221-68340	NUT	2	<=11845			0.018	0.0396
080	68221-68350	SLEEVE	2	<=11845			0.001	0.0022
090	RB101-63740	CLAMP	2				0	0
100	01173-61030	BOLT	1				0.022	0.0484
110	04512-60100	WASHER SPRING	1				0.002	0.0044
120	02118-60100	NUT	1				0.006	0.0132



RB201-010-20

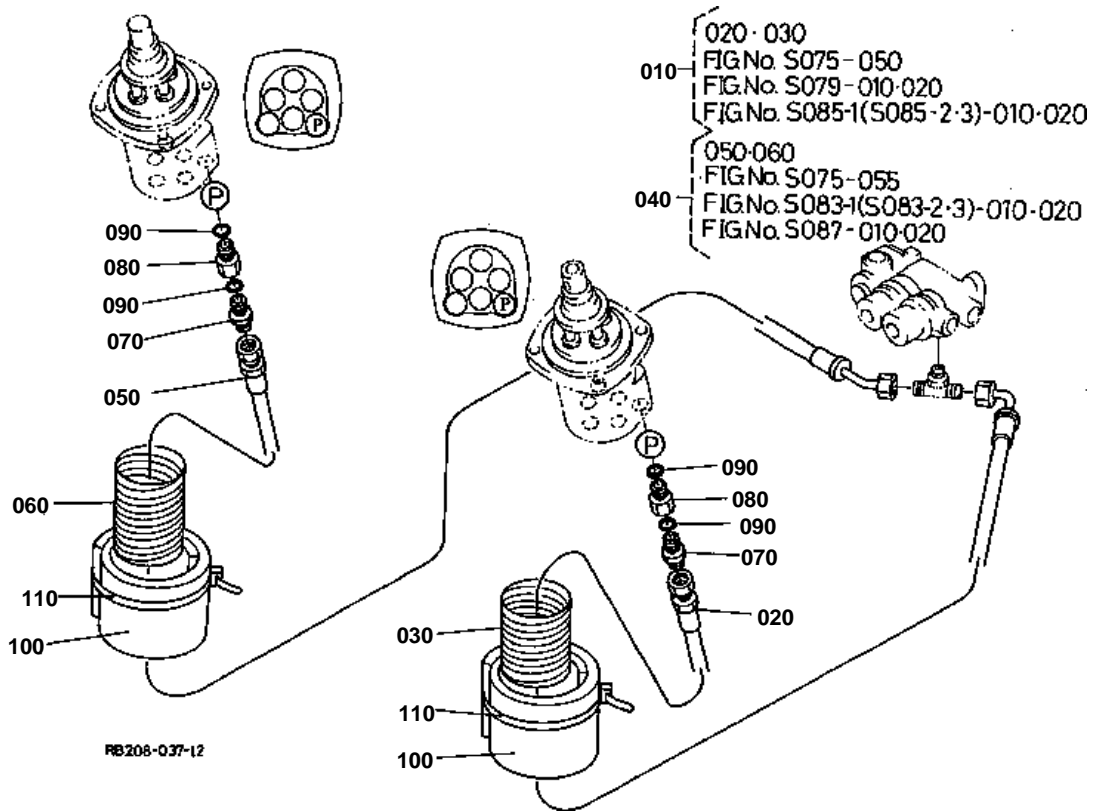


OIL PIPING (SWING)

↔ Interchangeable; ≠ not interchangeable; ← new for old; → old for new

REF.No	Part No.	Description	Q'ty	S.No.	I/C	REMARKS	Weight (kgf)	Weight (lb)
010	68311-68480	JOINT PIPE(LT/F)	2				0.09	0.198
020	68721-67390	CONNECTOR	1				0.035	0.077
030	68721-67480	CONNECTOR	1				0.02	0.044
040	RB101-67470	TUBE GREASE	1				0.025	0.055
050	06611-15010	NIPPLE GREASE	1				0.01	0.022
060	RB101-64610	HOSE HYDRAULIC	1				0.21	0.462
070	RB101-64620	HOSE HYDRAULIC	1				0.28	0.616

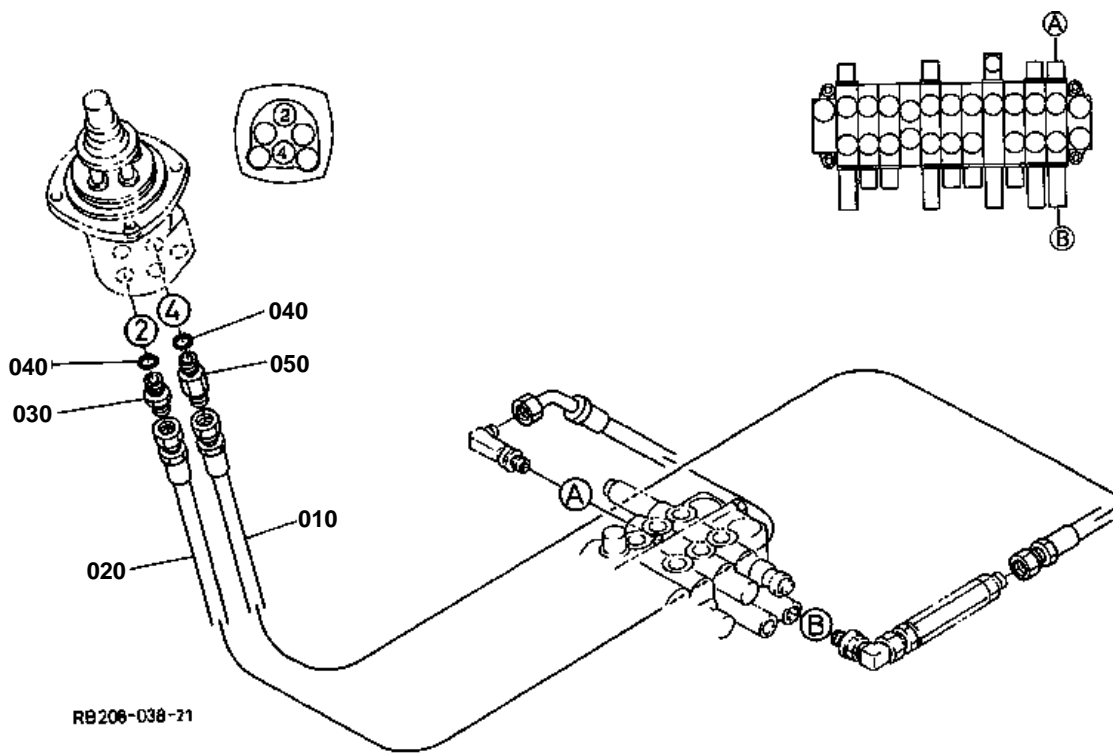
OIL PIPING (LOOK)



**OIL PIPING (LOOK)**

↔ Interchangeable; ≠ not interchangeable; ← new for old; → old for new

REF.No	Part No.	Description	Q'ty	S.No.	I/C	REMARKS	Weight (kgf)	Weight (lb)
010	RB208-63802	ASSY HOSE PILOT LH	1			KTA	0	0
010	RB208-63600	ASSY HOSE PILOT LH	1	≤11363		KTC KCL	0	0
010	RB208-64400	ASSY HOSE TPSS LH	1	≥11364	≠	KTC KCL	1.58	3.476
020	RB208-63260	HOSE HYDRAULIC	1				0.18	0.396
030	RB208-63780	TUBE SPIRAL	1				0.05	0.11
040	RB208-63502	ASSY HOSE PILOT RH	1			KTA	0	0
040	RB208-63700	ASSY HOSE PILOT RH	1	≤11363		KTC KCL	0	0
040	RB208-64500	ASSY HOSE TPSS RH	1	≥11364	≠	KTC KCL	1.58	3.476
050	RB208-63270	HOSE HYDRAULIC	1				0.18	0.396
060	RB208-63780	TUBE SPIRAL	1				0.05	0.11
070	68728-76150	ADAPTER	2				0.02	0.044
080	68499-83740	FILTER	2				0.04	0.088
090	04811-00110	O RING	14				0	0
100	RC101-44880	SPONGE SEAL	2				0.019	0.0418
110	55311-41260	BAND CORD	2				0.007	0.0154



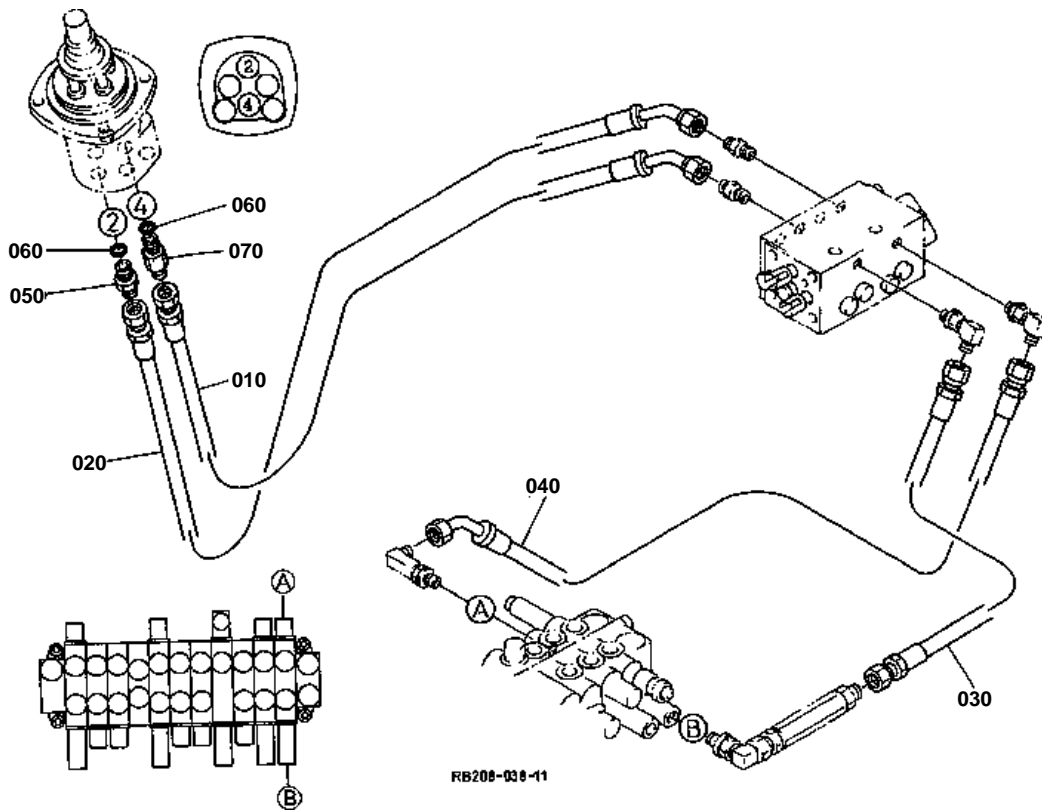


OIL PIPING (BOOM 1)

↔ Interchangeable; ≠ not interchangeable; ← new for old; → old for new

REF.No	Part No.	Description	Q'ty	S.No.	I/C	REMARKS	Weight (kgf)	Weight (lb)
010	RB208-63822	HOSE HYDRAULIC	1	≤11103			0.22	0.484
010	RB208-63822	HOSE HYDRAULIC	1	≥11104	←		0.22	0.484
020	RB208-63830	HOSE HYDRAULIC	1				0.21	0.462
030	68728-76150	ADAPTER	2	≤11103			0.02	0.044
030	68728-76150	ADAPTER	1	≥11104			0.02	0.044
040	04811-00110	O RING	2				0	0
050	RB208-61770	JOINT PIPE(SF-F)	1	≥11104			0.08	0.176

OIL PIPING (BOOM 1)



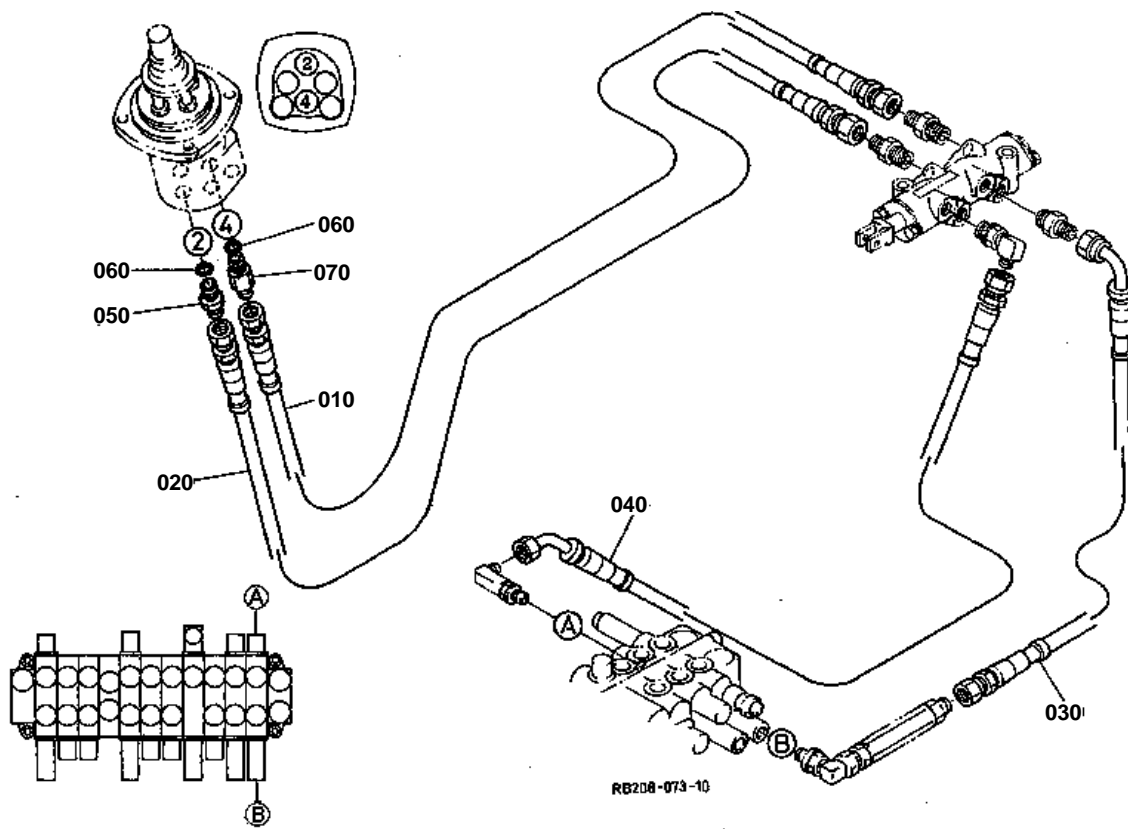


OIL PIPING (BOOM 1)
S.NO.A:<=11363

↔ Interchangeable; ≠ not interchangeable; ← new for old; → old for new

REF.No	Part No.	Description	Q'ty	S.No.	I/C	REMARKS	Weight (kgf)	Weight (lb)
010	RB208-63710	HOSE HYDRAULIC	1	<=11103			0	0
010	RB208-63712	HOSE HYDRAULIC	1	>=11104	←		0.16	0.352
020	RB208-63720	HOSE HYDRAULIC	1				0.2	0.44
030	RB208-96330	HOSE HYDRAULIC	1				0.12	0.264
040	RB208-96340	HOSE HYDRAULIC	1				0.14	0.308
050	68728-76150	ADAPTER	2	<=11103			0.02	0.044
050	68728-76150	ADAPTER	1	>=11104			0.02	0.044
060	04811-00110	O RING	2				0	0
070	RB208-61770	JOINT PIPE(SF-F)	1	>=11104			0.08	0.176

OIL PIPING (BOOM 1)

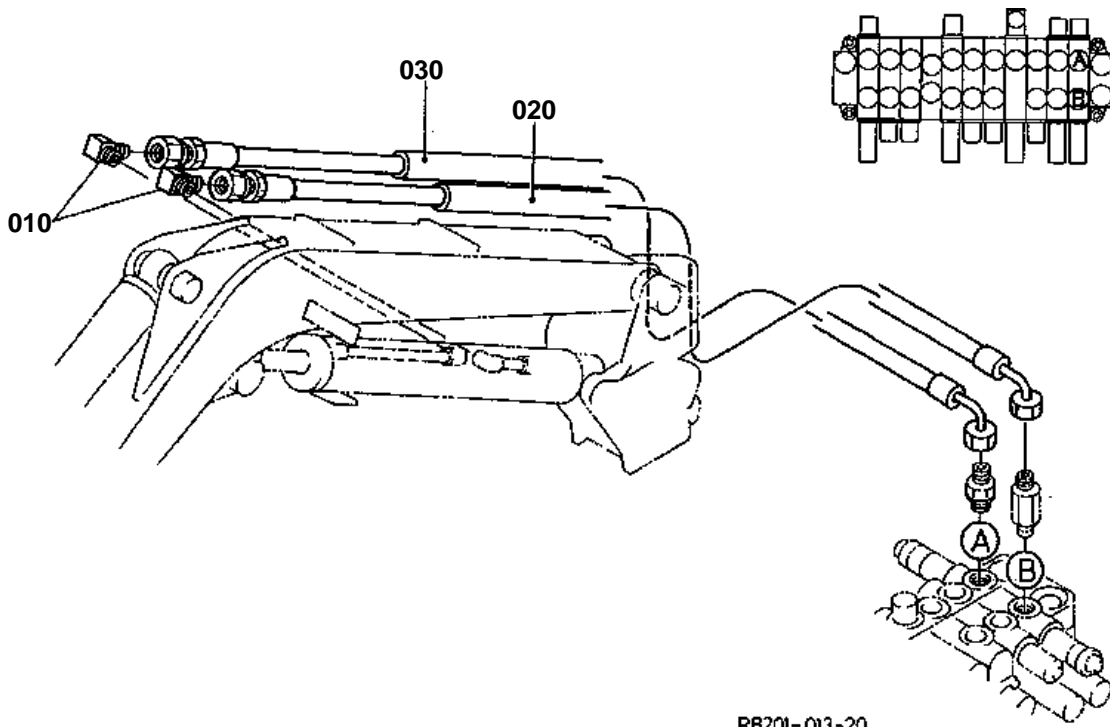




OIL PIPING (BOOM 1)
S.NO.A:>=11364

↔ Interchangeable; ≠ not interchangeable; ← new for old; → old for new

REF.No	Part No.	Description	Q'ty	S.No.	I/C	REMARKS	Weight (kgf)	Weight (lb)
010	RB208-64510	HOSE HYDRAULIC	1				0.18	0.396
020	RB208-64520	HOSE HYDRAULIC	1				0.19	0.418
030	RB208-64620	HOSE HYDRAULIC	1				0.13	0.286
040	RB208-64630	HOSE HYDRAULIC	1				0.13	0.286
050	68728-76150	ADAPTER	1				0.02	0.044
060	04811-00110	O RING	2				0	0
070	RB208-61770	JOINT PIPE(SF-F)	1				0.08	0.176



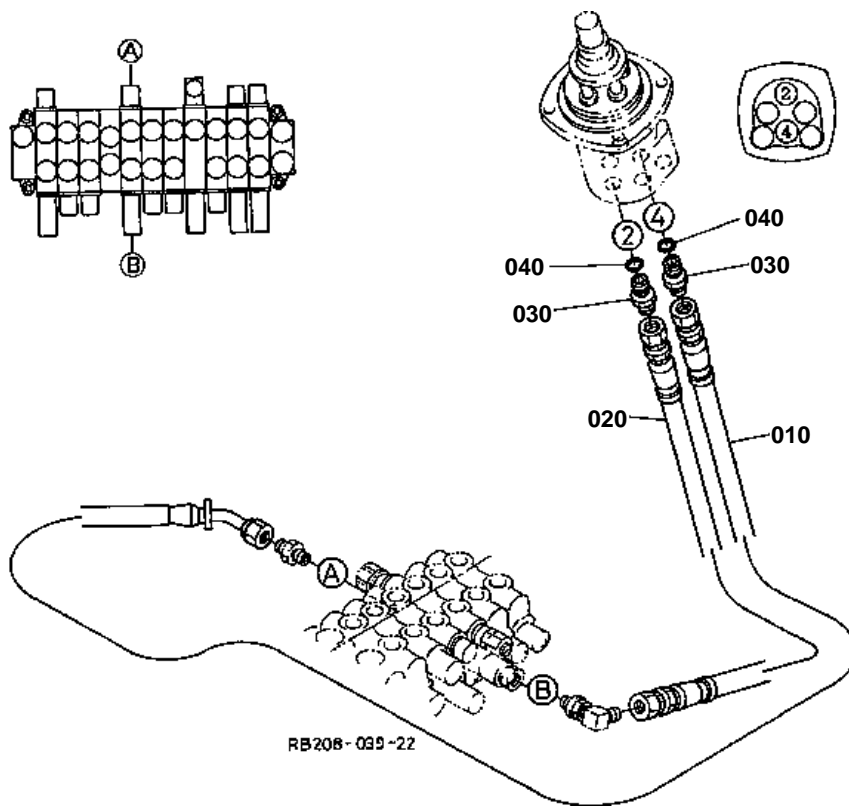
RB201-013-20



OIL PIPING (BOOM 2)

↔ Interchangeable; ≠ not interchangeable; ← new for old; → old for new

REF.No	Part No.	Description	Q'ty	S.No.	I/C	REMARKS	Weight (kgf)	Weight (lb)
010	68331-63230	JOINT	2	<=11845			0	0
010	06114-52021	ELBOW ADAPTER	2	>=11846	↔		0.05	0.11
020	RB101-64110	HOSE HYDRAULIC	1				0.6	1.32
030	RB101-64120	HOSE HYDRAULIC	1				0.36	0.792



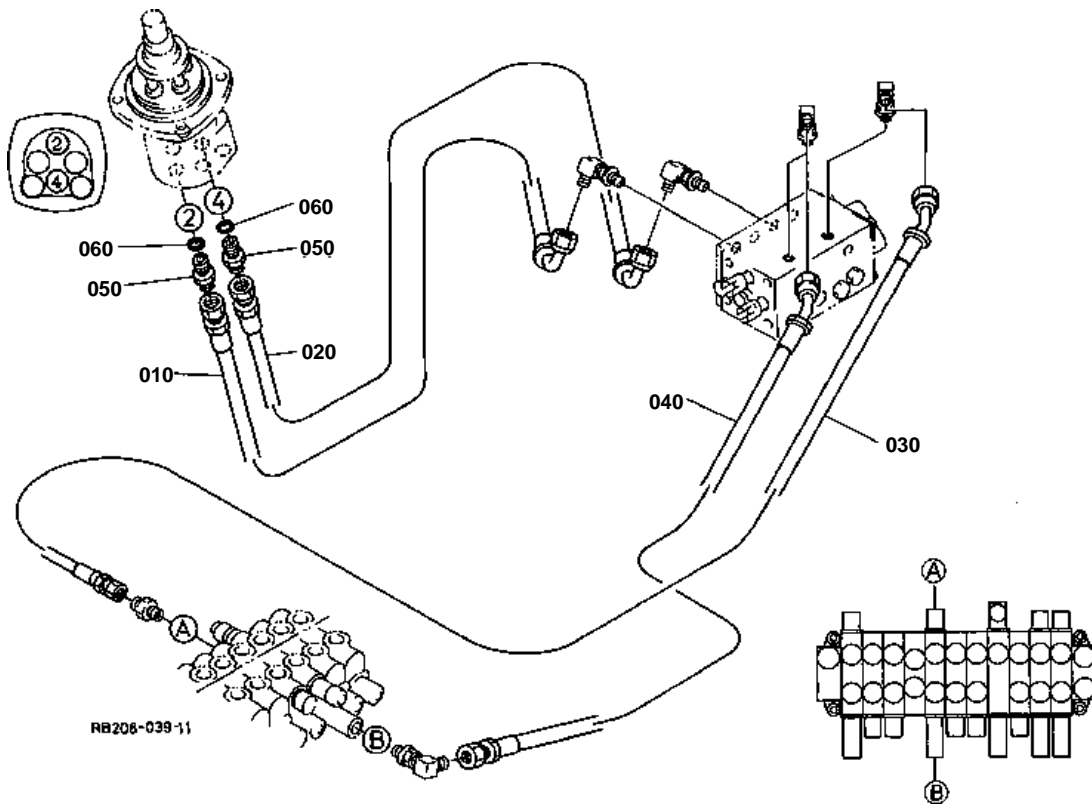


OIL PIPING (ARM 1)

↔ Interchangeable; ≠ not interchangeable; ← new for old; → old for new

REF.No	Part No.	Description	Q'ty	S.No.	I/C	REMARKS	Weight (kgf)	Weight (lb)
010	RB208-63940	HOSE HYDRAULIC	1				0.27	0.594
020	RB208-63950	HOSE HYDRAULIC	1				0.2	0.44
030	68728-76150	ADAPTER	2				0.02	0.044
040	04811-00110	O RING	2				0	0

OIL PIPING (ARM 1)



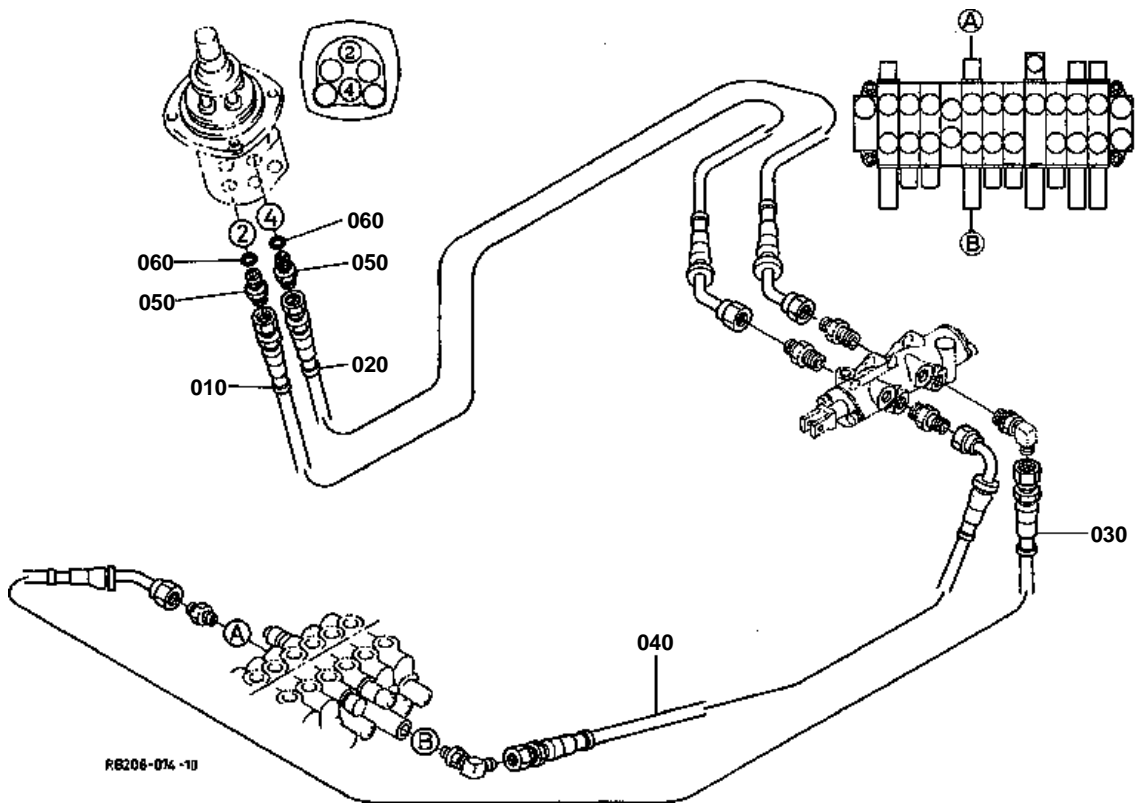


OIL PIPING (ARM 1)
S.NO.A:<=11363

↔ Interchangeable; ≠ not interchangeable; ← new for old; → old for new

REF.No	Part No.	Description	Q'ty	S.No.	I/C	REMARKS	Weight (kgf)	Weight (lb)
010	RB208-63610	HOSE HYDRAULIC	1				0.18	0.396
020	RB208-63620	HOSE HYDRAULIC	1				0.18	0.396
030	RB208-96312	HOSE HYDRAULIC	1	<=11190			0.25	0.55
030	RB208-96312	HOSE HYDRAULIC	1	>=11191	←		0.25	0.55
040	RB208-96320	HOSE HYDRAULIC	1				0.15	0.33
050	68728-76150	ADAPTER	2				0.02	0.044
060	04811-00110	O RING	2				0	0

OIL PIPING (ARM 1)

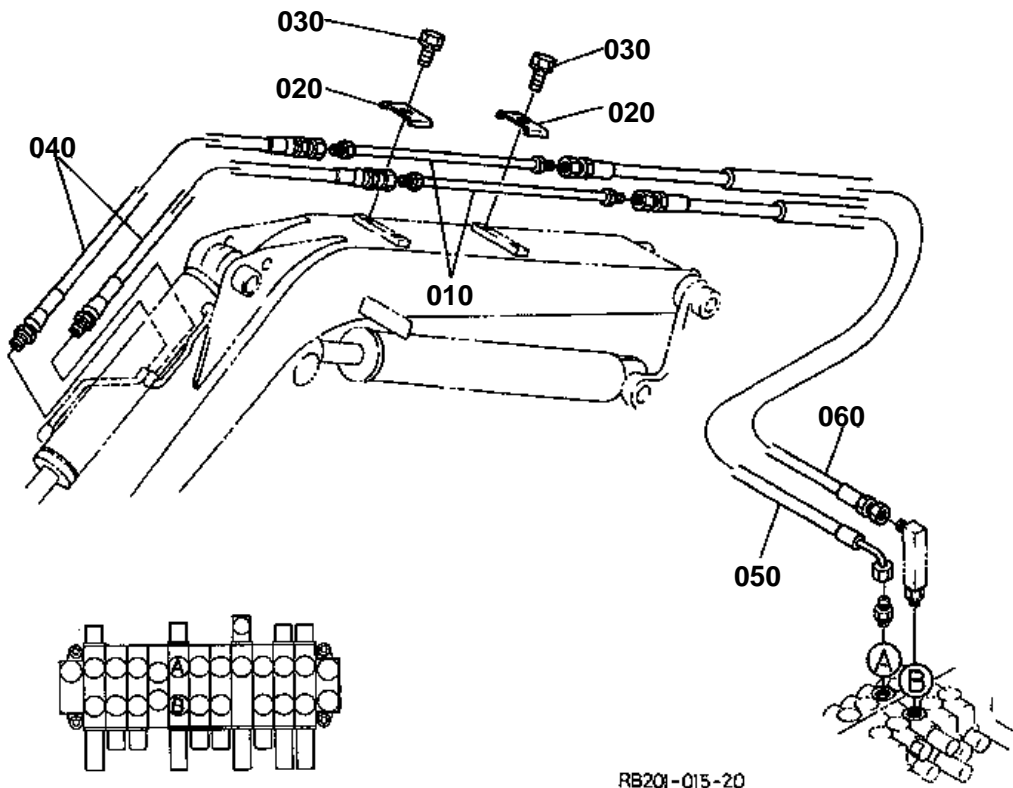




OIL PIPING (ARM 1)
S.NO.A:>=11364

↔ Interchangeable; ≠ not interchangeable; ← new for old; → old for new

REF.No	Part No.	Description	Q'ty	S.No.	I/C	REMARKS	Weight (kgf)	Weight (lb)
010	RB208-64410	HOSE HYDRAULIC	1				0.17	0.374
020	RB208-64420	HOSE HYDRAULIC	1				0.17	0.374
030	RB208-96312	HOSE HYDRAULIC	1				0.25	0.55
040	RB208-64610	HOSE HYDRAULIC	1				0.14	0.308
050	68728-76150	ADAPTER	2				0.02	0.044
060	04811-00110	O RING	2				0	0



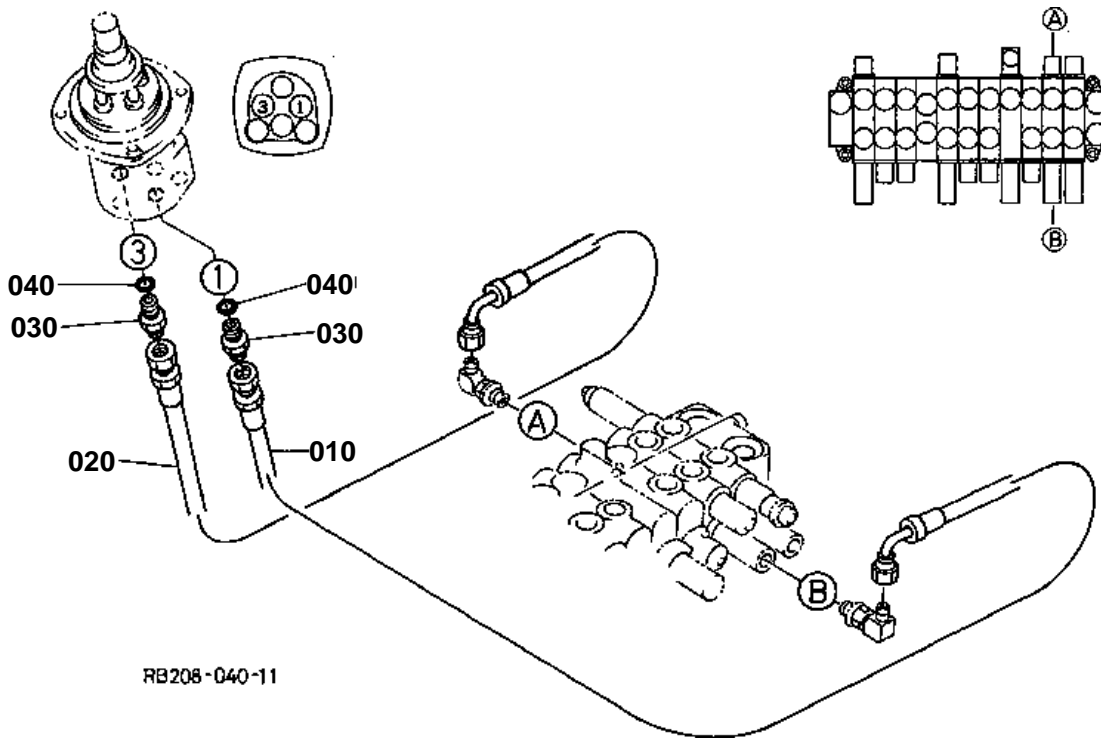
RB201-015-20



OIL PIPING (ARM 2)

↔ Interchangeable; ≠ not interchangeable; ← new for old; → old for new

REF.No	Part No.	Description	Q'ty	S.No.	I/C	REMARKS	Weight (kgf)	Weight (lb)
010	RB108-68620	PIPE HYDRAULIC	2				0.21	0.462
020	68318-68750	CLAMP	2				0.09	0.198
030	01133-61030	BOLT	2				0.023	0.0506
040	RB101-64250	HOSE HYDRAULIC	2				0.2	0.44
050	RB101-64210	HOSE HYDRAULIC	1				0.35	0.77
060	RB101-64220	HOSE HYDRAULIC	1				0.4	0.88



RB208-040-11

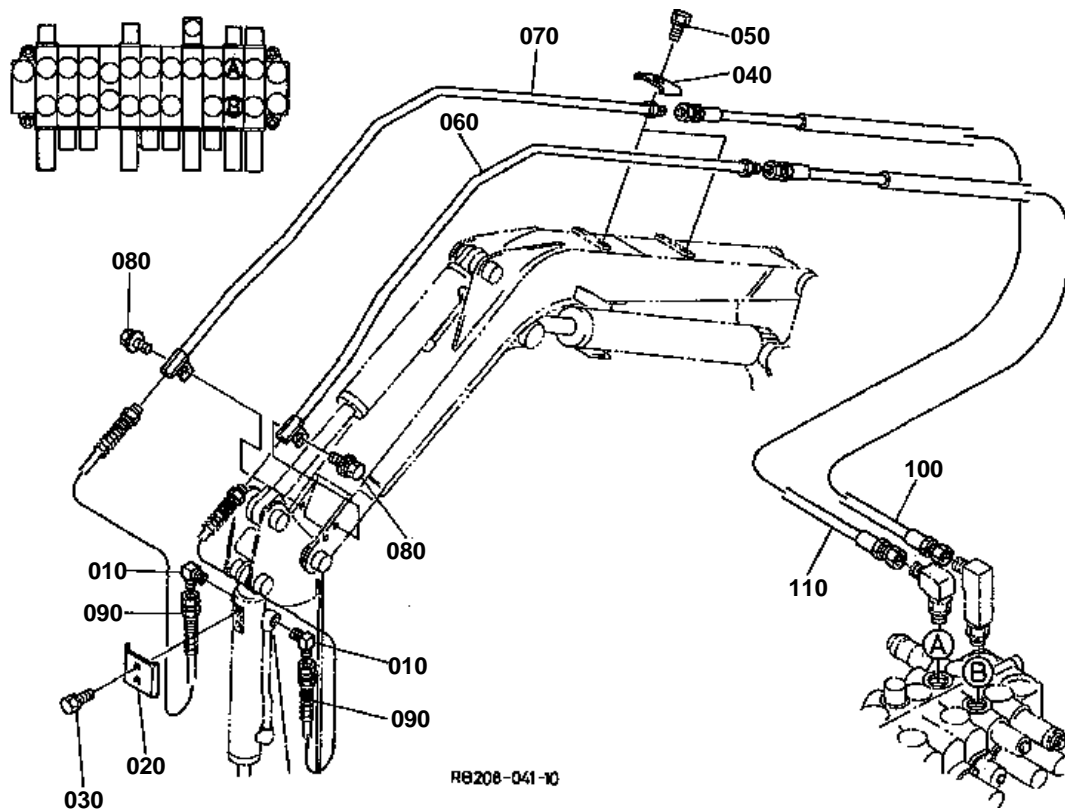


OIL PIPING (BUCKET 1)

↔ Interchangeable; ≠ not interchangeable; ← new for old; → old for new

REF.No	Part No.	Description	Q'ty	S.No.	I/C	REMARKS	Weight (kgf)	Weight (lb)
010	RB208-63470	HOSE HYDRAULIC	1				0.21	0.462
020	RB208-63480	HOSE HYDRAULIC	1				0.2	0.44
030	68728-76150	ADAPTER	2				0.02	0.044
040	04811-00110	O RING	2				0	0

OIL PIPING (BUCKET 2)

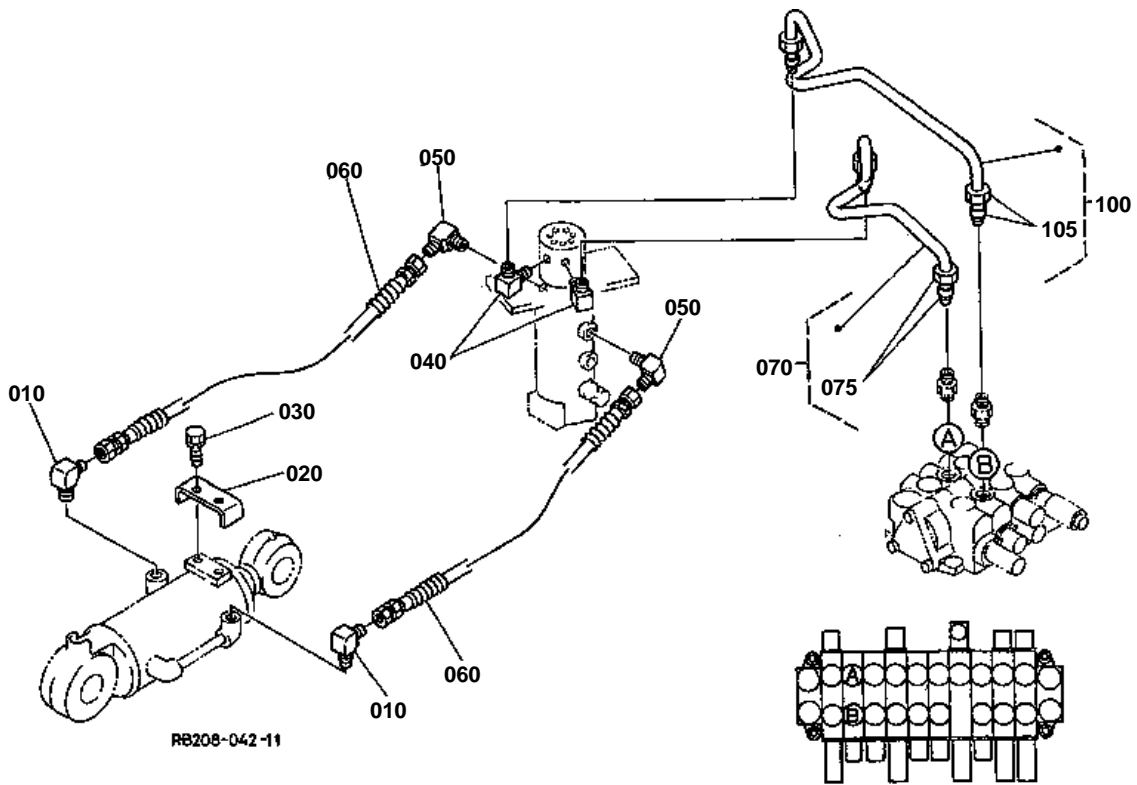


**OIL PIPING (BUCKET 2)**

↔ Interchangeable; ≠ not interchangeable; ← new for old; → old for new

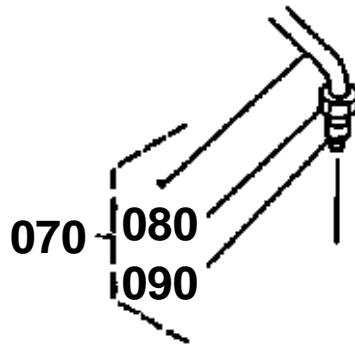
REF.No	Part No.	Description	Q'ty	S.No.	I/C	REMARKS	Weight (kgf)	Weight (lb)
010	68331-63230	ELBOW ADAPTER	2	<=11845			0	0
010	06114-52021	JOINT	2	>=11846	↔		0.05	0.11
020	68198-67832	PROTECTOR	1				0.5	1.1
030	01133-61016	BOLT	2				0.018	0.0396
040	68318-68750	CLAMP	2				0.09	0.198
050	01133-61030	BOLT	2				0.023	0.0506
060	RB108-68810	PIPE HYDRAULIC	1				0.9	1.98
070	RB108-68820	PIPE HYDRAULIC	1				0.8	1.76
080	01135-61025	BOLT	2				0.04	0.088
090	RB201-64350	HOSE HYDRAULIC	2				0.5	1.1
090	90525-11360	HOSE	2	<=11363		LONG ARM	0.38	0.836
090	68191-95130	HOSE	2	>=11364	←	LONG ARM	0.5	1.1
100	RB101-64310	HOSE HYDRAULIC	1				0.4	0.88
110	RB101-64320	HOSE HYDRAULIC	1				0.4	0.88

OIL PIPING (BLADE)



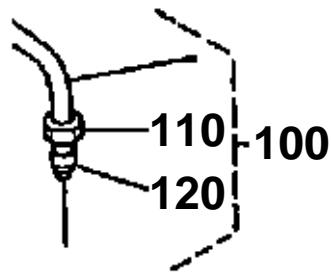
080 68221-6834-0

090 68221-6835-0



110 68221-6834-0

120 68221-6835-0



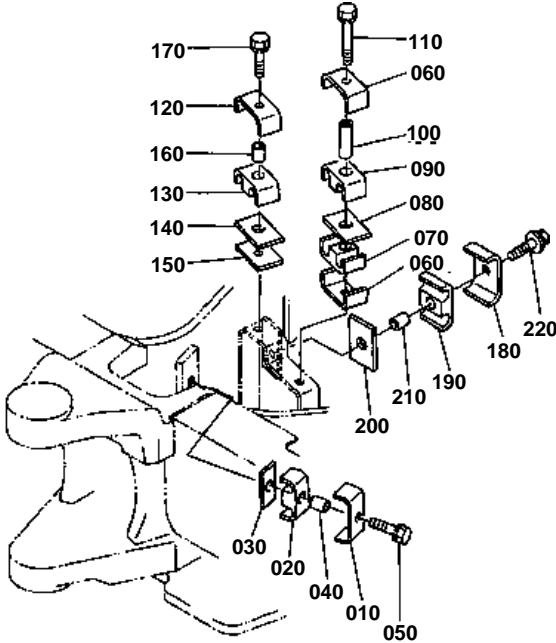
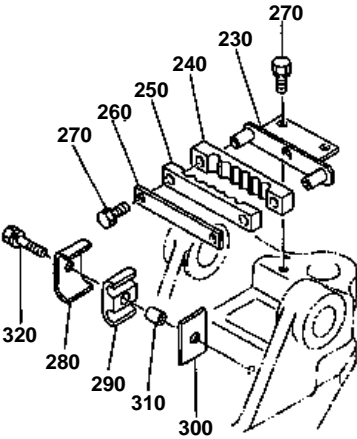
RB208-808-10

**OIL PIPING (BLADE)**

↔ Interchangeable; ≠ not interchangeable; ← new for old; → old for new

REF.No	Part No.	Description	Q'ty	S.No.	I/C	REMARKS	Weight (kgf)	Weight (lb)
010	RB101-64720	JOINT PIPE	2				0.045	0.099
020	RB108-75280	COVER	1				0.1	0.22
030	01133-61016	BOLT	2				0.018	0.0396
040	68221-68330	BODY	2	<=11845			0	0
040	06014-71021	JOINT	2	>=11846	↔		0.05	0.11
040	06014-51022	JOINT	2	>=11870	↔		0.031	0.0682
050	RB101-64720	JOINT PIPE	2				0.045	0.099
060	RB101-64710	HOSE HYDRAULIC	2				0.25	0.55
070	RB208-64750	PIPE HYDRAULIC	1				0	0
075	06020-31002	JOINT PIPE	2	>=11846			0.019	0.0418
080	68221-68340	NUT	2	<=11845			0.018	0.0396
090	68221-68350	SLEEVE	2	<=11845			0.001	0.0022
100	RB208-64760	PIPE HYDRAULIC	1				0	0
105	06020-31002	JOINT PIPE	2	>=11846			0.019	0.0418
110	68221-68340	NUT	2	<=11845			0.018	0.0396
120	68221-68350	SLEEVE	2	<=11845			0.001	0.0022

OIL PIPING (CLAMP)

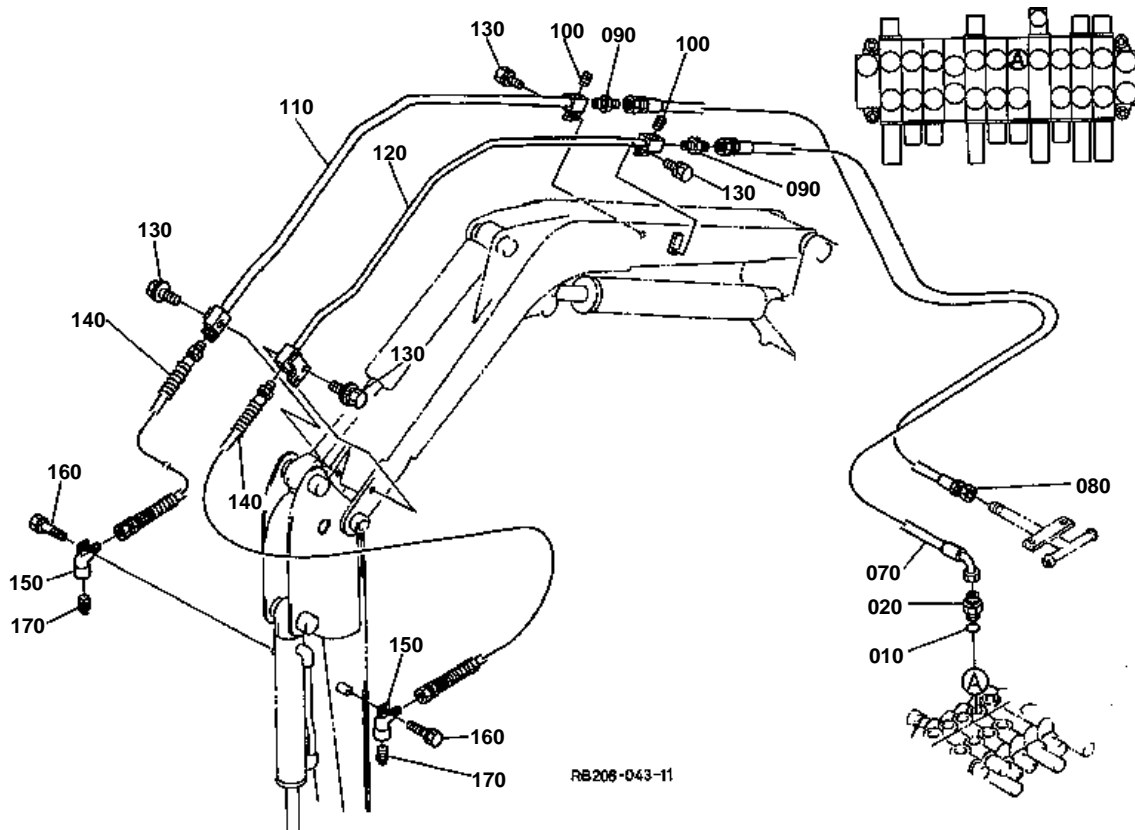


R6208-066-11

**OIL PIPING (CLAMP)**

↔ Interchangeable; ≠ not interchangeable; ← new for old; → old for new

REF.No	Part No.	Description	Q'ty	S.No.	I/C	REMARKS	Weight (kgf)	Weight (lb)
010	68311-68130	CLAMP	1				0.11	0.242
020	68191-68140	CUSHION	1				0.04	0.088
030	68311-68790	CUSHION	1				0.03	0.066
040	RC101-68780	COLLAR	1				0.02	0.044
050	01133-61040	BOLT	1				0.03	0.066
060	68311-68130	CLAMP	2				0.11	0.242
070	68191-68140	CUSHION	1				0.04	0.088
080	68311-68790	CUSHION	1				0.03	0.066
090	68311-68110	CUSHION	1				0.03	0.066
100	68311-68140	COLLAR	1				0.04	0.088
110	01133-61075	BOLT	1				0.048	0.1056
120	68311-68130	CLAMP	1				0.11	0.242
130	68191-68140	CUSHION	1				0.04	0.088
140	68311-68790	CUSHION	1				0.03	0.066
150	RC101-64820	PLATE	1				0.07	0.154
160	RC101-68780	COLLAR	1				0.02	0.044
170	01133-61050	BOLT	1				0.035	0.077
180	68311-68130	CLAMP	1				0.11	0.242
190	68191-68140	CUSHION	1				0.04	0.088
200	68311-68790	CUSHION	1				0.03	0.066
210	RC101-68780	COLLAR	1				0.02	0.044
220	01133-61040	BOLT	1	≤11103			0.03	0.066
220	01135-61045	BOLT	1	≥11104	←		0.038	0.0836
230	RB108-68570	CLAMP	1				0.22	0.484
240	RB101-68520	CUSHION	1				0.06	0.132
250	RB101-68530	CUSHION	1				0.02	0.044
260	RB108-68582	CLAMP	1				0.105	0.231
270	01133-61020	BOLT	4				0.02	0.044
280	68311-68130	CLAMP	1				0.11	0.242
290	68191-68140	CUSHION	1				0.04	0.088
300	68311-68790	CUSHION	1				0.03	0.066
310	RC101-68780	COLLAR	1				0.02	0.044
320	01133-61040	BOLT	1				0.03	0.066



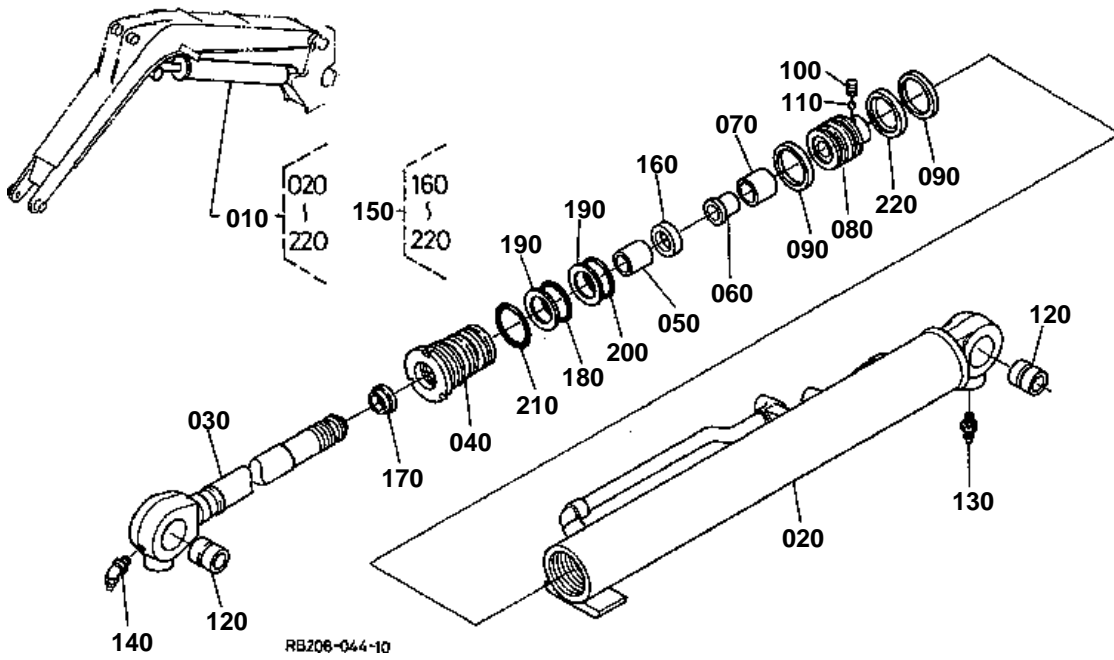
RB208-043-11

**OIL PIPING (S/P)**

↔ Interchangeable; ≠ not interchangeable; ← new for old; → old for new

REF.No	Part No.	Description	Q'ty	S.No.	I/C	REMARKS	Weight (kgf)	Weight (lb)
010	04810-00140	O RING	1				0	0
020	70726-61130	ADAPTER	1				0.055	0.121
030	99999-99999	BLANK	0				0	0
040	99999-99999	BLANK	0				0	0
050	99999-99999	BLANK	0				0	0
060	99999-99999	BLANK	0				0	0
070	RB101-92312	HOSE HYDRAULIC	1				0.85	1.87
080	RB101-92322	HOSE HYDRAULIC	1				0.84	1.848
090	68131-61860	ADAPTER	2				0.1	0.22
100	06312-10040	PLUG	2				0.04	0.088
110	RB108-92430	PIPE HYDRAULIC	1				2.3	5.06
120	RB108-92440	PIPE HYDRAULIC	1				2.5	5.5
130	01135-61020	BOLT	4				0.015	0.033
140	68651-92840	HOSE	2	≤11363			1.2	2.64
140	RC401-64360	HOSE HYDRAULIC	2	≥11364	↔		1	2.2
140	RB208-92480	HOSE HYDRAULIC	2	≤11363		LONG ARM	1.32	2.904
140	RC401-64360	HOSE HYDRAULIC	2	≥11364	≠	LONG ARM	1	2.2
150	68191-92672	JOINT PIPE	2				0.228	0.5016
160	01133-61020	BOLT	2				0.02	0.044
170	06312-10040	PLUG	2				0.04	0.088

BOOM CYLINDER AND COMPONENT PARTS



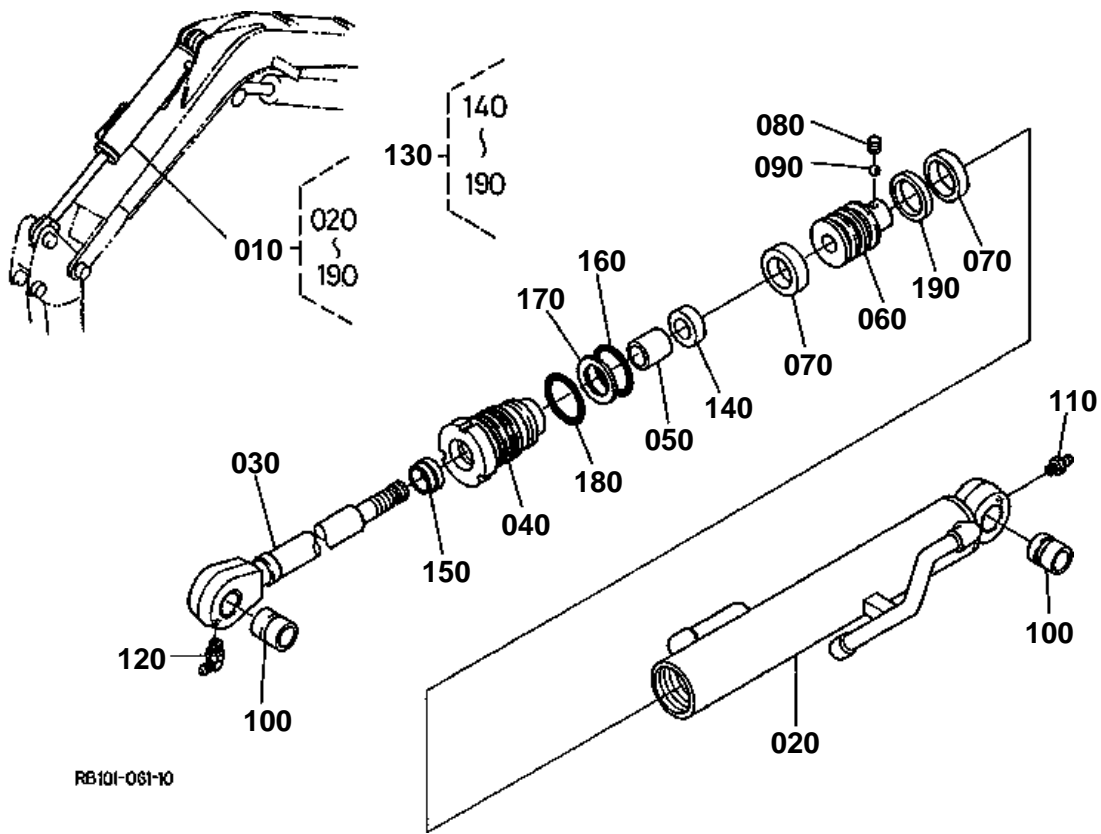


BOOM CYLINDER AND COMPONENT PARTS

↔ Interchangeable; ≠ not interchangeable; ← new for old; → old for new

REF.No	Part No.	Description	Q'ty	S.No.	I/C	REMARKS	Weight (kgf)	Weight (lb)
010	RB208-67700	ASSY CYLINDER BOOM	1				13.8	30.36
020	RB208-71310	COMP.TUBE CYLINDER	1				7.7	16.94
030	RB208-71320	COMP ROD PISTON	1				5	11
040	RB208-71330	CYLINDER HEAD	1				0.86	1.892
050	RB101-71270	BUSH	1				0.03	0.066
060	68191-71380	SPACER	1				0.1	0.22
070	RB201-71340	BEARING CUSHION	1				0.09	0.198
080	68191-71340	PISTON	1				0.48	1.056
090	78620-32280	RING SLIDE	2				0.01	0.022
100	68191-71370	SCREW SET	1				0.005	0.011
110	68701-71650	BALL	1				0.005	0.011
120	68811-93310	BUSH PIN	2				0.132	0.2904
130	06611-15010	NIPPLE GREASE	1				0.01	0.022
140	06616-25010	NIPPLE GREASE	1				0.008	0.0176
150	RB201-91010	KIT SEAL BOOM	1				0.038	0.0836
160	68051-67430	U-RING	1				0.01	0.022
170	RB101-71240	RING WIPER	1				0.01	0.022
180	68811-93370	O RING	1				0.002	0.0044
190	68511-71460	RING BACK UP	2				0.002	0.0044
200	68811-93350	O RING	1				0.002	0.0044
210	04811-50550	O RING	1				0.002	0.0044
220	68511-71490	ASSY RING SEAL	1				0.01	0.022

ARM CYLINDER AND COMPONENT PARTS



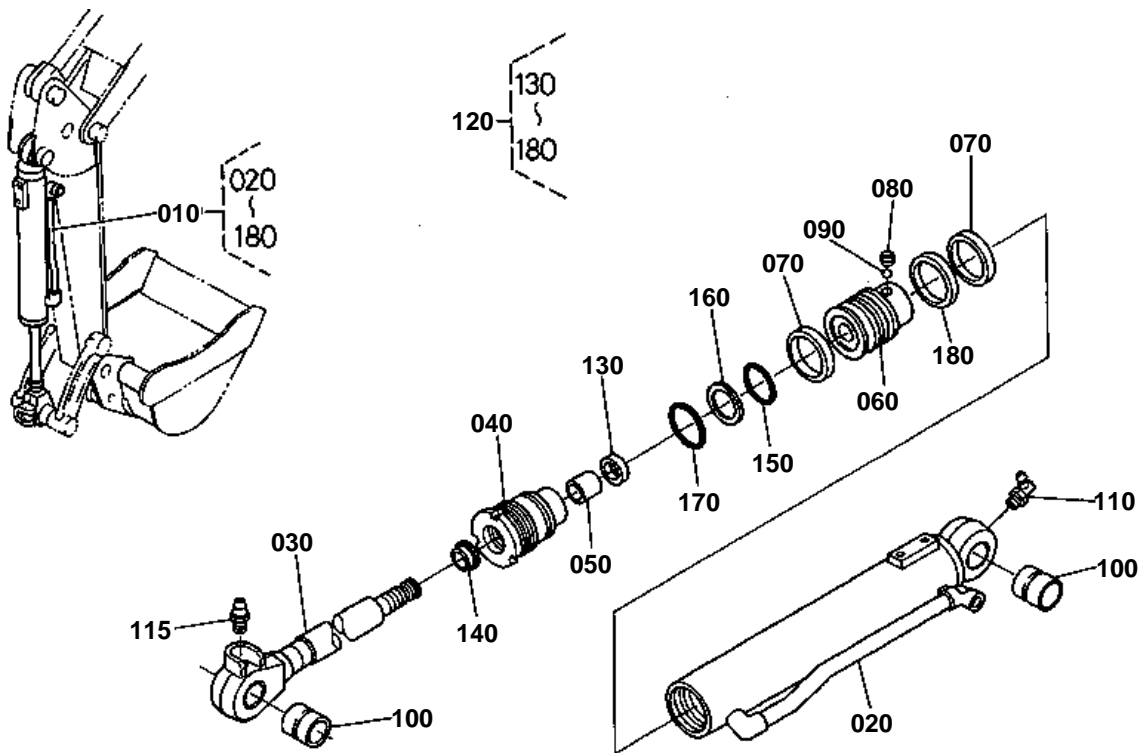


ARM CYLINDER AND COMPONENT PARTS

↔ Interchangeable; ≠ not interchangeable; ← new for old; → old for new

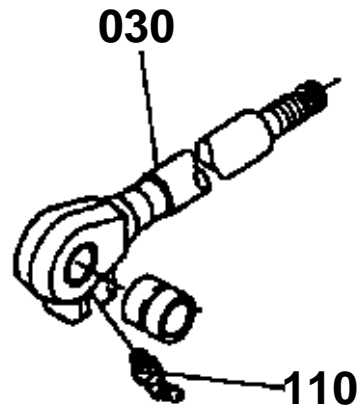
REF.No	Part No.	Description	Q'ty	S.No.	I/C	REMARKS	Weight (kgf)	Weight (lb)
010	RB208-67600	ASSY CYLINDER ARM	1				13.4	29.48
020	RB208-71510	COMP.TUBE CYLINDER	1				6.7	14.74
030	RB208-71520	COMP ROD PISTON	1				5	11
040	RB208-71530	CYLINDER HEAD	1				0.95	2.09
050	RB201-71540	BUSH	1				0.045	0.099
060	RB201-71570	PISTON	1				0.7	1.54
070	RB201-71530	RING SLIDE	2				0.01	0.022
080	68701-71640	SCREW SET	1				0.005	0.011
090	68701-71650	BALL	1				0.005	0.011
100	68811-93310	BUSH PIN	2				0.132	0.2904
110	06611-15010	NIPPLE GREASE	1				0.01	0.022
120	06611-35010	NIPPLE GREASE	1				0	0
130	RB201-91050	KIT SEAL ARM	1				0.042	0.0924
140	68051-75140	U-RING	1				0.01	0.022
150	RB301-71340	RING WIPER	1				0.015	0.033
160	04810-50550	O RING	1				0.002	0.0044
170	68841-93340	RING BACK UP	1				0.001	0.0022
180	04811-50600	O RING	1				0.002	0.0044
190	68811-93680	ASSY RING SEAL	1				0.013	0.0286

BUCKET CYLINDER AND COMPONENT PARTS



RB208-069-10

030 RB108-7172-0
110 06611-35010



RB208-801-10

**BUCKET CYLINDER AND COMPONENT PARTS**

↔ Interchangeable; ≠ not interchangeable; ← new for old; → old for new

REF.No	Part No.	Description	Q'ty	S.No.	I/C	REMARKS	Weight (kgf)	Weight (lb)
010	RB108-67800	ASSY CYLINDER BUCKET	1	<=11244			0	0
010	RB208-67800	ASSY CYLINDER BUCKET	1	>=11245	←		10	22
020	RB108-71710	COMP.TUBE CYLINDER	1				4	8.8
030	RB108-71720	COMP ROD PISTON	1	<=11244			6	13.2
030	RB208-71720	COMP ROD PISTON	1	>=11245	←		0	0
040	RB108-71230	CYLINDER HEAD	1				0.73	1.606
050	RB101-71270	BUSH	1				0.03	0.066
060	68191-71340	PISTON	1				0.48	1.056
070	78620-32280	RING SLIDE	2				0.01	0.022
080	68191-71370	SCREW SET	1				0.005	0.011
090	68701-71650	BALL	1				0.005	0.011
100	68811-93310	BUSH PIN	2				0.132	0.2904
110	06611-35010	NIPPLE GREASE	2	<=11244			0	0
110	06611-35010	NIPPLE GREASE	1	>=11245			0	0
115	06611-15010	NIPPLE GREASE	1	>=11245			0.01	0.022
120	RB101-91020	KIT SEAL SWING	1				0.036	0.0792
130	68051-67430	U-RING	1				0.01	0.022
140	RB101-71240	RING WIPER	1				0.01	0.022
150	68811-93370	O RING	1				0.002	0.0044
160	68511-71460	RING BACK UP	1				0.002	0.0044
170	04811-50550	O RING	1				0.002	0.0044
180	68511-71490	ASSY RING SEAL	1				0.01	0.022

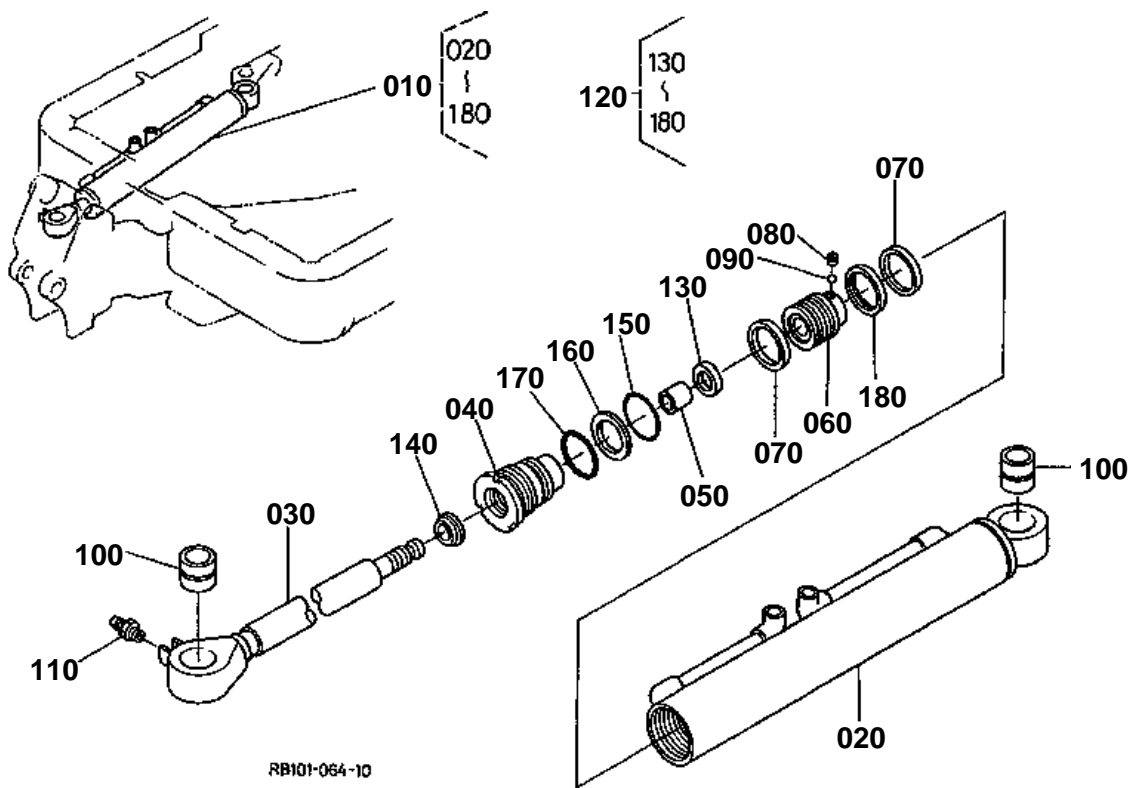


BLADE CYLINDER AND COMPONENT PARTS

↔ Interchangeable; ≠ not interchangeable; ← new for old; → old for new

REF.No	Part No.	Description	Q'ty	S.No.	I/C	REMARKS	Weight (kgf)	Weight (lb)
010	RB208-75100	ASSY CYLINDER BLADE	1				9.8	21.56
020	RB208-71910	COMP.TUBE CYLINDER	1				4.7	10.34
030	RB208-71920	COMP ROD PISTON	1				2.55	5.61
040	RB208-71930	CYLINDER HEAD	1				1.25	2.75
050	RB201-71950	BUSH	1				0.04	0.088
060	68311-71540	PISTON	1				0.79	1.738
070	68311-71550	RING SLIDE	2				0.02	0.044
080	68191-71370	SCREW SET	1				0.005	0.011
090	68701-71650	BALL	1				0.005	0.011
100	68811-93610	BUSH PIN	2				0.18	0.396
110	06611-15010	NIPPLE GREASE	1				0.01	0.022
120	06616-25010	NIPPLE GREASE	1				0.008	0.0176
130	RB201-91030	KIT SEAL BLADE	1				0.05	0.11
140	68051-75140	U-RING	1				0.01	0.022
150	RB201-71930	RING WIPER	1				0.014	0.0308
160	68861-93360	O RING	1				0.005	0.011
170	68541-71540	RING BACK UP	1				0.002	0.0044
180	68861-93370	O RING	1				0.005	0.011
190	68741-71270	ASSY RING SEAL	1				0.01	0.022

SWING CYLINDER AND COMPONENT PARTS



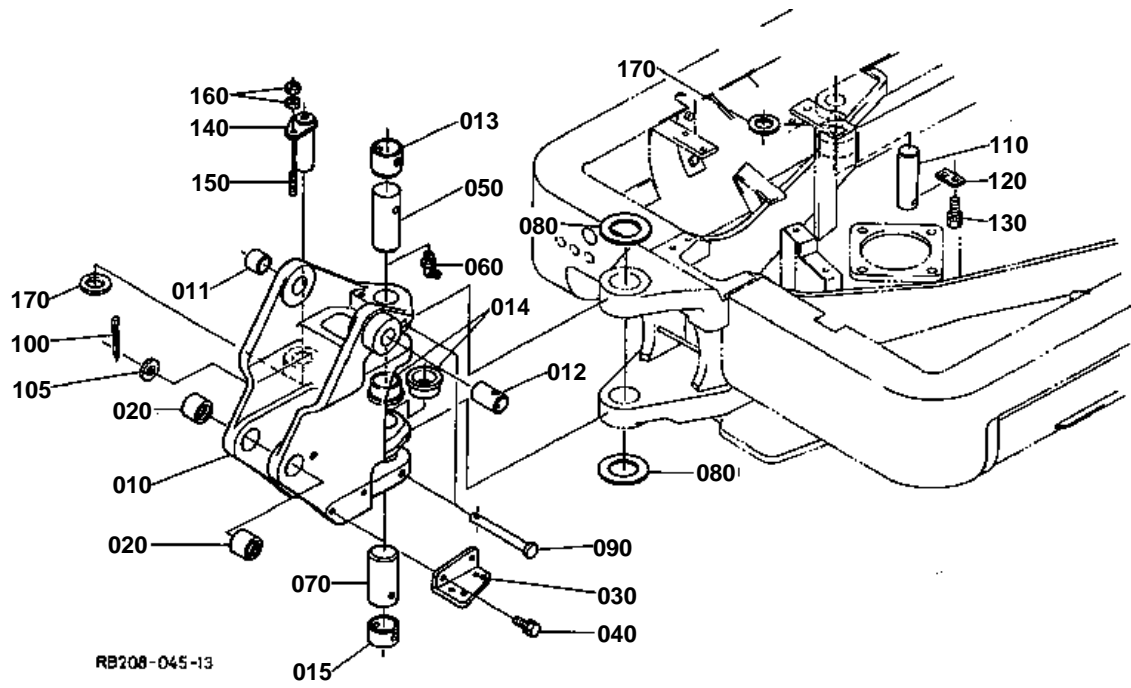


SWING CYLINDER AND COMPONENT PARTS

↔ Interchangeable; ≠ not interchangeable; ← new for old; → old for new

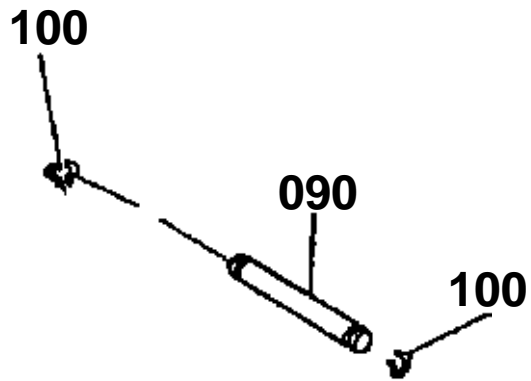
REF.No	Part No.	Description	Q'ty	S.No.	I/C	REMARKS	Weight (kgf)	Weight (lb)
010	RB108-67400	ASSY CYLINDER SWING	1				11.5	25.3
020	RB101-71210	COMP.TUBE CYLINDER	1				6.2	13.64
030	RB108-71220	COMP ROD PISTON	1				4	8.8
040	RB108-71230	CYLINDER HEAD	1				0.73	1.606
050	RB101-71270	BUSH	1				0.03	0.066
060	68191-71340	PISTON	1				0.48	1.056
070	78620-32280	RING SLIDE	2				0.01	0.022
080	68191-71370	SCREW SET	1				0.005	0.011
090	68701-71650	BALL	1				0.005	0.011
100	68811-93310	BUSH PIN	2				0.132	0.2904
110	06611-15010	NIPPLE GREASE	1				0.01	0.022
120	RB101-91020	KIT SEAL SWING	1				0.036	0.0792
130	68051-67430	U-RING	1				0.01	0.022
140	RB101-71240	RING WIPER	1				0.01	0.022
150	68811-93370	O RING	1				0.002	0.0044
160	68511-71460	RING BACK UP	1				0.002	0.0044
170	04811-50550	O RING	1				0.002	0.0044
180	68511-71490	ASSY RING SEAL	1				0.01	0.022

SWING BRACKET



090 RB208-6636-0

100 04612-00120



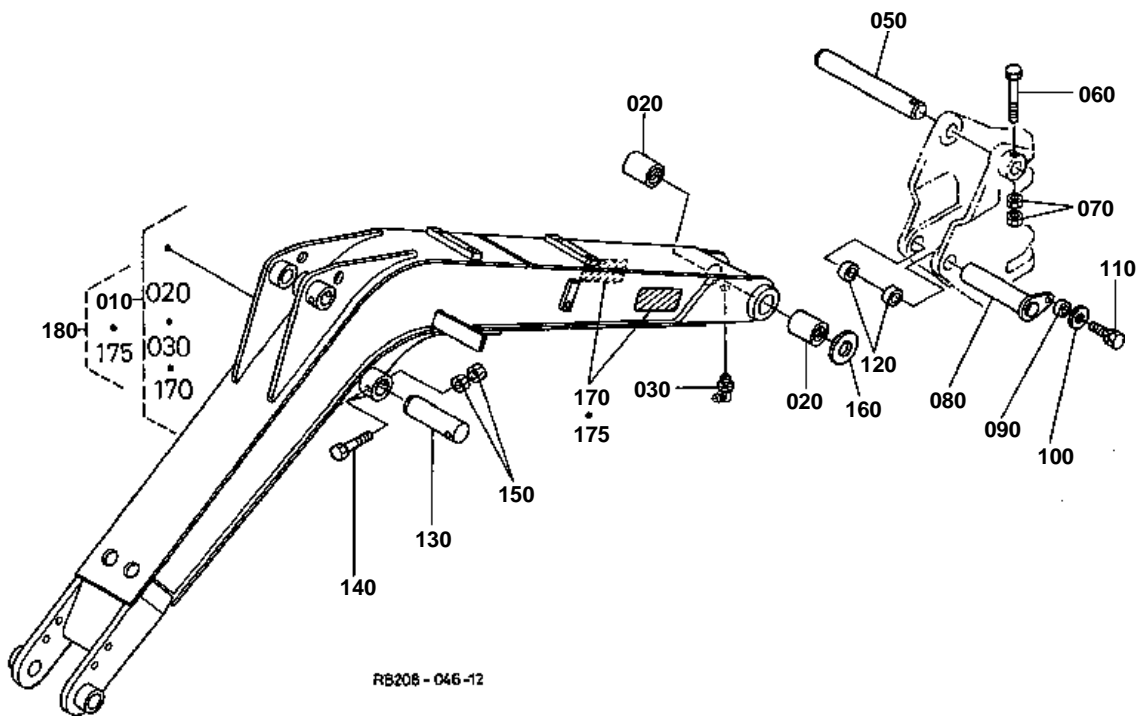
RB208-804-10

**SWING BRACKET**

↔ Interchangeable; ≠ not interchangeable; ← new for old; → old for new

REF.No	Part No.	Description	Q'ty	S.No.	I/C	REMARKS	Weight (kgf)	Weight (lb)
010	RB208-66412	BRACKET SWING	1				0	0
011	RB208-66370	BUSH	1				0.11	0.242
012	RB208-66380	BUSH	1				0.15	0.33
013	RB208-66390	BUSH	1				0.16	0.352
014	RB208-66452	BUSH	2				0	0
015	RB208-66470	BUSH	1				0	0
020	68191-66420	BUSH	2				0	0
030	68198-66490	STOPPER	1				1.28	2.816
040	01133-61030	BOLT	2				0.023	0.0506
050	68191-66450	PIN	1				1.04	2.288
060	06616-25010	NIPPLE GREASE	1				0.008	0.0176
070	68191-66460	PIN	1				0.88	1.936
080	68191-66442	COLLAR THRUST	2			2.3MM	0.07	0.154
080	RB208-66340	COLLAR THRUST	1			2.8MM	0.078	0.1716
090	RB208-66360	PIN	2	≤11640			0	0
090	RB101-66472	PIN JOINT	2	≥11641	←		0.1	0.22
100	04612-00120	CIR CLIP EXTERNAL	4	≤11640			0.001	0.0022
100	05511-50425	PIN SPLIT	2	≥11641	←		0.003	0.0066
105	04011-50120	WASHER PLAIN	2	≥11641			0.005	0.011
110	RB101-67440	PIN	1				0.03	0.066
120	68511-67450	PLATE KEY	1				0.05	0.11
130	01133-61016	BOLT	2				0.018	0.0396
140	RB108-67462	PIN	1				0	0
150	01517-61025	STUD	1				0.02	0.044
160	02118-60100	NUT	2				0.006	0.0132
170	68721-66970	SHIM	2				0.009	0.0198
170	68051-66330	SHIM	2				0.015	0.033
170	68051-66340	SHIM	2				0.021	0.0462

BOOM

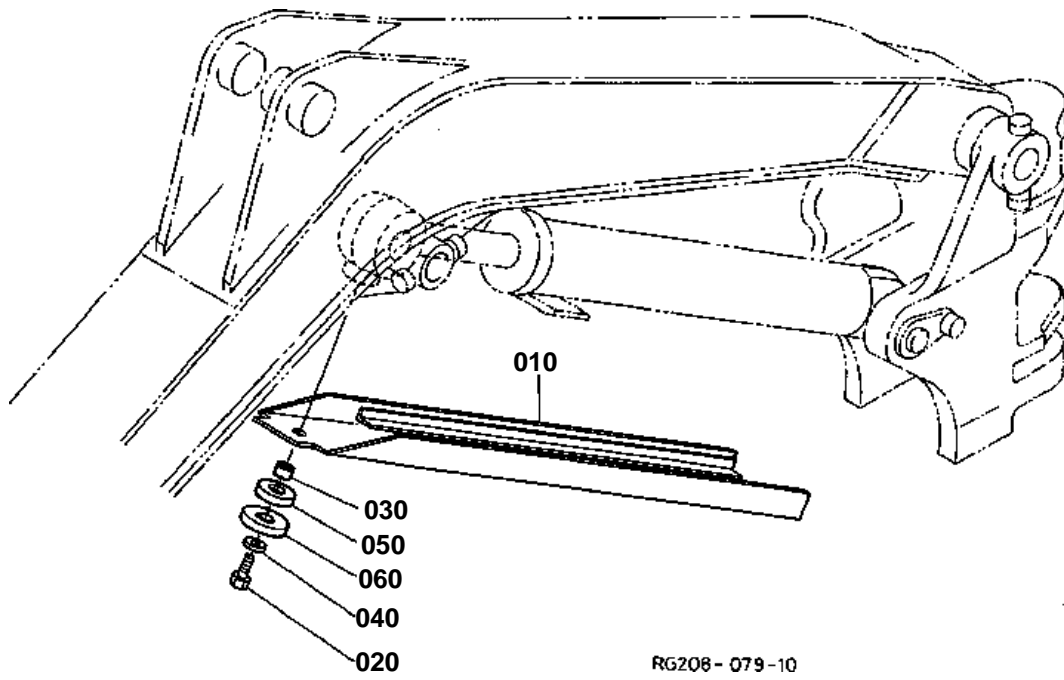


**BOOM**

↔ Interchangeable; ≠ not interchangeable; ← new for old; → old for new

REF.No	Part No.	Description	Q'ty	S.No.	I/C	REMARKS	Weight (kgf)	Weight (lb)
010	RB208-91390	KIT BOOM(A)	1				60	132
020	68721-66522	BUSH	2				0.12	0.264
030	06616-25010	NIPPLE GREASE	1				0.008	0.0176
040	99999-99999	BLANK	0				0	0
050	68191-66540	PIN	1				1.24	2.728
060	01173-61090	BOLT	1				0.054	0.1188
070	02118-60100	NUT	2				0.006	0.0132
080	68511-67552	PIN	1				0.84	1.848
090	68511-67560	SPACER	1				0.007	0.0154
100	04015-60100	WASHER PLAIN	1				0.015	0.033
110	01133-61025	BOLT	1				0.02	0.044
120	68511-67540	COLLAR	2				0.058	0.1276
130	68721-67550	PIN	1				0.67	1.474
140	01173-61065	BOLT	1				0.04	0.088
150	02118-60100	NUT	2				0.006	0.0132
160	68721-66970	SHIM	1	>=11038			0.009	0.0198
170	68328-57350	LABEL WARNING	2			ENGLISH	0.003	0.0066
175	RC108-58640	LABEL WARNING	2			FRENCH	0.001	0.0022
180	RB208-91690	KIT BOOM(B)	1				0	0

CYLINDER COVER (BOOM)

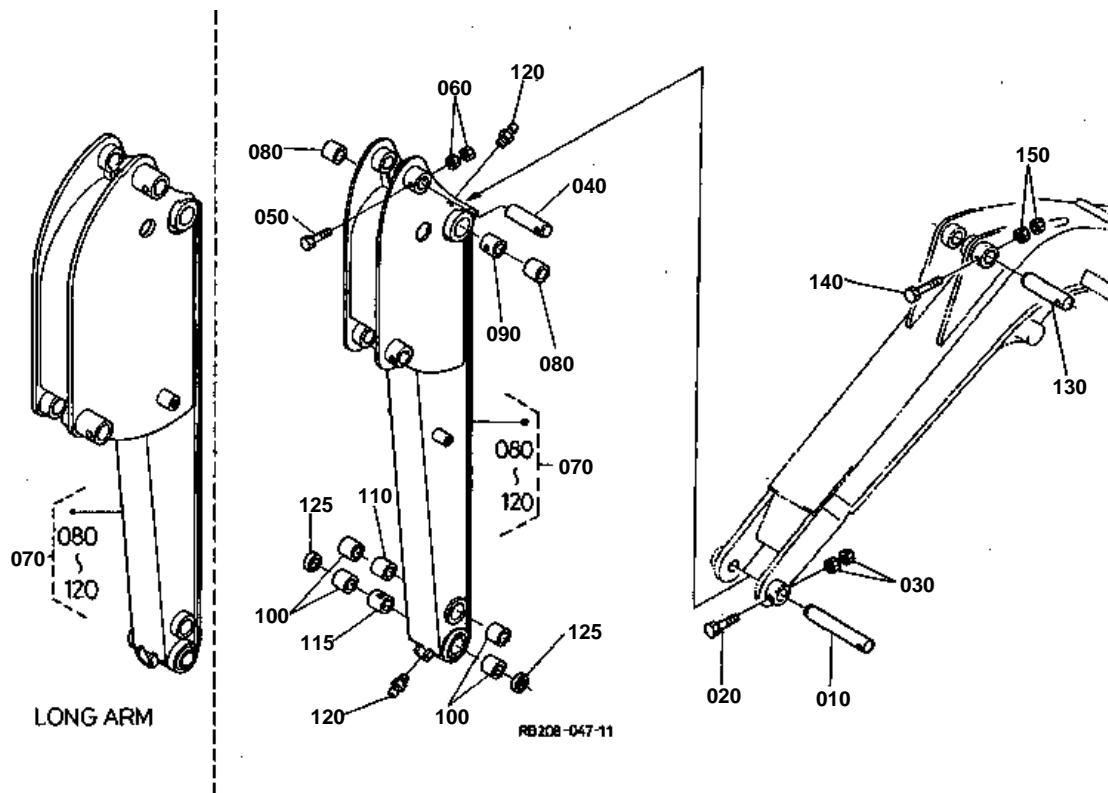




CYLINDER COVER (BOOM)

↔ Interchangeable; ≠ not interchangeable; ← new for old; → old for new

REF.No	Part No.	Description	Q'ty	S.No.	I/C	REMARKS	Weight (kgf)	Weight (lb)
010	RB108-67530	COVER CYLINDER	1				3.03	6.666
020	01173-61220	BOLT	1				0.029	0.0638
030	68541-66580	COLLAR	1				0	0
040	04013-60120	WASHER PLAIN	1				0.01	0.022
050	68541-66562	CUSHION	1				0.01	0.022
060	04015-60160	WASHER PLAIN	1				0.058	0.1276

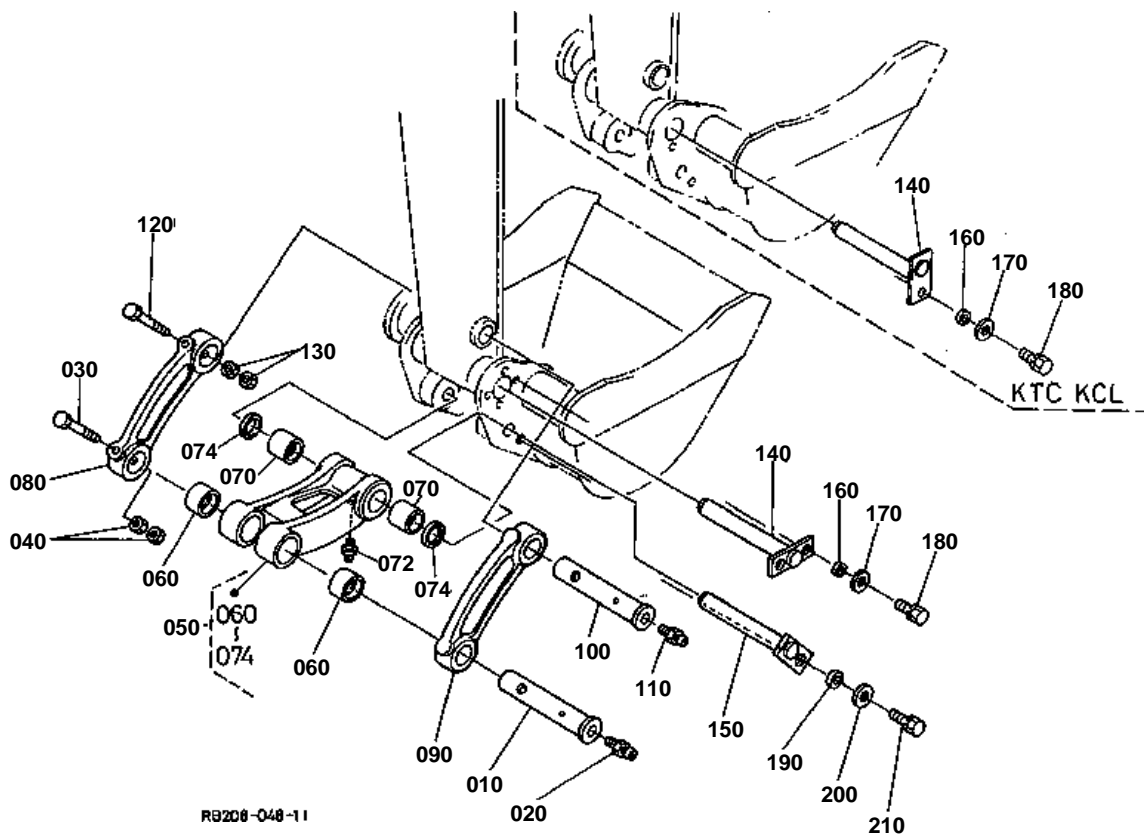


**ARM**

↔ Interchangeable; ≠ not interchangeable; ← new for old; → old for new

REF.No	Part No.	Description	Q'ty	S.No.	I/C	REMARKS	Weight (kgf)	Weight (lb)
010	68709-66540	PIN	1				0.94	2.068
020	01173-61065	BOLT	1				0.04	0.088
030	02118-60100	NUT	2				0.006	0.0132
040	68721-67550	PIN	1				0.67	1.474
050	01173-61065	BOLT	1				0.04	0.088
060	02118-60100	NUT	2				0.006	0.0132
070	RB208-67900	ASSY ARM(S/P)	1			950MM	25	55
070	RB208-67100	ASSY ARM LONG	1	<=11363		1150MM	0	0
070	RB208-67102	ASSY ARM LONG	1	>=11364	←	1150MM	35	77
080	68721-66522	BUSH	2				0.12	0.264
090	RB101-66630	COLLAR	1				0.053	0.1166
100	68721-66630	BUSH	4				0.08	0.176
110	RB101-66620	COLLAR	1				0.039	0.0858
115	RB208-66620	COLLAR	1				0.026	0.0572
120	06611-15010	NIPPLE GREASE	2				0.01	0.022
125	68721-66650	SEAL DUST	2				0.006	0.0132
130	RB301-67570	PIN	1				0.696	1.5312
140	01173-61065	BOLT	1				0.04	0.088
150	02118-60100	NUT	2				0.006	0.0132

BUCKET LINK

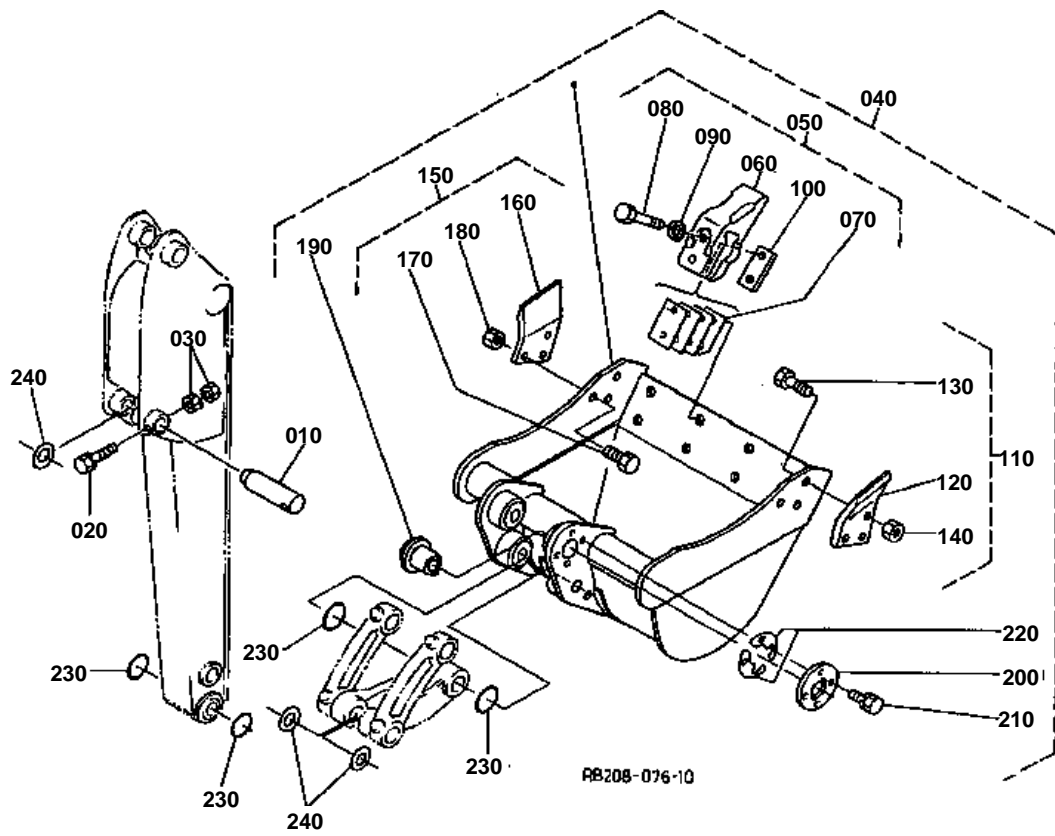


**BUCKET LINK**

↔ Interchangeable; ≠ not interchangeable; ← new for old; → old for new

REF.No	Part No.	Description	Q'ty	S.No.	I/C	REMARKS	Weight (kgf)	Weight (lb)
010	68721-66740	PIN	1				0.76	1.672
020	06611-15010	NIPPLE GREASE	1				0.01	0.022
030	01173-61080	BOLT	1				0.048	0.1056
040	02118-60100	NUT	2				0.006	0.0132
050	68198-66702	ASSY LINK BUCKET	1				3.264	7.1808
060	68721-66770	BUSH	2				0.09	0.198
070	68721-66630	BUSH	2				0.08	0.176
072	06611-15010	NIPPLE GREASE	1				0.01	0.022
074	68721-66650	SEAL DUST	2				0.006	0.0132
080	68198-66720	LINK BUCKET	1				1.36	2.992
090	68198-66730	LINK BUCKET	1				1.4	3.08
100	68721-66750	PIN	1				0.55	1.21
110	06611-15010	NIPPLE GREASE	1				0.01	0.022
120	01173-61080	BOLT	1				0.048	0.1056
130	02118-60100	NUT	2				0.006	0.0132
140	RB208-66760	PIN	1			KTA	0.88	1.936
140	RB208-66790	PIN	1	≤11190		KTC KCL	0.86	1.892
140	68198-66790	PIN	1	≥11191	≠	KTC KCL	0	0
150	RB208-66790	PIN	1			KTA	0.86	1.892
150	RB208-66790	PIN	1	≤11190		KTC KCL	0.86	1.892
150	68198-66790	PIN	1	≥11191	≠	KTC KCL	0	0
160	RC101-66860	COLLAR	2			KTA	0.008	0.0176
160	68741-66920	SPACER	1			KTC KCL	0.01	0.022
170	41062-51740	COLLAR	2			KTA	0.006	0.0132
170	04015-60120	WASHER PLAIN	1			KTC KCL	0.022	0.0484
180	01133-61030	BOLT	2			KTA	0.023	0.0506
180	01133-61225	BOLT	1			KTC KCL	0.037	0.0814
190	68741-66920	SPACER	1				0.01	0.022
200	04015-60120	WASHER PLAIN	1				0.022	0.0484
210	01133-61225	BOLT	1				0.037	0.0814

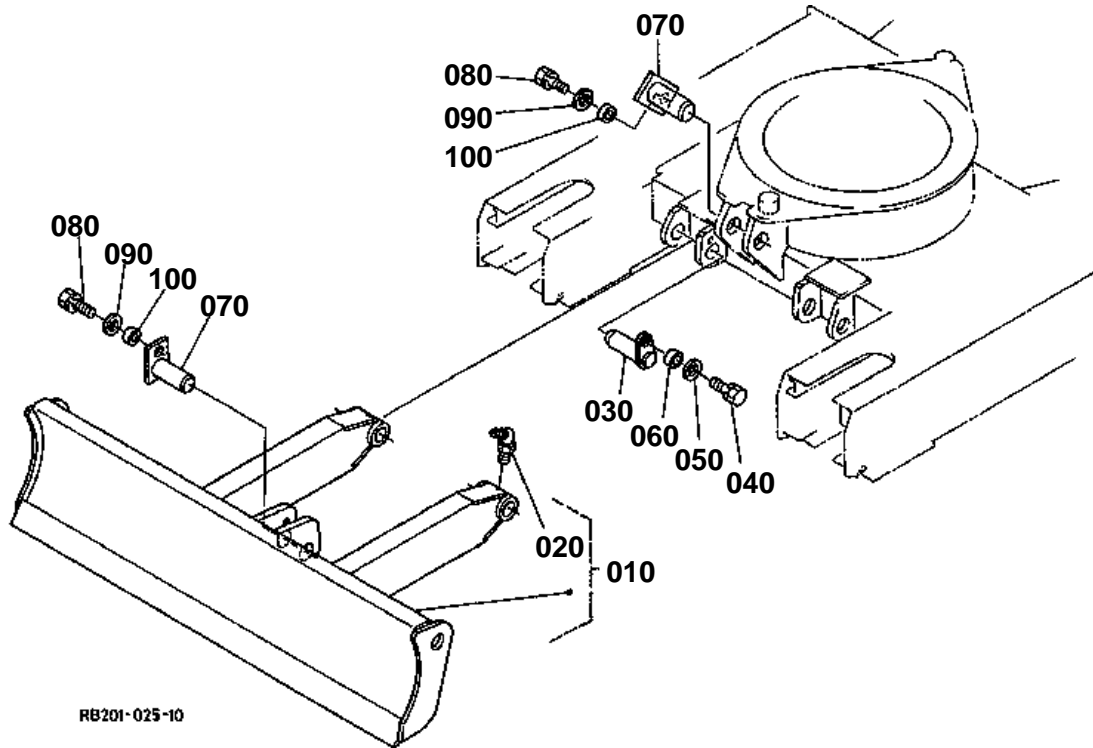
BUCKET



**BUCKET**

↔ Interchangeable; ≠ not interchangeable; ← new for old; → old for new

REF.No	Part No.	Description	Q'ty	S.No.	I/C	REMARKS	Weight (kgf)	Weight (lb)
010	68721-67550	PIN	1				0.67	1.474
020	01173-61065	BOLT	1				0.04	0.088
030	02118-60100	NUT	2				0.006	0.0132
040	RB208-66800	ASSY BUCKET	1			KTA 450MM	0	0
040	RB108-66800	ASSY BUCKET	1			KTA 400MM	0	0
050	RB101-66100	ASSY TEETH	4			KTA 450MM	2	4.4
050	RB101-66100	ASSY TEETH	3			KTA 400MM	2	4.4
060	RB101-66110	TEETH	4			KTA 450MM	1.58	3.476
060	RB101-66110	TEETH	3			KTA 400MM	1.58	3.476
070	68131-66930	SHIM	4			KTA 450MM	0.03	0.066
070	69201-71390	SHIM	4			KTA 450MM	0.012	0.0264
070	68721-66880	SHIM	4			KTA 450MM	0.05	0.11
070	68131-66930	SHIM	3			KTA 400MM	0.03	0.066
070	69201-71390	SHIM	3			KTA 400MM	0.012	0.0264
070	68721-66880	SHIM	3			KTA 400MM	0.05	0.11
080	01176-61445	BOLT	8			KTA 450MM	0.068	0.1496
080	01138-51445	BOLT	2		↔		0.001	0.0022
080	01176-61445	BOLT	6			KTA 400MM	0.068	0.1496
080	01138-51445	BOLT	2		↔		0.001	0.0022
090	04512-60140	WASHER SPRING	8			KTA 450MM	0.008	0.0176
090	04512-60140	WASHER SPRING	6			KTA 400MM	0.008	0.0176
100	68131-66920	NUT	4			KTA 450MM	0.14	0.308
100	68131-66920	NUT	3			KTA 400MM	0.14	0.308
110	RB101-66200	ASSY CUTER SIDE LH	1			KTA	1.1	2.42
120	RB101-66930	CUTER SIDE LH	1			KTA	0.75	1.65
130	68191-66952	BOLT	3			KTA	0.09	0.198
140	68191-66960	NUT	3			KTA	0.025	0.055
150	RB101-66300	ASSY CUTER SIDE RH	1			KTA	1.1	2.42
160	RB101-66940	CUTER SIDE RH	1			KTA	0.73	1.606
170	68191-66952	BOLT	3			KTA	0.09	0.198
180	68191-66960	NUT	3			KTA	0.025	0.055
190	RB101-66870	BUSH	1			KTA	0.335	0.737
200	RB101-66880	PLATE	1			KTA	0.14	0.308
210	01133-61020	BOLT	2			KTA	0.02	0.044
220	RB101-66890	SHIM	8			KTA	0.011	0.0242
220	RB101-66860	SHIM	4			KTA	0.01	0.022
230	68721-66850	O RING	4				0.004	0.0088
240	68721-66970	SHIM	2				0.009	0.0198
240	68051-66330	SHIM	2				0.015	0.033
240	68051-66340	SHIM	2				0.021	0.0462

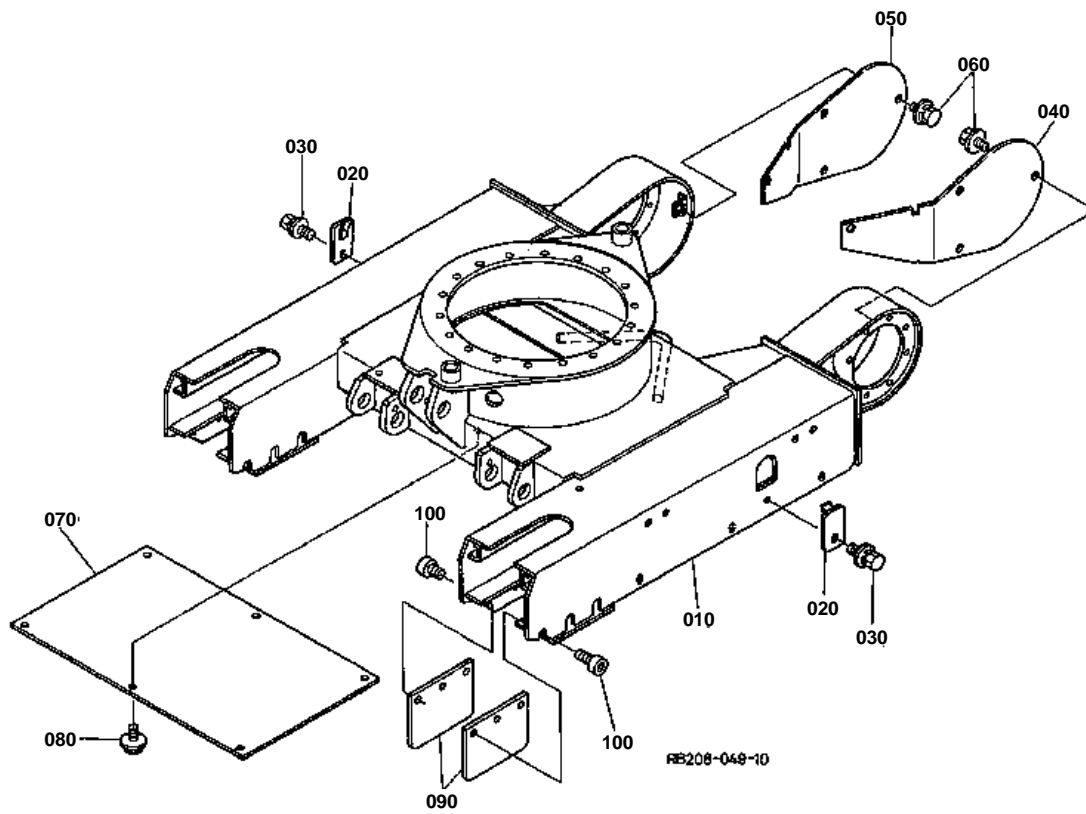


**BLADE**

↔ Interchangeable; ≠ not interchangeable; ← new for old; → old for new

REF.No	Part No.	Description	Q'ty	S.No.	I/C	REMARKS	Weight (kgf)	Weight (lb)
010	RB208-74400	ASSY BLADE	1			1000MM	67	147.4
020	06616-25010	NIPPLE GREASE	2				0.008	0.0176
030	RB101-74430	PIN	2				0.8	1.76
040	01133-61025	BOLT	2				0.02	0.044
050	41062-51740	COLLAR	2				0.006	0.0132
060	RC101-66860	COLLAR	2				0.008	0.0176
070	RB108-74422	PIN	2				0	0
080	01133-61025	BOLT	2				0.02	0.044
090	41062-51740	COLLAR	2				0.006	0.0132
100	RC101-66860	COLLAR	2				0.008	0.0176

TRACK FRAME

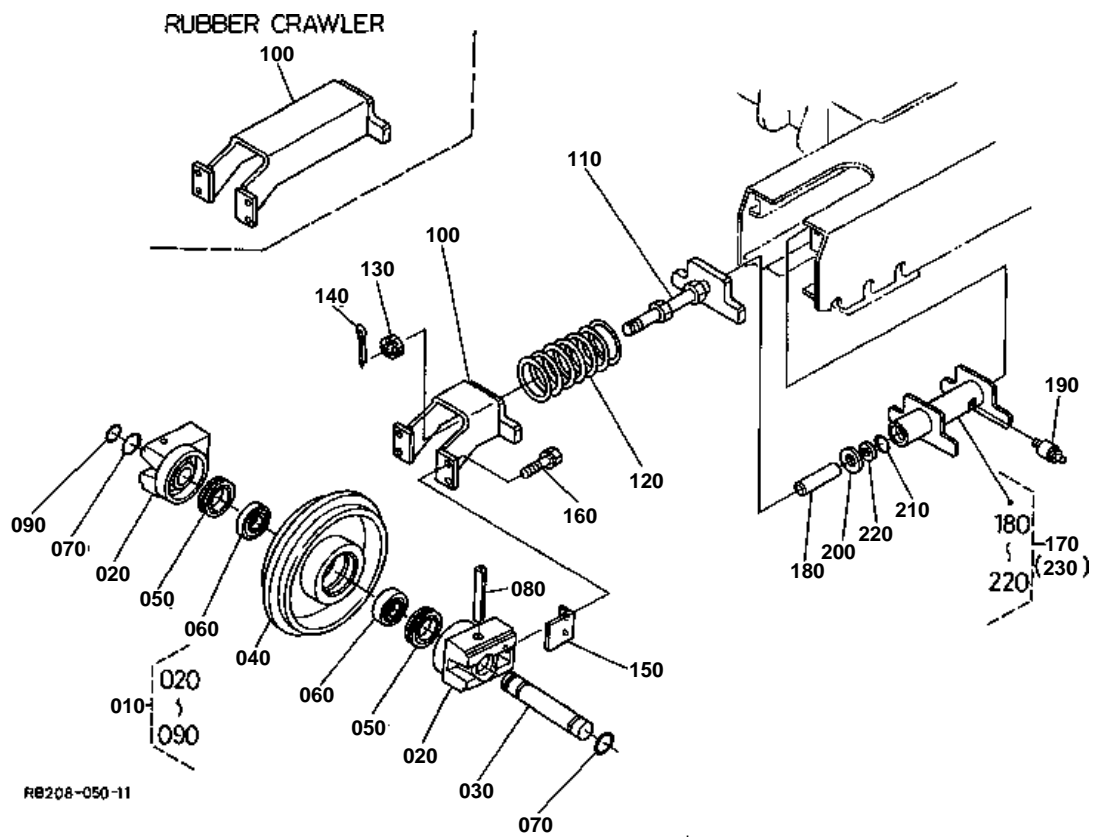


**TRACK FRAME**

↔ Interchangeable; ≠ not interchangeable; ← new for old; → old for new

REF.No	Part No.	Description	Q'ty	S.No.	I/C	REMARKS	Weight (kgf)	Weight (lb)
010	RB208-21110	FRAME TRACK	1				0	0
010	RB208-21112	FRAME TRACK	1		←		0	0
020	RC108-21140	COVER	2				0.172	0.3784
030	01135-61020	BOLT	2				0.015	0.033
040	RB108-21150	COVER MOTOR LH	1				0.73	1.606
050	RB108-21160	COVER MOTOR RH	1				0.73	1.606
060	01135-61020	BOLT	8				0.015	0.033
070	RB101-21170	COVER	1				2.5	5.5
080	01135-61020	BOLT	6				0.015	0.033
090	68198-21180	GUIDE	4			IRON CRAWLER	1.207	2.6554
100	68191-21190	BOLT HEX-SOC-HD	12			IRON CRAWLER	0.02	0.044

IDLER

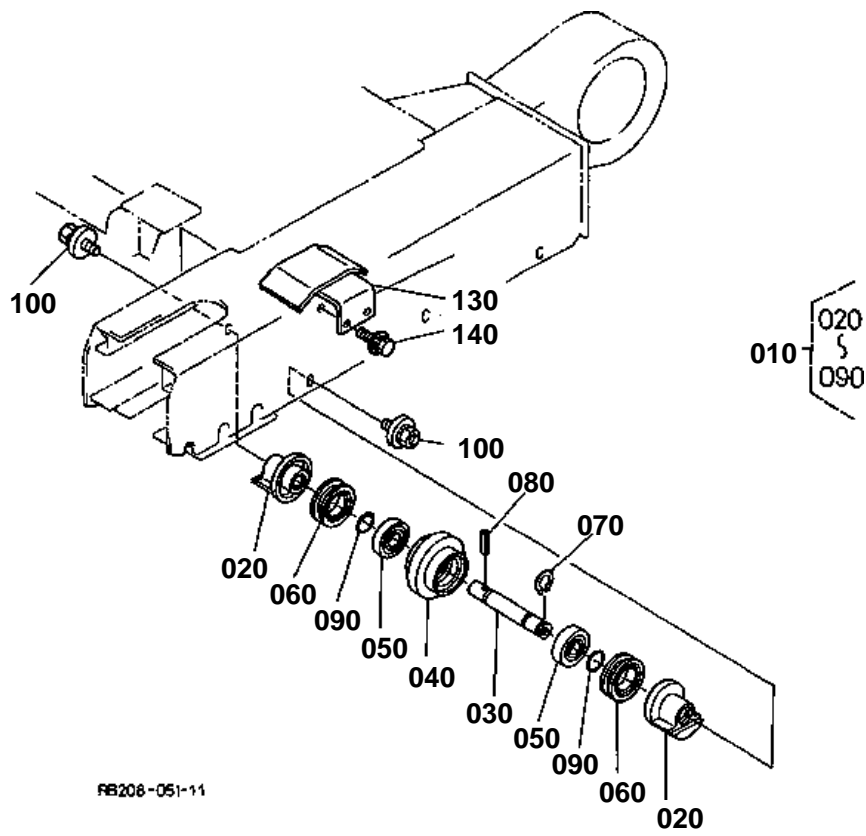


**IDLER**

↔ Interchangeable; ≠ not interchangeable; ← new for old; → old for new

REF.No	Part No.	Description	Q'ty	S.No.	I/C	REMARKS	Weight (kgf)	Weight (lb)
010	68198-21302	ASSY WHEEL IDLER	2				11.8	25.96
020	68198-21320	BRACKET	4				1.07	2.354
030	68051-21330	SHAFT IDLER	2				0.558	1.2276
040	68198-21342	WHEEL IDLER	2				8.6	18.92
050	RB401-21350	SEAL FLOATING	4				0.11	0.242
060	08240-00001	BEARING BALL	4				0.19	0.418
070	04811-00210	O RING	4				0	0
080	05411-00663	PIN SPRING	2				0.009	0.0198
090	68051-21390	WIRE	2				0.002	0.0044
100	RB101-21410	YOKE CRAWLER RUBBER	2			RUBBER CRAWLER	5.3	11.66
100	RB101-21450	YOKE CRAWLER	2			IRON CRAWLER	1.8	3.96
110	RB101-21430	RETAINER SPRING	2			IRON CRAWLER	1.7	3.74
120	68051-21420	SPRING	2			IRON CRAWLER	2	4.4
130	68741-21420	NUT	2			IRON CRAWLER	0.04	0.088
140	05511-50430	PIN SPLIT	2			IRON CRAWLER	0.004	0.0088
150	68191-21420	SPACER	4				0.21	0.462
160	01133-61230	BOLT	8				0.04	0.088
170	RB101-21500	ASSY CYLINDER LH	1				4.566	10.0452
180	68511-21520	RAM	1				0.81	1.782
190	RC101-21552	ASSY NIPPLE	1				0.075	0.165
200	68511-21550	SEAL ROD	1				0.002	0.0044
210	04810-00300	O RING	1				0	0
220	68511-21540	RING BACK UP	1				0.001	0.0022
230	RB101-21600	ASSY CYLINDER RH	1				4.566	10.0452

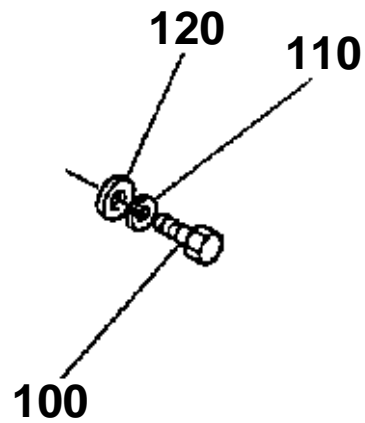
TRACK ROLLER



100 01176-61230

110 04512-60120

120 RC101-2179-0

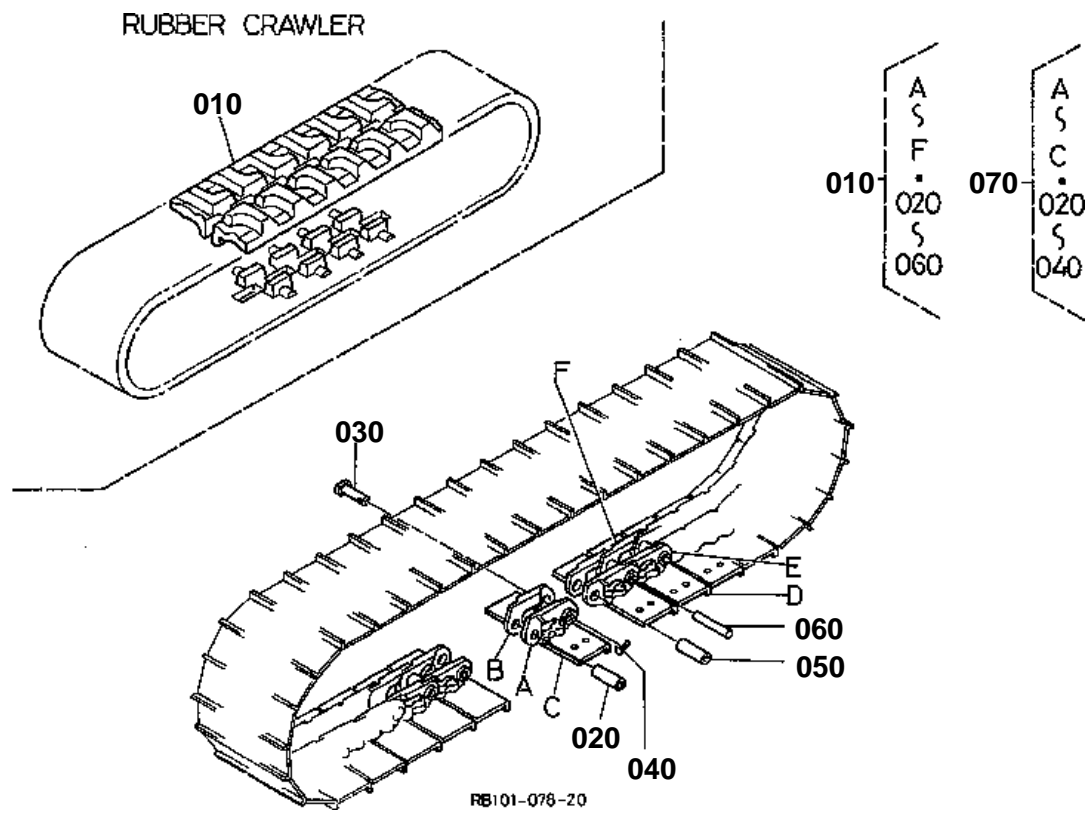


RC108-810-10

**TRACK ROLLER**

↔ Interchangeable; ≠ not interchangeable; ← new for old; → old for new

REF.No	Part No.	Description	Q'ty	S.No.	I/C	REMARKS	Weight (kgf)	Weight (lb)
010	RB101-21700	ASSY ROLLER TRACK	6				4.67	10.274
020	RB101-21710	BRACKET	12				0.8	1.76
030	RB101-21720	SHAFT TRACK ROLLER	6				0.58	1.276
040	RB101-21750	ROLLER TRACK	6				2	4.4
050	08101-06205	BEARING BALL	12				0.14	0.308
060	RB401-21350	SEAL	12				0.11	0.242
070	04612-00250	CIR CLIP EXTERNAL	6				0.002	0.0044
080	05411-00640	PIN SPRING	6				0.006	0.0132
090	04811-00210	O RING	12				0	0
100	01176-61230	BOLT	12	≤11794			0.036	0.0792
100	RC601-21850	BOLT	12	≥11795	←		0.05	0.11
110	04512-60120	WASHER SPRING	12	≤11794			0.005	0.011
120	RC101-21790	WASHER	12	≤11794			0.1	0.22
130	RB108-21810	PLATE	4				1.44	3.168
140	01135-61025	BOLT	8				0.04	0.088

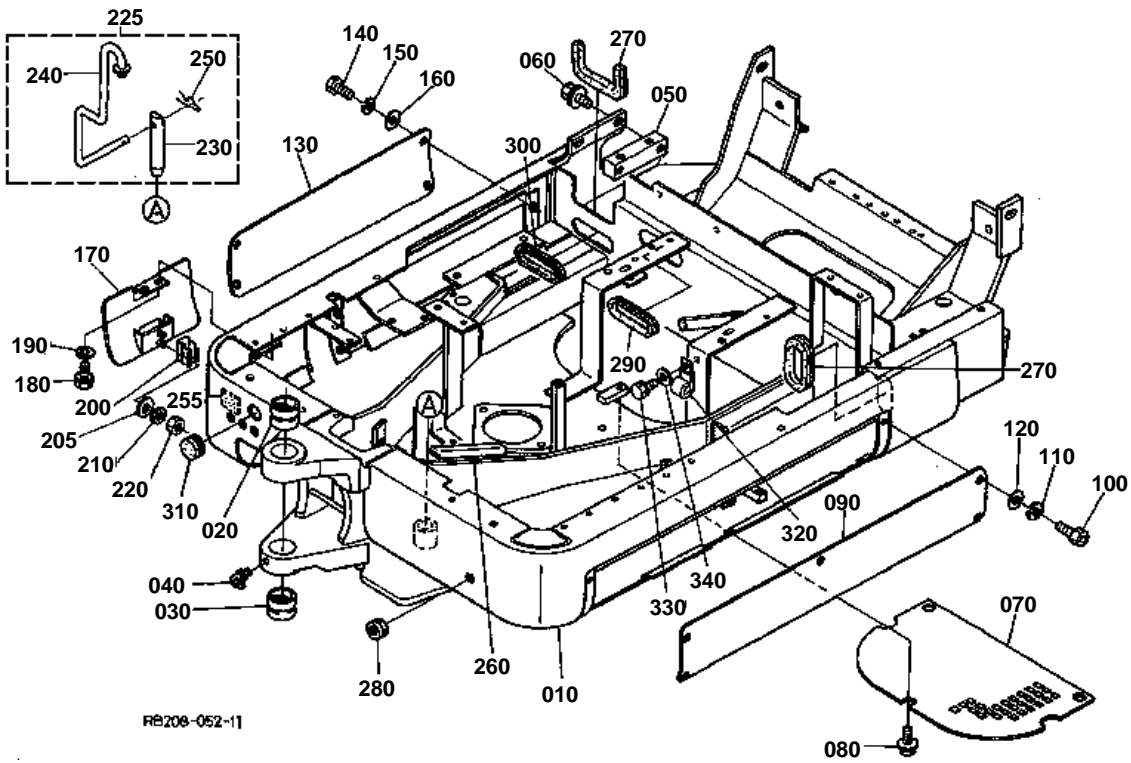


**CRAWLER**

↔ Interchangeable; ≠ not interchangeable; ← new for old; → old for new

REF.No	Part No.	Description	Q'ty	S.No.	I/C	REMARKS	Weight (kgf)	Weight (lb)
010	68195-22100	ASSY CRAWLER	2			IRON CRAWLER	0	0
010	RB201-22312	CRAWLER RUBBER	2	≤11414		RUBBER CRAWLER	0	0
010	RB201-22313	CRAWLER RUBBER	2	≥11415	←	RUBBER CRAWLER	45.2	99.44
020	68051-22170	BUSH	2			IRON CRAWLER	0.07	0.154
030	68051-22150	PIN MASTER	2			IRON CRAWLER	0.094	0.2068
040	68001-22220	PIN SET	2			IRON CRAWLER	0.006	0.0132
050	68051-22170	BUSH	62			IRON CRAWLER	0.07	0.154
060	68051-22160	PIN TRACK	62			IRON CRAWLER	0.1	0.22
070	68191-22250	ASSY LINK MASTER	2			IRON CRAWLER	0	0

SWIVEL FRAME



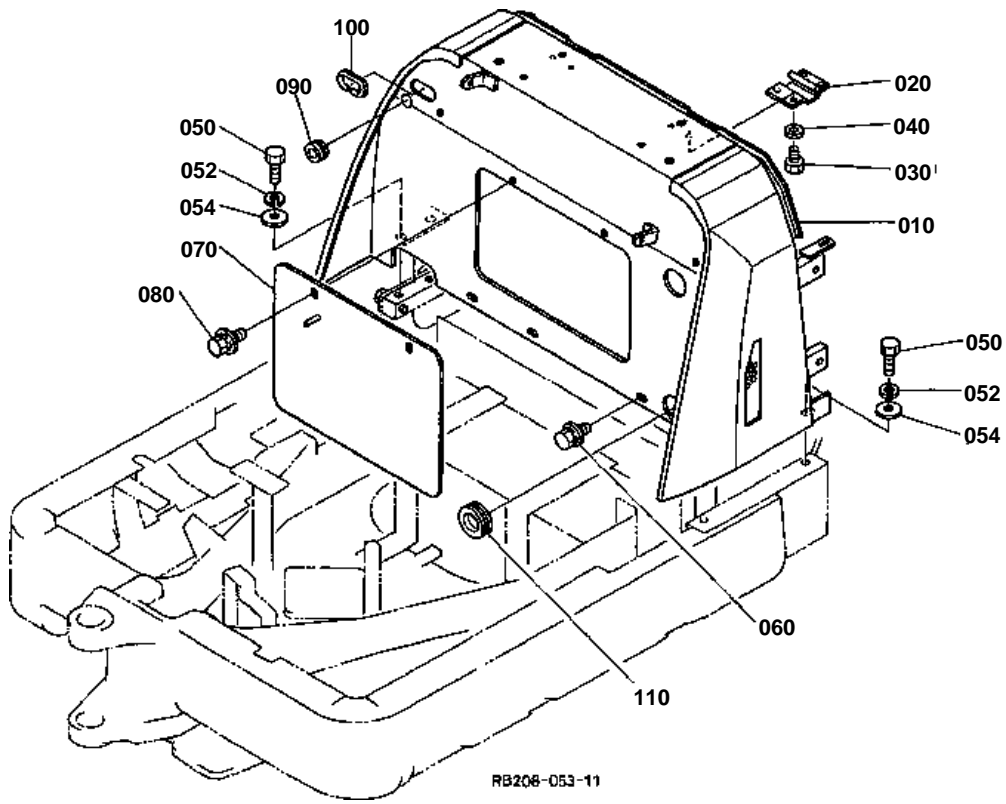
RB208-052-11

**SWIVEL FRAME**

↔ Interchangeable; ≠ not interchangeable; ← new for old; → old for new

REF.No	Part No.	Description	Q'ty	S.No.	I/C	REMARKS	Weight (kgf)	Weight (lb)
010	RB208-41312	FRAME SWING	1				0	0
020	RB401-41133	BUSH	1	<=11444			0.16	0.352
020	RB401-41133	BUSH	1	>=11445	↔		0.16	0.352
030	RB401-41143	BUSH	1	<=11444			0.14	0.308
030	RB401-41143	BUSH	1	>=11445	↔		0.14	0.308
040	06616-35010	NIPPLE GREASE	1				0.009	0.0198
050	RB101-41120	BRACKET ARCH	1				0.81	1.782
060	01135-61230	BOLT	2				0.05	0.11
070	RB108-41150	COVER	1			<=NOV.98	0.9	1.98
070	RB101-41150	COVER	1		↔	>=DEC.98	0.3	0.66
080	01135-61020	BOLT	3				0.015	0.033
090	RB108-41160	COVER	1				2.4	5.28
100	RC101-41140	BOLT HEX-SOC-HD	5				0.01	0.022
110	04512-60080	WASHER SPRING	5				0.002	0.0044
120	04013-60080	WASHER PLAIN	5				0.002	0.0044
130	RB108-41170	COVER	1				1.5	3.3
140	RC101-41140	BOLT HEX-SOC-HD	4				0.01	0.022
150	04512-60080	WASHER SPRING	4				0.002	0.0044
160	04013-60080	WASHER PLAIN	4				0.002	0.0044
170	RB108-41180	COVER	1				0.69	1.518
180	01023-60616	BOLT	2				0.005	0.011
190	04013-60060	WASHER PLAIN	2				0.001	0.0022
200	63052-34380	STOPPER	1				0.01	0.022
205	04012-50050	WASHER PLAIN	2				0.001	0.0022
210	04512-60050	WASHER SPRING	2				0.002	0.0044
220	02054-60050	NUT	2				0.003	0.0066
225	RB208-88360	PIN SWING LOCK UNIT	1				0.52	1.144
230	RB101-41130	PIN SWING LOCK	1				0.37	0.814
240	RB208-41190	LEVER SWING LOCK	1				0.15	0.33
250	05515-60800	PIN SNAP	1				0.002	0.0044
255	RC601-53270	CUSHION	1	>=11033			0.007	0.0154
260	RB101-41140	CUSHION	1				0.037	0.0814
270	68311-42380	GROMMET	2				0.02	0.044
280	68588-82530	GROMMET	1				0.005	0.011
290	68311-41370	GROMMET	1				0.02	0.044
300	68818-43190	GROMMET BONNET	1				0.025	0.055
310	68331-51430	GROMMET	1				0.01	0.022
320	12234-67580	CLAMP CORD	1				0.012	0.0264
330	01123-60820	BOLT	1				0.015	0.033
340	04013-60080	WASHER PLAIN	1				0.002	0.0044

ARCH FRAME



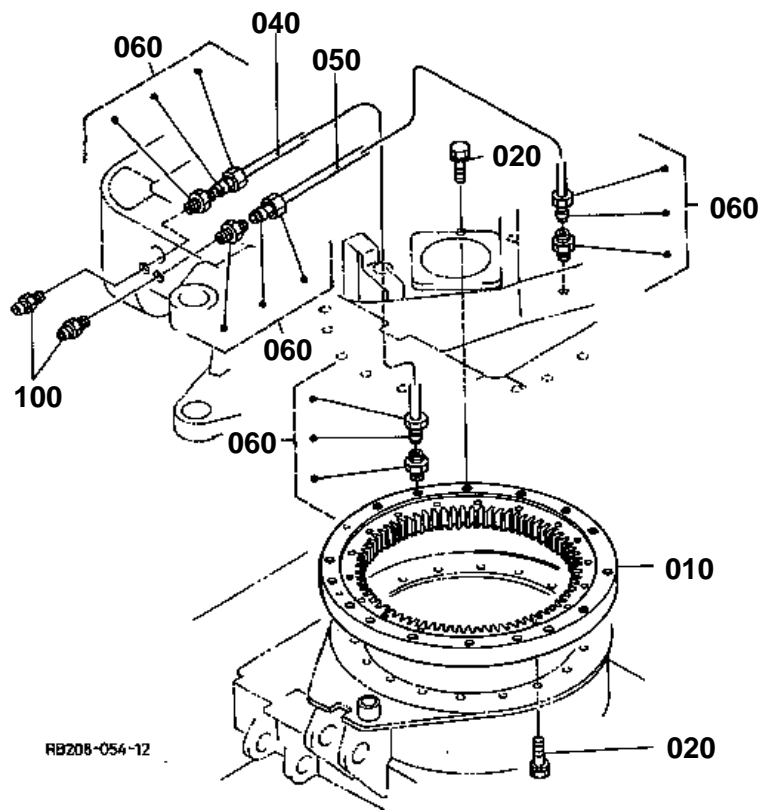
RB208-053-11

**ARCH FRAME**

↔ Interchangeable; ≠ not interchangeable; ← new for old; → old for new

REF.No	Part No.	Description	Q'ty	S.No.	I/C	REMARKS	Weight (kgf)	Weight (lb)
010	RB208-41410	FRAME ARCH	1				50	110
020	RB101-41240	HINGE	2				0.23	0.506
030	01123-60820	BOLT	4				0.015	0.033
040	04013-60080	WASHER PLAIN	4				0.002	0.0044
050	01176-61230	BOLT	4				0.036	0.0792
052	04512-60120	WASHER SPRING	4				0.005	0.011
054	69110-42120	WASHER	4				0.018	0.0396
060	01135-61020	BOLT	3				0.015	0.033
070	RB208-41230	COVER	1				2.02	4.444
080	01135-61020	BOLT	2				0.015	0.033
090	90407-11210	GROMMET	1				0.006	0.0132
100	RB208-41430	TRIM SASH	1				0.013	0.0286
110	68748-53120	GROMMET	2				0.015	0.033

SWIVEL BEARING

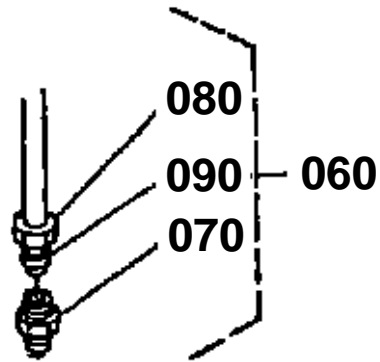


060 68241-6747-0

070 68241-6748-0

080 68331-4135-0

090 68331-4134-0

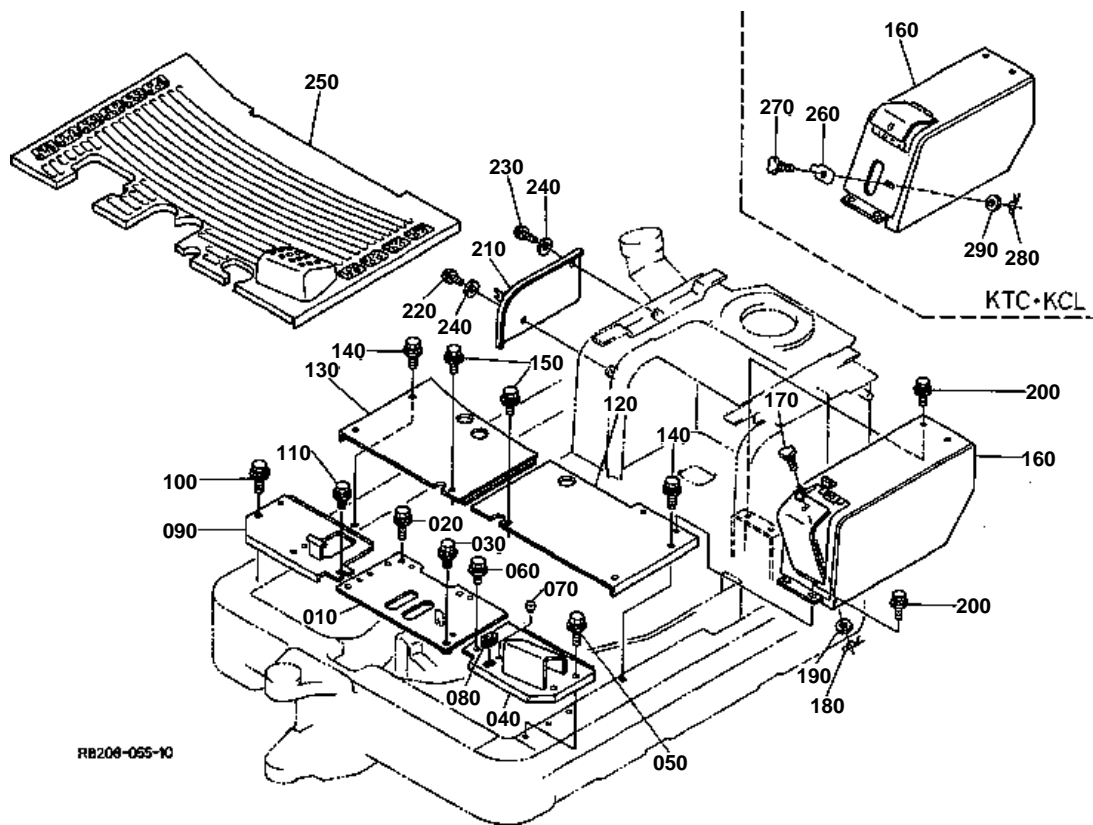


RG408-801-10

**SWIVEL BEARING**

↔ Interchangeable; ≠ not interchangeable; ← new for old; → old for new

REF.No	Part No.	Description	Q'ty	S.No.	I/C	REMARKS	Weight (kgf)	Weight (lb)
010	RB101-19110	BEARING SWIVEL	1				17	37.4
020	01138-61230	BOLT	33			<=NOV.98	0.018	0.0396
020	01138-51230	BOLT	33		↔	>=DEC.98	0.2	0.44
030	99999-99999	BLANK	0				0	0
040	RB101-19210	TUBE GREASE	1	<=11581			0.021	0.0462
040	RB208-19210	TUBE GREASE	1	>=11582	≠		0.02	0.044
050	68581-19210	TUBE NYLON	1	<=11581			0.01	0.022
050	RB208-19220	TUBE GREASE	1	>=11582	≠		0.03	0.066
060	68241-67470	CONNECTOR	4	<=11581			0.013	0.0286
060	68721-67480	CONNECTOR	4	>=11582	≠		0.02	0.044
070	68241-67480	BODY CONNECTOR	4	<=11581			0.01	0.022
080	68331-41350	NUT	4	<=11581			0.002	0.0044
090	68331-41340	SLEEVE	4	<=11581			0.001	0.0022
100	06611-15010	NIPPLE GREASE	2				0.01	0.022

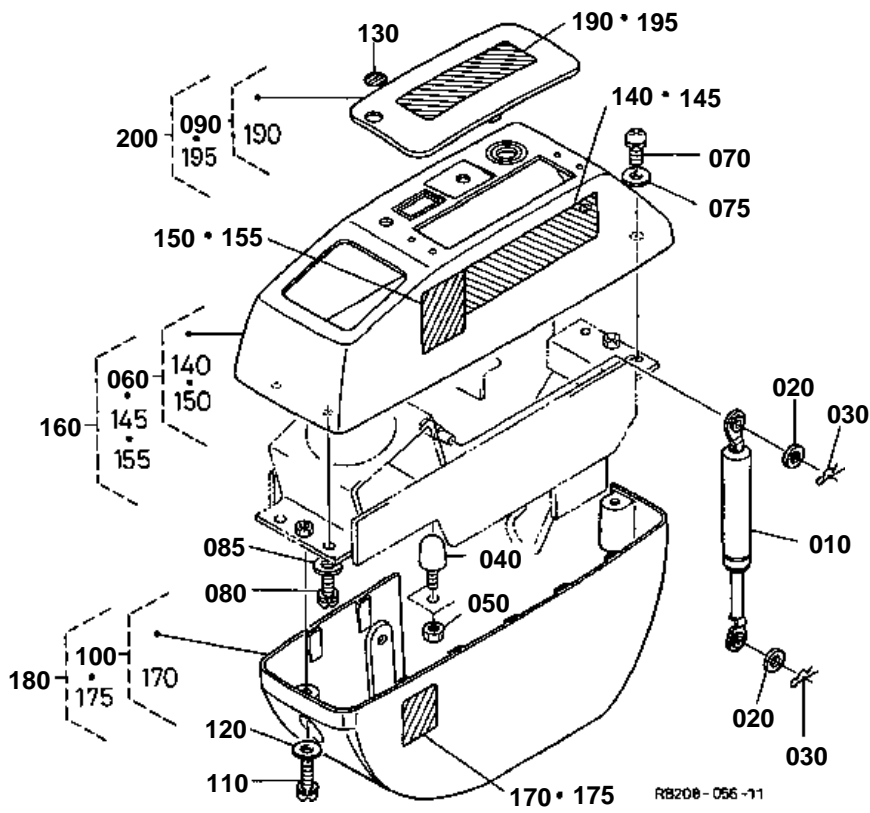


**STEP**

↔ Interchangeable; ≠ not interchangeable; ← new for old; → old for new

REF.No	Part No.	Description	Q'ty	S.No.	I/C	REMARKS	Weight (kgf)	Weight (lb)
010	RB208-44140	STEP	1				1.16	2.552
020	01135-61035	BOLT	1				0.03	0.066
030	01135-61020	BOLT	3				0.015	0.033
040	RB101-44150	STEP	1				1.5	3.3
050	01135-61040	BOLT	2				0.033	0.0726
060	01135-61020	BOLT	1				0.015	0.033
070	38240-29870	CUSHION	1				0.004	0.0088
080	RC101-44080	GROMMET	1				0.003	0.0066
090	RB208-44270	STEP	1				0.79	1.738
100	01135-61040	BOLT	2				0.033	0.0726
110	01135-61020	BOLT	1				0.015	0.033
120	RB208-44170	STEP	1				0.23	0.506
130	RB208-44280	STEP	1				2	4.4
140	01135-61040	BOLT	4				0.033	0.0726
150	01135-61020	BOLT	2				0.015	0.033
160	RB208-44180	COVER TOOL	1			KTA	3.09	6.798
160	RB208-96710	COVER(TPSS)	1			KTC KCL	2.65	5.83
170	RC101-44840	BOLT KNOB	1				0.015	0.033
180	05525-60600	PIN SNAP	1				0.001	0.0022
190	04012-50060	WASHER PLAIN	1				0.001	0.0022
200	01135-61020	BOLT	4				0.015	0.033
210	RB208-44240	COVER RH	1				0.29	0.638
220	03004-60816	SCREW WITH WASHER	2				0.011	0.0242
230	03004-60825	SCREW WITH WASHER	2				0.14	0.308
240	04013-60080	WASHER PLAIN	4				0.002	0.0044
250	RB208-44940	MAT	1				1	2.2
260	RD108-96740	PLATE JD	1			KTC KCL	0.068	0.1496
270	RD108-96750	BOLT KNOB	1			KTC KCL	0.01	0.022
280	05525-60600	PIN SNAP	1			KTC KCL	0.001	0.0022
290	04013-60060	WASHER PLAIN	3			KTC KCL	0.001	0.0022

COVER (LEFT)

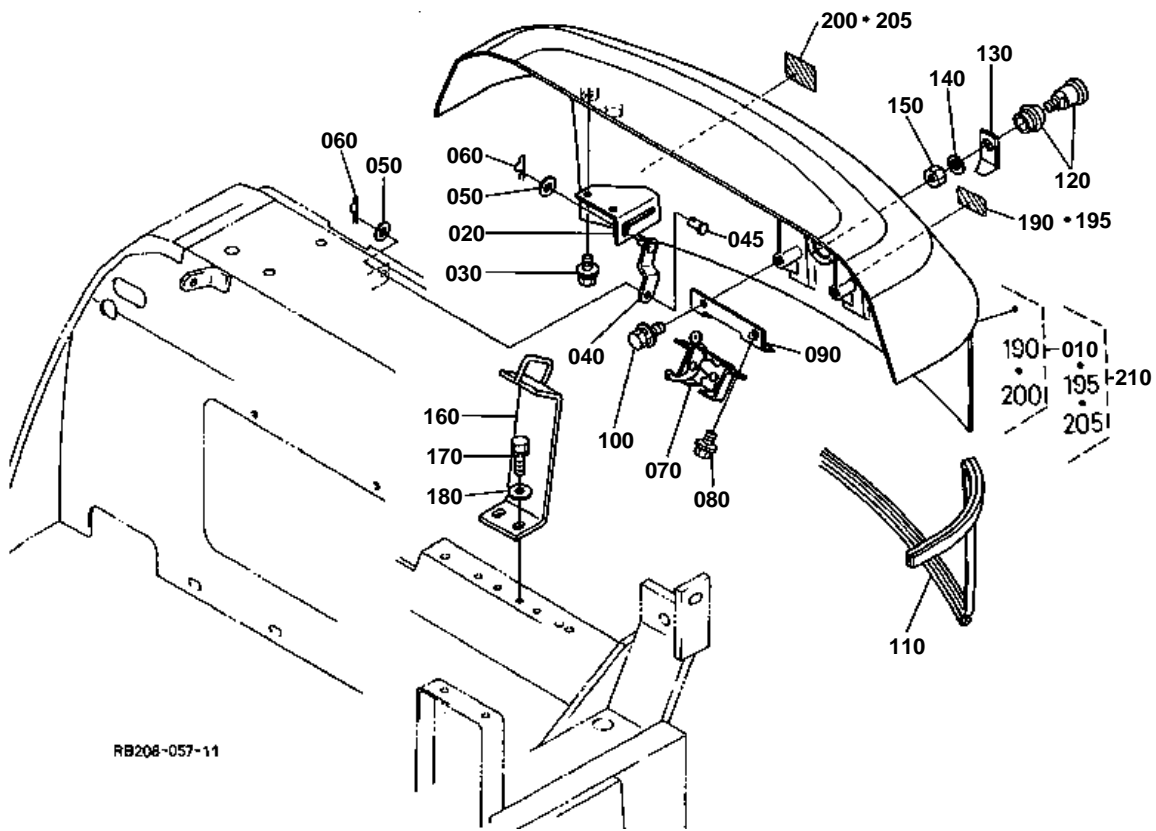


**COVER (LEFT)**

↔ Interchangeable; ≠ not interchangeable; ← new for old; → old for new

REF.No	Part No.	Description	Q'ty	S.No.	I/C	REMARKS	Weight (kgf)	Weight (lb)
010	RC101-44552	DAMPER	1				0.17	0.374
020	04013-60080	WASHER PLAIN	2				0.002	0.0044
030	05525-50800	PIN SNAP	2				0.001	0.0022
040	69181-48310	CUSHION	1				0.04	0.088
050	02114-60080	NUT	1				0.002	0.0044
060	RB208-91340	KIT COVER UPPER L(A)	1				0.6	1.32
070	03004-60820	SCREW WITH WASHER	2				0.012	0.0264
075	04013-60080	WASHER PLAIN	2				0.002	0.0044
080	03004-60620	SCREW WITH WASHER	2				0.005	0.011
085	04013-60060	WASHER PLAIN	2				0.001	0.0022
090	RB208-91330	KIT PLATE(A)	1				0.083	0.1826
100	RC108-91310	KIT COVER LOWER L(A)	1				0.5	1.1
110	03004-60820	SCREW WITH WASHER	3				0.012	0.0264
120	04013-60080	WASHER PLAIN	3				0.002	0.0044
130	RC101-57810	LABEL SET	1				0.001	0.0022
140	68308-57290	LABEL	1			ENGLISH	0.001	0.0022
145	RC108-58660	LABEL	1			FRENCH	0.001	0.0022
150	RB208-57620	LABEL	1			ENGLISH	0.003	0.0066
155	RB208-57660	LABEL	1			FRENCH	0.001	0.0022
160	RB208-91640	KIT COVER UPPER L(B)	1				0.56	1.232
170	RC108-57530	LABEL LEVER LOCK	1			ENGLISH	0.003	0.0066
175	RC108-58610	LABEL LEVER LOCK	1			FRENCH	0.001	0.0022
180	RC108-91610	KIT COVER LOWER L(B)	1				0.52	1.144
190	68658-57630	LABEL	1			ENGLISH	0.003	0.0066
195	RC108-57840	LABEL	1			FRENCH	0.001	0.0022
200	RB208-91630	KIT PLATE(B)	1				0.08	0.176

BONNET



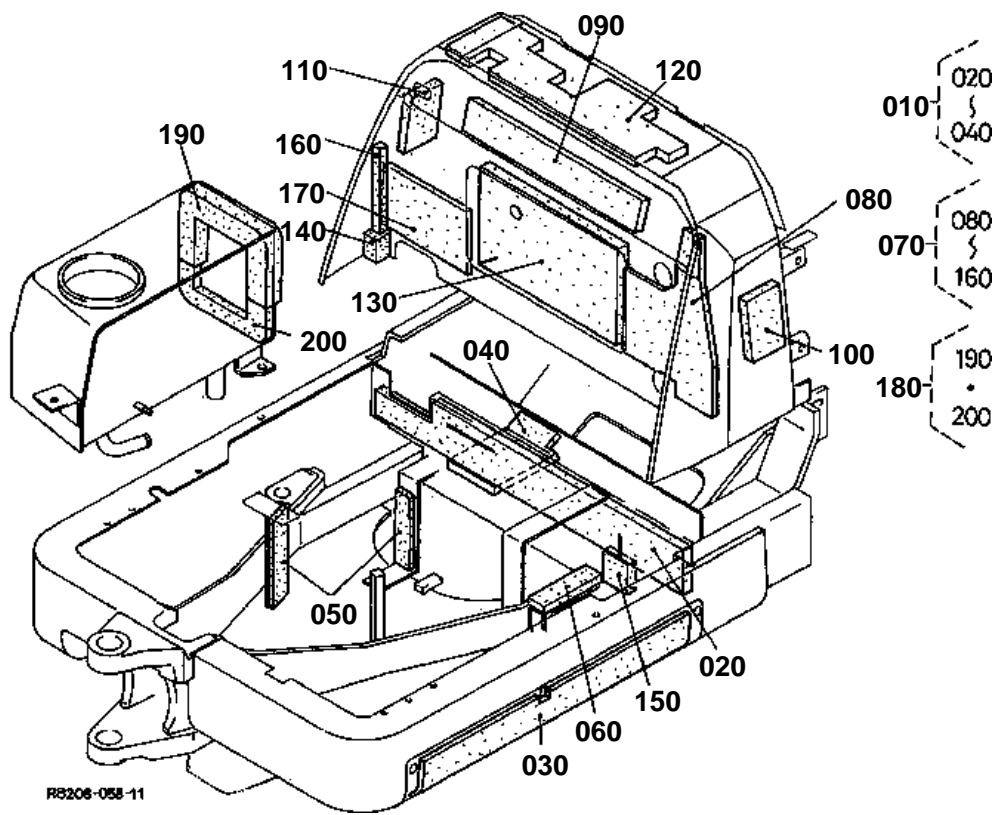
RB208-057-11

**BONNET**

↔ Interchangeable; ≠ not interchangeable; ← new for old; → old for new

REF.No	Part No.	Description	Q'ty	S.No.	I/C	REMARKS	Weight (kgf)	Weight (lb)
010	RB208-91410	KIT BONNET (A)	1				5.5	12.1
020	RB101-43460	BRACKET LINK	1				0.21	0.462
030	01125-60816	BOLT	2				0.01	0.022
040	RB101-43470	LINK	1				0.06	0.132
045	05122-50816	PIN JOINT	1				0.007	0.0154
050	04013-60080	WASHER PLAIN	2				0.002	0.0044
060	05515-60800	PIN SNAP	2				0.002	0.0044
070	RB101-43420	HOOK BONNET	1				0.165	0.363
080	01025-60616	BOLT	2				0.01	0.022
090	RB101-43480	BRACKET HOOK	1				0.12	0.264
100	01125-60816	BOLT	2				0.01	0.022
110	RB101-43510	TRIM	1				0.23	0.506
120	RC101-43540	ASSY LOCK CYLINDER	1				0.12	0.264
130	RB101-43564	PLATE	1				0.043	0.0946
140	04512-60100	WASHER SPRING	1				0.002	0.0044
150	02114-60100	NUT	1				0.008	0.0176
160	RB101-43570	BRACKET	1				0.9	1.98
170	01133-61025	BOLT	2				0.02	0.044
180	04013-60100	WASHER PLAIN	2				0.003	0.0066
190	RC108-57140	LABEL	1			ENGLISH	0.002	0.0044
195	RC108-58650	LABEL	1			FRENCH	0.001	0.0022
200	RC108-57180	LABEL	1			ENGLISH	0.003	0.0066
205	RC108-58670	LABEL	1			FRENCH	0.001	0.0022
210	RB208-91710	KIT BONNET (B)	1				5.2	11.44

SPONGE (1)

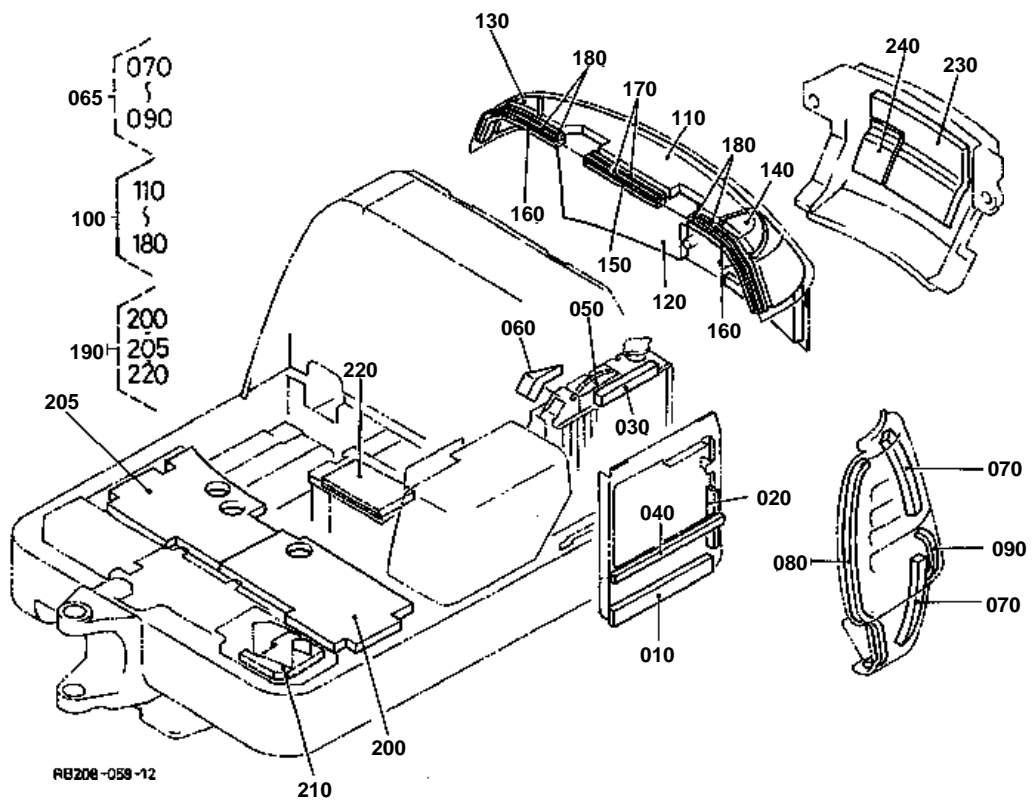


**SPONGE (1)**

↔ Interchangeable; ≠ not interchangeable; ← new for old; → old for new

REF.No	Part No.	Description	Q'ty	S.No.	I/C	REMARKS	Weight (kgf)	Weight (lb)
010	RB208-41500	KIT SPONGE	1				0.2	0.44
020	RB208-41510	SPONGE	1				0.06	0.132
030	RB101-41530	SPONGE	1				0.015	0.033
040	RB101-41540	SPONGE	1				0.015	0.033
050	RB101-41570	CUSHION	2				0.011	0.0242
060	RB101-41580	CUSHION	1				0.03	0.066
070	RB208-41600	KIT SPONGE	1				0.32	0.704
080	RB208-41620	SPONGE	1				0.033	0.0726
090	RB208-41630	SPONGE	1				0.03	0.066
100	RB208-41640	SPONGE	1				0.01	0.022
110	RB208-41690	PLATE PARTITION	1				0.007	0.0154
120	RB208-41660	SPONGE	1				0.05	0.11
130	RB101-41673	SPONGE	1				0.082	0.1804
140	RB301-41650	SPONGE	1				0.008	0.0176
150	RB301-41740	PLATE PARTITION	1				0.013	0.0286
160	RB301-41660	SPONGE	1				0.002	0.0044
170	RB208-41740	PLATE PARTITION	1				0.026	0.0572
180	RB101-62500	KIT SPONGE	1				0.054	0.1188
190	RB101-62510	SPONGE	1				0.026	0.0572
200	RB101-62520	SPONGE	1				0.011	0.0242

SPONGE (2)

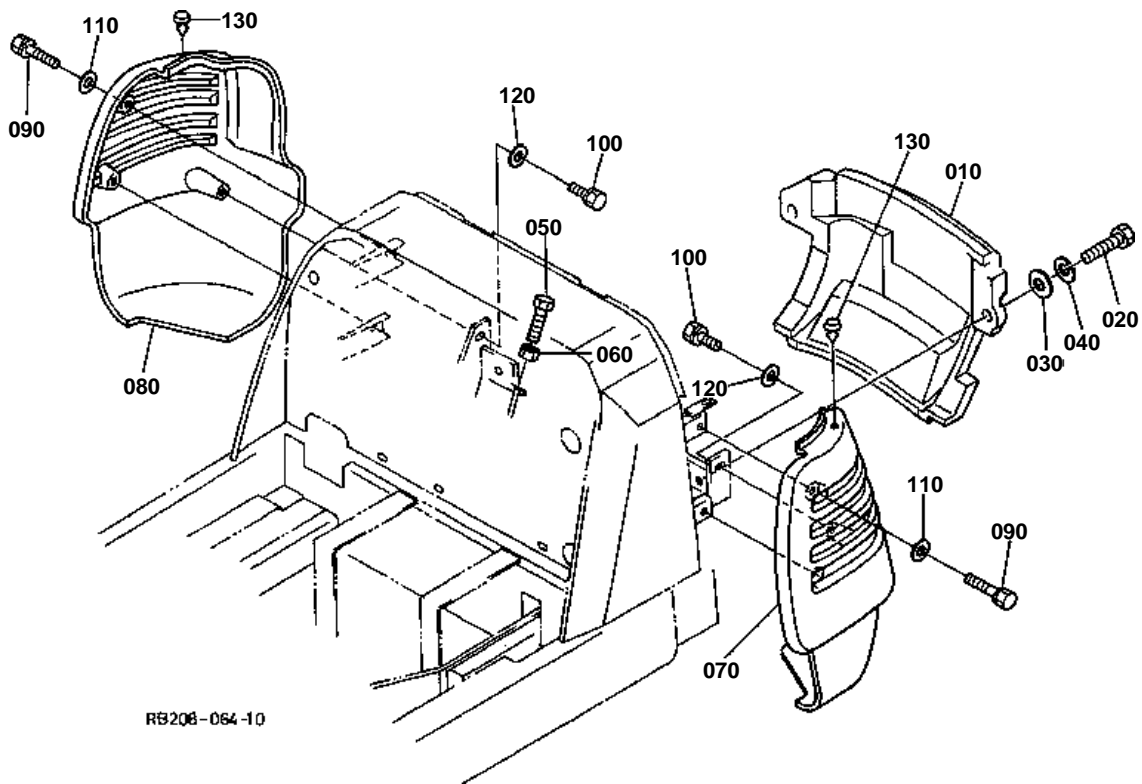




SPONGE (2)

↔ Interchangeable; ≠ not interchangeable; ← new for old; → old for new

REF.No	Part No.	Description	Q'ty	S.No.	I/C	REMARKS	Weight (kgf)	Weight (lb)
010	RB101-42730	SPONGE	1				0.01	0.022
020	RB201-42730	SPONGE	1				0.012	0.0264
030	RB201-42710	SPONGE	1				0.012	0.0264
040	RB201-42720	SPONGE	1				0.02	0.044
050	RB101-42750	SPONGE	1				0.003	0.0066
060	RB301-42750	SPONGE	1				0.012	0.0264
065	RB201-42703	KIT SPONGE	1				0.195	0.429
070	RB101-42710	SPONGE	2				0.03	0.066
080	RB101-42770	SPONGE	2				0.008	0.0176
090	RB101-42780	SPONGE	2				0.01	0.022
100	RB101-43600	KIT SPONGE	1				0.45	0.99
110	RB101-43610	SPONGE	1				0.08	0.176
120	RB101-43620	SPONGE	1				0.27	0.594
130	RB101-43630	SPONGE	1				0.02	0.044
140	RB101-43640	SPONGE	1				0.02	0.044
150	RB101-43650	SPONGE	1				0.01	0.022
160	RB101-43660	SPONGE	2				0.012	0.0264
170	RB101-43670	SPONGE	2				0.002	0.0044
180	RB101-43680	SPONGE	4				0.005	0.011
190	RB208-44802	KIT SPONGE	1				0.35	0.77
200	RB208-44810	SPONGE	1				0.08	0.176
205	RB208-44872	SPONGE	1	≤11244			0.07	0.154
205	RB208-44872	SPONGE	1	≥11245	←		0.07	0.154
210	RB101-44820	SPONGE	1				0.02	0.044
220	RB101-44830	SPONGE	1				0.04	0.088
230	RB201-48510	SPONGE	1				0.03	0.066
240	RB201-48520	SPONGE	1				0.006	0.0132

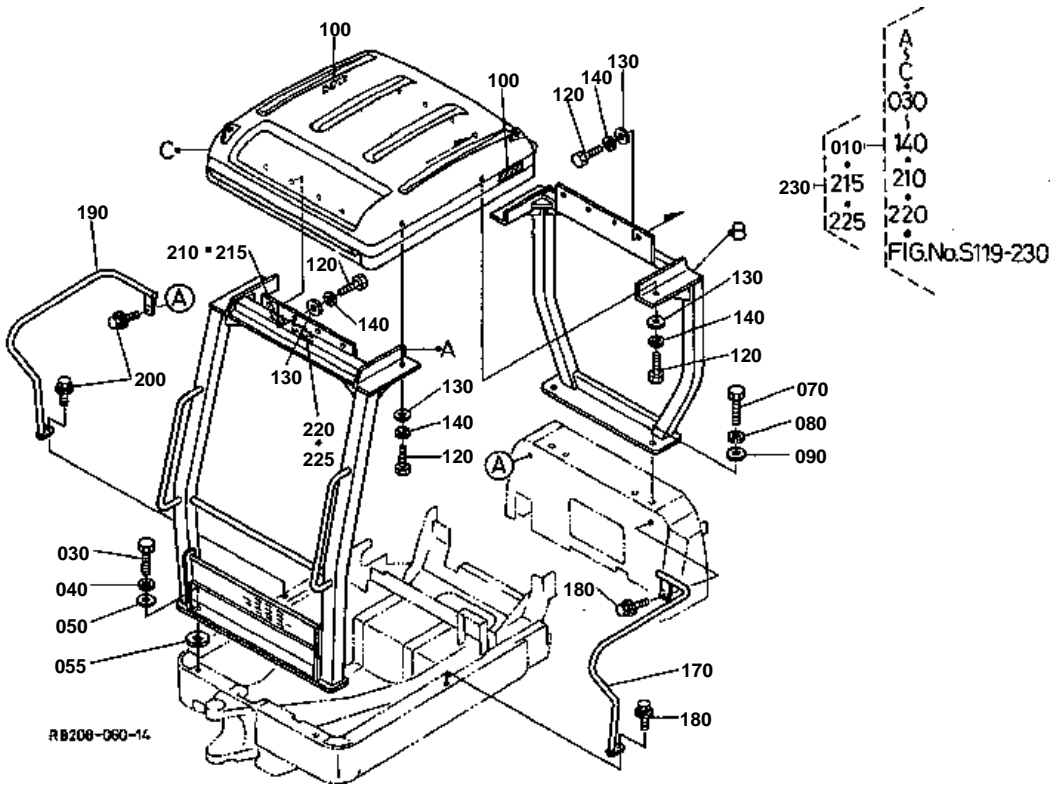


**WEIGHT**

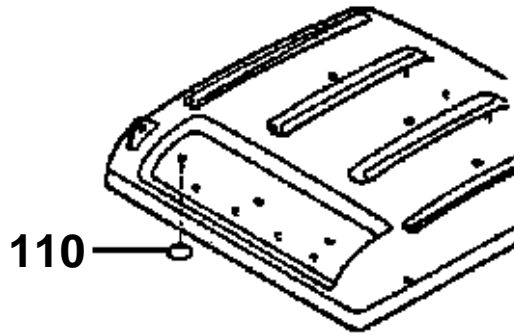
↔ Interchangeable; ≠ not interchangeable; ← new for old; → old for new

REF.No	Part No.	Description	Q'ty	S.No.	I/C	REMARKS	Weight (kgf)	Weight (lb)
010	RB208-48230	PROTECTOR REAR	1				67	147.4
020	01173-61655	BOLT	2				0.11	0.242
030	04015-60160	WASHER PLAIN	2				0.058	0.1276
040	04512-60160	WASHER SPRING	2				0.01	0.022
050	01175-61045	BOLT	2				0.04	0.088
060	02118-60100	NUT	2				0.006	0.0132
070	RB108-48310	PROTECTOR LH	1				34	74.8
080	RB108-48320	PROTECTOR RH	1				33.5	73.7
090	01133-61045	BOLT	4				0.035	0.077
100	01133-61025	BOLT	2				0.02	0.044
110	53511-27170	WASHER	4				0.007	0.0154
120	04015-60100	WASHER PLAIN	2				0.015	0.033
130	90545-11340	PLUG	2				0.002	0.0044

CANOPY



110 RB108-5785-0



RB208-802-10

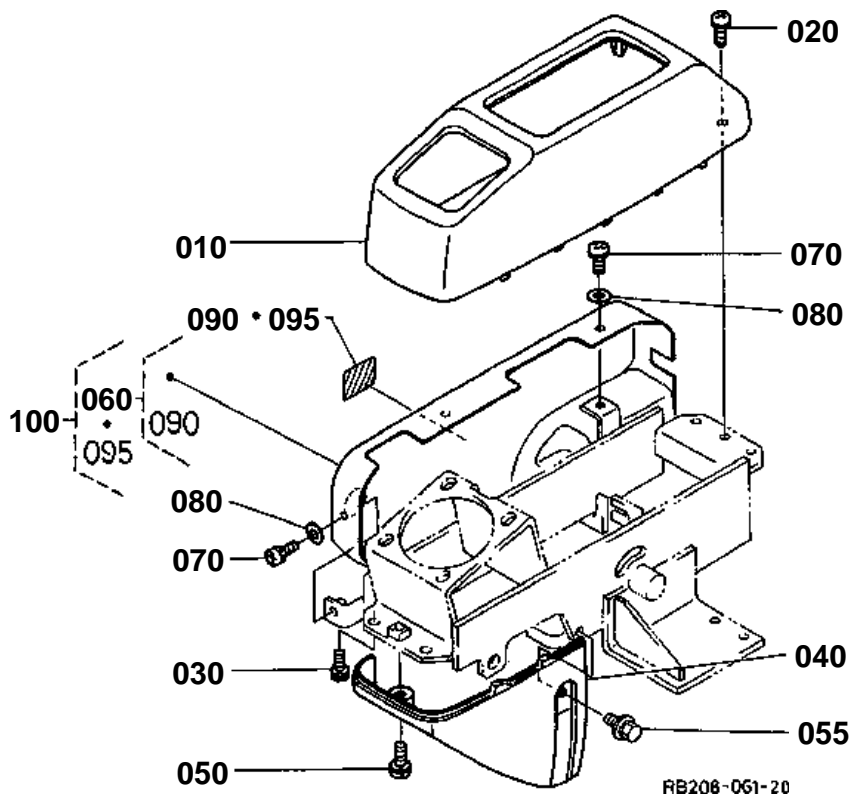


CANOPY

↔ Interchangeable; ≠ not interchangeable; ← new for old; → old for new

REF.No	Part No.	Description	Q'ty	S.No.	I/C	REMARKS	Weight (kgf)	Weight (lb)
010	RB208-91460	KIT CANOPY.ROPS(A)	1	≤11522			0	0
010	RB208-91462	KIT CANOPY.ROPS(A)	1	≥11523	←		200	440
020	99999-99999	BLANK	0				0	0
030	01176-61650	BOLT	2				0.1	0.22
040	04512-60160	WASHER SPRING	2				0.01	0.022
050	04012-60160	WASHER PLAIN	2	≤11025			0.008	0.0176
050	04013-60160	WASHER PLAIN	2	≥11026	≠		0.01	0.022
055	04011-60160	WASHER PLAIN	2				0.01	0.022
060	99999-99999	BLANK	0				0	0
070	01176-61650	BOLT	2				0.1	0.22
080	04512-60160	WASHER SPRING	2				0.01	0.022
090	04012-60160	WASHER PLAIN	2	≤11025			0.008	0.0176
090	04013-60160	WASHER PLAIN	2	≥11026	≠		0.01	0.022
100	RB208-57830	MARK KUBOTA	2	≥11018			0.004	0.0088
110	RB108-57850	MARK	6	≤11190			0.001	0.0022
120	01176-61240	BOLT	12				0.044	0.0968
130	69110-42120	WASHER	12				0.018	0.0396
140	04512-60120	WASHER SPRING	12				0.005	0.011
150	99999-99999	BLANK	0				0	0
160	99999-99999	BLANK	0				0	0
170	RB208-44320	RAIL HAND LH	1				2.5	5.5
180	01135-61230	BOLT	2				0.05	0.11
190	RB208-44330	RAIL HAND RH	1				8	17.6
200	01135-61230	BOLT	2				0.05	0.11
210	68198-57770	LABEL	1			ENGLISH	0.002	0.0044
215	R2401-57460	LABEL ROPS	1			FRENCH	0.001	0.0022
220	68328-57890	LABEL	1			ENGLISH	0.003	0.0066
225	RC108-57890	LABEL	1			FRENCH	0.001	0.0022
230	RB208-91760	KIT CANOPY.ROPS(B)	1	≤11522			0	0
230	RB208-91762	KIT CANOPY.ROPS(B)	1	≥11523	←		0	0

INSTRUMENT PANEL

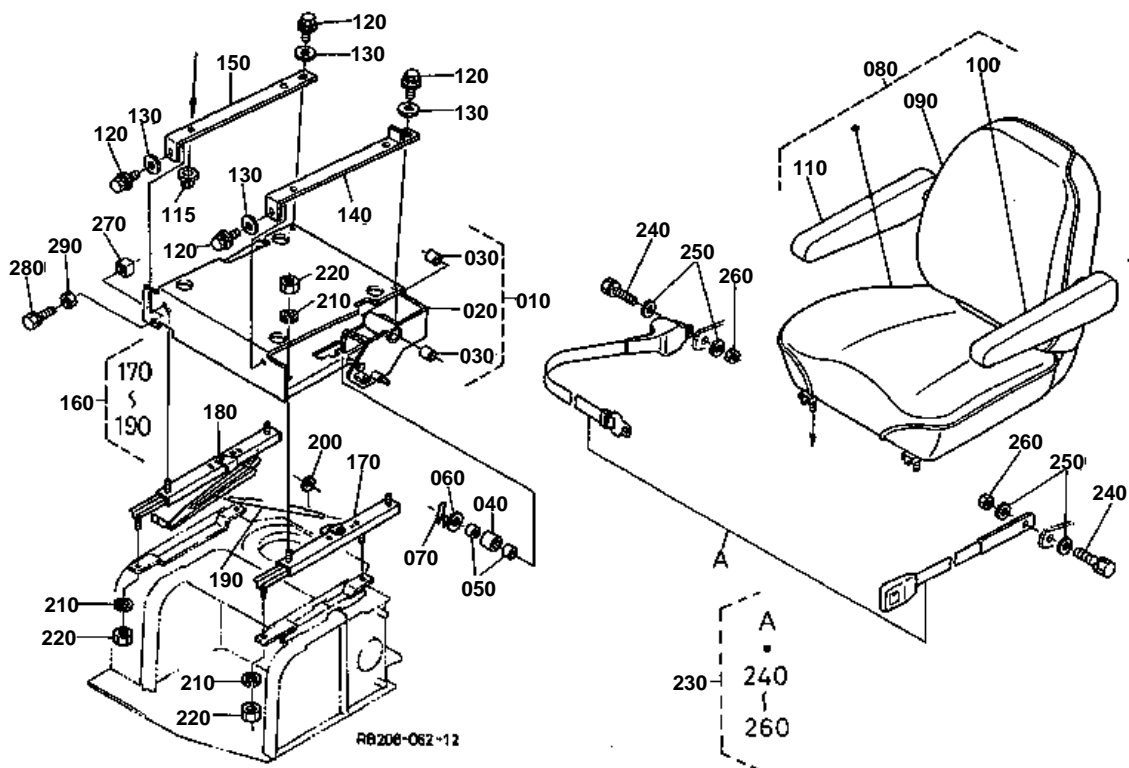




INSTRUMENT PANEL

↔ Interchangeable; ≠ not interchangeable; ← new for old; → old for new

REF.No	Part No.	Description	Q'ty	S.No.	I/C	REMARKS	Weight (kgf)	Weight (lb)
010	RC101-44740	COVER UPPER RH	1				0.6	1.32
020	03004-60820	SCREW WITH WASHER	2				0.012	0.0264
030	03004-60620	SCREW WITH WASHER	2				0.005	0.011
040	RC101-44730	COVER RH LOWER	1				0.3	0.66
050	03004-60820	SCREW WITH WASHER	1				0.012	0.0264
055	01125-60820	BOLT	1				0.015	0.033
060	RB208-91320	KIT COVER SIDE(A)	1				0.5	1.1
070	55571-41250	SCREW CR-REC-BD-HD	4				0.004	0.0088
080	33740-54090	WASHER PLAIN	4				0.003	0.0066
090	RB208-57620	LABEL	1			ENGLISH	0.003	0.0066
095	RB208-57660	LABEL	1			FRENCH	0.001	0.0022
100	RB208-91620	KIT COVER SIDE(B)	1				3.5	7.7



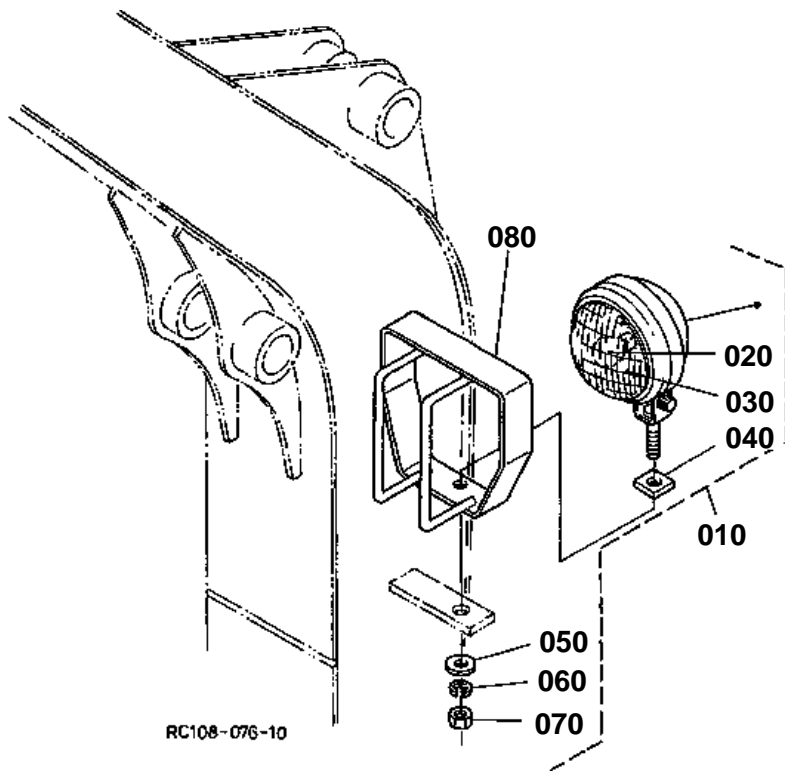


SEAT

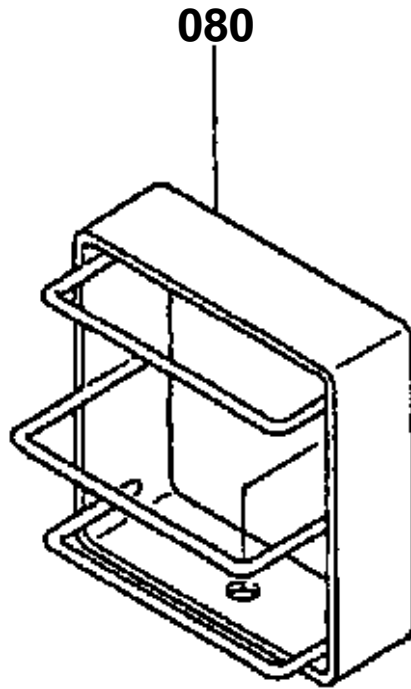
↔ Interchangeable; ≠ not interchangeable; ← new for old; → old for new

REF.No	Part No.	Description	Q'ty	S.No.	I/C	REMARKS	Weight (kgf)	Weight (lb)
010	RB208-38090	ASSY SUPPORT SEAT	1				8	17.6
020	RB208-38120	SUPPORT SEAT	1				22	48.4
030	08511-02020	BUSH	2				0.01	0.022
040	RC101-38160	COLLAR	1				0.009	0.0198
050	08511-01008	BUSH	2				0.002	0.0044
060	04013-60100	WASHER PLAIN	1				0.003	0.0066
070	05525-61000	PIN SNAP	1				0.002	0.0044
080	RC108-38000	ASSY SEAT	1				12.5	27.5
090	RC108-38030	ASSY BACK	1				1	2.2
100	RC108-38050	ASSY LEST ARM L	1				0.68	1.496
110	RC108-38060	ASSY LEST ARM R	1				0.68	1.496
115	02751-60080	NUT FLANGE	4				0.006	0.0132
120	01125-60825	BOLT	4				0.016	0.0352
130	04013-60080	WASHER PLAIN	4				0.002	0.0044
140	RB208-38180	PLATE SEAT	1				0.57	1.254
150	RB208-38190	PLATE SEAT	1				0.6	1.32
160	RB208-38010	ASSY RAIL SLIDE	1				2.45	5.39
170	RC101-38040	RAIL SLIDE LH	1				1	2.2
180	RC101-38050	RAIL SLIDE RH	1				1.3	2.86
190	RB208-38060	WIRE	1				0.005	0.011
200	04012-50040	WASHER PLAIN	2				0.001	0.0022
210	04512-60120	WASHER SPRING	8				0.005	0.011
220	02114-60120	NUT	8				0.011	0.0242
230	RB208-94600	KIT BELT SEAT	1				1.045	2.299
240	01138-61025	BOLT	2				0.25	0.55
250	04013-60100	WASHER PLAIN	4				0.003	0.0066
260	02118-60100	NUT	2				0.006	0.0132
270	RC101-38190	BLOCK	1				0.038	0.0836
280	01123-60820	BOLT	1				0.015	0.033
290	02112-60080	NUT	1				0.005	0.011

LIGHT



080 68328-5345-0

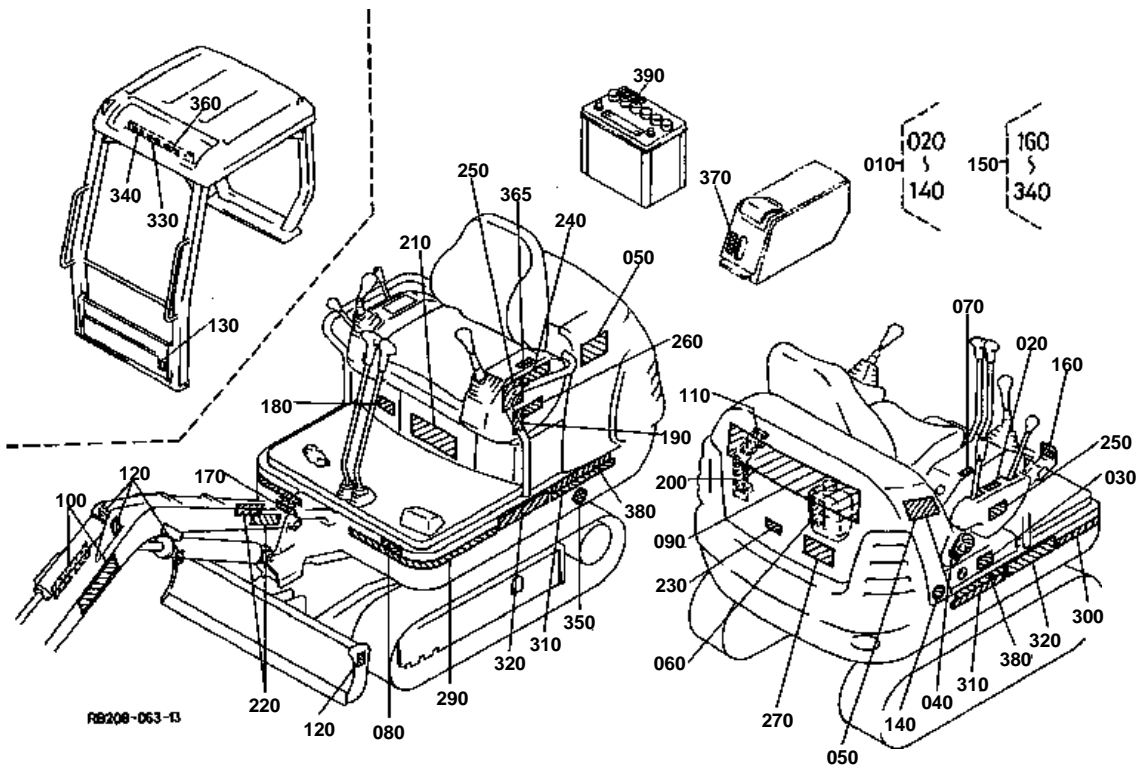


RC108-802-10

**LIGHT**

↔ Interchangeable; ≠ not interchangeable; ← new for old; → old for new

REF.No	Part No.	Description	Q'ty	S.No.	I/C	REMARKS	Weight (kgf)	Weight (lb)
010	RC101-53670	ASSY LAMP ELECTRIC	1				0.48	1.056
020	68311-53440	BULB	1				0.03	0.066
030	68311-53450	LENS	1				0.11	0.242
040	68311-53460	CUSHION	1				0.01	0.022
050	04013-60100	WASHER PLAIN	1				0.003	0.0066
060	04512-60100	WASHER SPRING	1				0.002	0.0044
070	02118-60100	NUT	1				0.006	0.0132
080	RC108-53580	GUARD LIGHT	1	≤11277			0.83	1.826
080	RC108-53580	GUARD LIGHT	1	≥11278	←		0.83	1.826



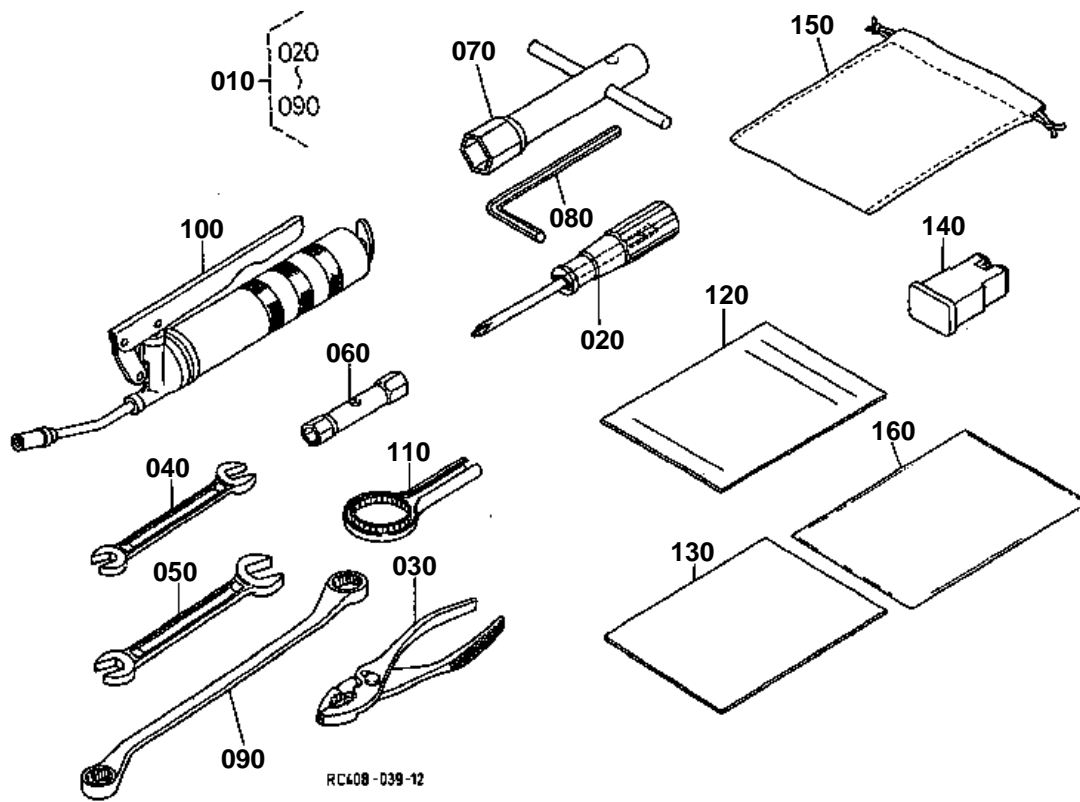


LABEL

↔ Interchangeable; ≠ not interchangeable; ← new for old; → old for new

REF.No	Part No.	Description	Q'ty	S.No.	I/C	REMARKS	Weight (kgf)	Weight (lb)
010	RB208-58200	KIT LABEL	1				0.836	1.8392
020	RC101-57430	LABEL	1				0.001	0.0022
030	RC108-57470	LABEL	1				0.001	0.0022
040	R2401-57360	LABEL FUEL	1				0.001	0.0022
050	RC108-57270	LABEL	2				0.003	0.0066
060	TA040-49580	LABEL MUFFLER	1				0.001	0.0022
070	RC101-57610	LABEL ACCEL.	1				0.001	0.0022
080	68709-57250	MARK KUBOTA	1				0.005	0.011
090	RB208-57290	MARK KUBOTA	1				0.025	0.055
100	RB208-57280	MARK KUBOTA	2				0.006	0.0132
110	TA040-49570	LABEL FAN WARNING	1				0.002	0.0044
120	RC108-57960	LABEL	4				0.001	0.0022
130	RC108-57680	LABEL	1				0.001	0.0022
140	RB208-57820	LABEL 1	1				0.001	0.0022
150	RB208-58300	KIT LABEL	1				0.12	0.264
160	RC108-57570	LABEL SWING SP	1				0.005	0.011
170	RC108-57450	LABEL	1	≤11032			0.001	0.0022
170	RB208-57450	LABEL	1	≥11033	←		0.001	0.0022
180	68548-57422	LABEL	1				0.002	0.0044
190	RC108-57530	LABEL LEVER LOCK	1				0.003	0.0066
200	RC108-57540	LABEL	1				0.001	0.0022
210	68198-57790	LABEL CAUTION	1				0	0
220	68328-57350	LABEL WARNING	2				0.003	0.0066
230	RC108-57140	LABEL	1				0.002	0.0044
240	68308-57290	LABEL	1				0.001	0.0022
250	RB208-57620	LABEL	2				0.003	0.0066
260	RC108-57432	LABEL	1				0.05	0.11
270	RC108-57180	LABEL	1				0.003	0.0066
280	99999-99999	BLANK	0				0	0
290	RB208-57130	MARK	1				0.007	0.0154
300	RB208-57140	MARK	1				0.003	0.0066
310	RB208-57150	MARK FRAME	2				0.002	0.0044
320	RB208-57170	MARK	2				0.006	0.0132
330	68328-57890	LABEL	1				0.003	0.0066
340	68198-57770	LABEL	1				0.002	0.0044
350	RC108-57970	LABEL	1				0	0
360	68328-57410	LABEL	1			KTA	0.003	0.0066
365	68658-57630	LABEL	1			KTC KCL	0.003	0.0066
370	RD108-57820	LABEL	1			KTC KCL	0.002	0.0044
380	68658-57650	LABEL CAUTION	2			KTC KCL	0.005	0.011
390	6C040-55590	LABEL BATTERY	1	≥11415			0.001	0.0022

ACCESSORIES

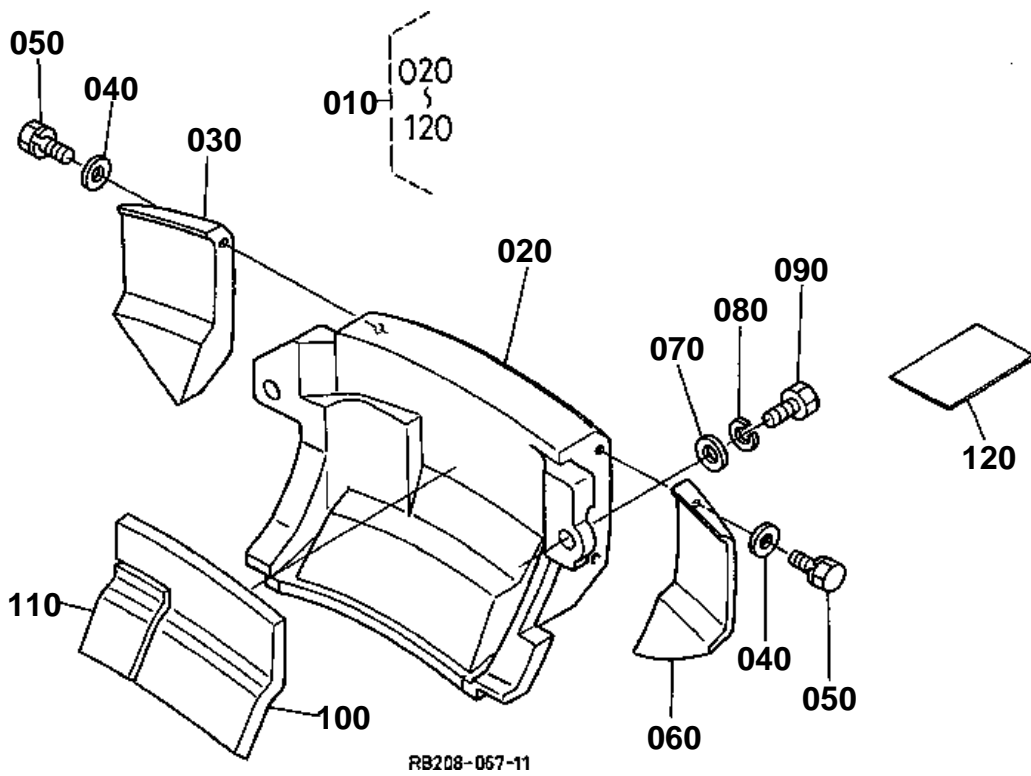


**ACCESSORIES**

↔ Interchangeable; ≠ not interchangeable; ← new for old; → old for new

REF.No	Part No.	Description	Q'ty	S.No.	I/C	REMARKS	Weight (kgf)	Weight (lb)
010	68311-81105	KIT TOOLS	1				1.04	2.288
020	32360-19300	SCREW DRIVER	1				0.07	0.154
030	07211-10150	PLIERS	1				0.16	0.352
040	07012-11012	SPANNER	1				0.041	0.0902
050	07012-11417	SPANNER	1				0.084	0.1848
060	07013-01012	WRENCH(SOCKET)	1				0.144	0.3168
070	07013-00022	WRENCH SOCKET	1				0.225	0.495
080	07014-00008	SPANNER	1				0.052	0.1144
090	07018-81922	SPANNER RING	1				0.312	0.6864
100	68061-81110	SQUEEZER GREASE	1	<=11794			1.75	3.85
100	RB208-81110	SQUEEZER GREASE	1	>=11795	↔		1.3	2.86
110	15241-86612	WRENCH FILTER	1				0.115	0.253
120	RC408-81240	MANUAL INSTRUCTION	1	<=11363			0	0
120	RC408-81244	MANUAL INSTRUCTION	1	>=11364	←		0.235	0.517
130	RB208-81290	LIST PARTS	1	<=11522			0	0
130	RB208-81293	LIST PARTS	1	>=11523	←		0.2	0.44
130	RB208-81294	LIST PARTS	1	>=11773	←		0.2	0.44
140	34670-34530	FUSE	1				0.003	0.0066
150	68311-81130	BAG TOOLS	1				0.03	0.066
160	R2401-81310	BAG INSTRUCTION MAN.	1				0.11	0.242

WEIGHT KIT

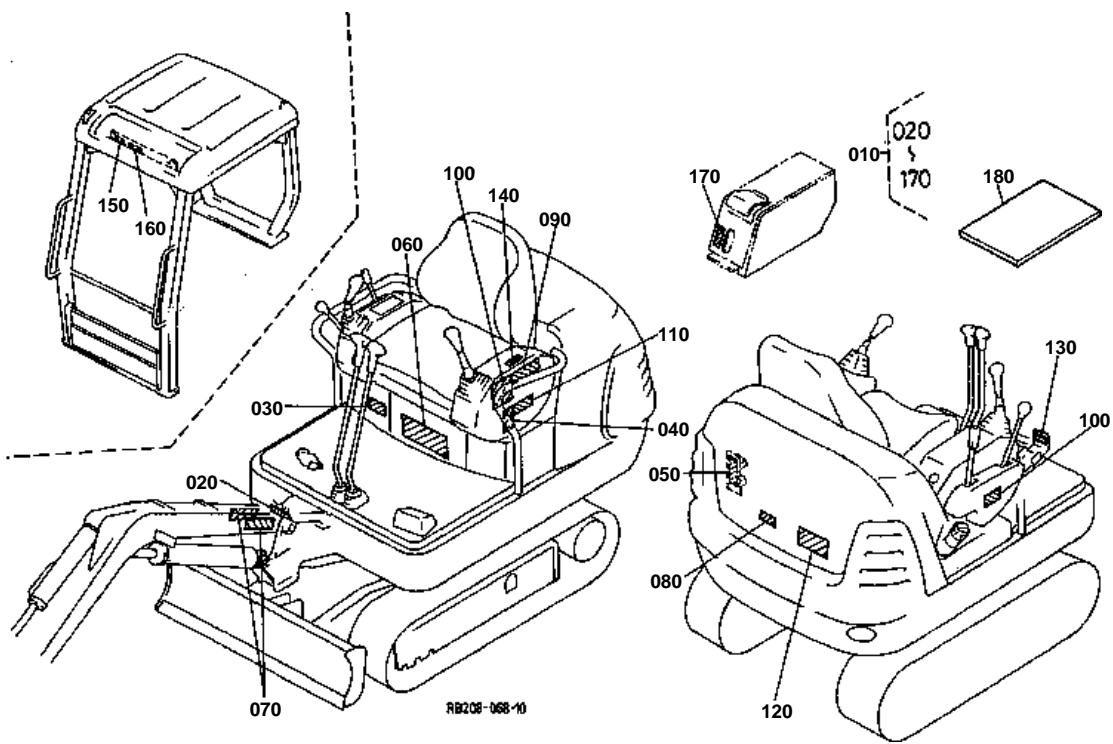


**WEIGHT KIT**

↔ Interchangeable; ≠ not interchangeable; ← new for old; → old for new

REF.No	Part No.	Description	Q'ty	S.No.	I/C	REMARKS	Weight (kgf)	Weight (lb)
010	RB208-90100	KIT WEIGHT	1	≤11309			0	0
010	RB208-90102	KIT WEIGHT	1	≥11310	←		120	264
020	RB108-48430	PROTECTOR REAR	1				73.96	162.712
030	RB108-48490	PROTECTOR REAR RH	1				6.84	15.048
040	04013-60120	WASHER PLAIN	4				0.01	0.022
050	01133-61030	BOLT	4				0.023	0.0506
060	RB108-48480	PROTECTOR REAR LH	1				6.78	14.916
070	04015-60160	WASHER PLAIN	2				0.058	0.1276
080	04512-60160	WASHER SPRING	2				0.01	0.022
090	01173-61655	BOLT	2				0.11	0.242
100	RB201-48510	SPONGE	1				0.03	0.066
110	RB201-48520	SPONGE	1				0.006	0.0132
120	RB208-90110	MANUAL INSTRUCTION	1	≥11310			0.001	0.0022

LABEL KIT





LABEL KIT

↔ Interchangeable; ≠ not interchangeable; ← new for old; → old for new

REF.No	Part No.	Description	Q'ty	S.No.	I/C	REMARKS	Weight (kgf)	Weight (lb)
010	RB208-58600	KIT LABEL(KCL)	1				0	0
020	RB208-57440	LABEL	1				0.001	0.0022
030	RC308-57420	LABEL	1				0.001	0.0022
040	RC108-58610	LABEL LEVER LOCK	1				0.001	0.0022
050	RC108-58620	LABEL	1				0.001	0.0022
060	RC108-58630	LABEL CAUTION	1				0	0
070	RC108-58640	LABEL WARNING	2				0.001	0.0022
080	RC108-58650	LABEL	1				0.001	0.0022
090	RC108-58660	LABEL	1				0.001	0.0022
100	RB208-57660	LABEL	2				0.001	0.0022
110	RC308-57430	LABEL	1				0.001	0.0022
120	RC108-58670	LABEL	1				0.001	0.0022
130	RC108-57590	LABEL SWING SP	1				0.001	0.0022
140	RC108-57840	LABEL	1				0.001	0.0022
150	R2401-57460	LABEL ROPS	1				0.001	0.0022
160	RC108-57890	LABEL	1				0.001	0.0022
170	RC108-58690	LABEL	1				0.001	0.0022
180	RC408-81250	MANUAL INSTRUCTION	1	<=11581			0	0
180	RC408-81252	MANUAL INSTRUCTION	1	>=11582	←		0.24	0.528